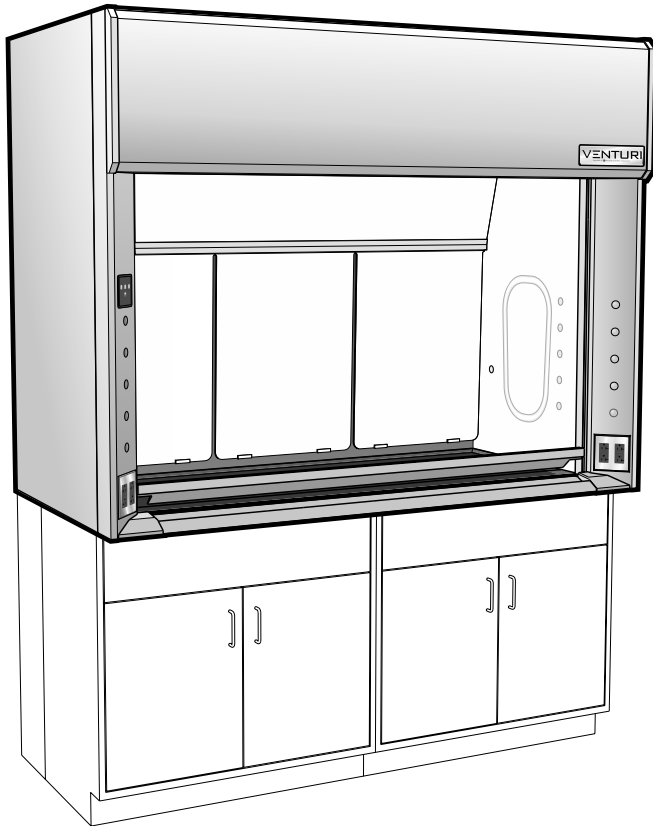


V05 – General Purpose Bench Fume Hood with Vertical Rising Sash



Accessories Included:

- 4 120 VAC 20 amp GFCI* protected duplex receptacles
** when wired to a single circuit, as standard with Option U*
- 1 LED light fixture with illumination and color controller
- 1 Electromechanical sash stop with push button override

Available Sizes:

part no.
code

Sash Opening Height:	
28 inches / 711mm	28
Inside Depth:	
24 inches / 610mm	24
30 inches / 762mm	30
36 inches / 914mm	36
Overall Length:	
48 inches / 1219mm	48
60 inches / 1524mm	60
72 inches / 1829mm	72
96 inches / 2438mm	96

Available Liner Types:

part no.
code

Kemglass	G
Fiberglass reinforced polyester 1805 UL classified	
KMER	K
Kewaunee Modified Epoxy Resin	
Type 316L Stainless Steel	L
1805 UL classified	
Type 304L Stainless Steel	S
1805 UL classified	
Phenolic Resin	T

Additional Parts Required for a Complete Fume Hood Assembly

Work Top	see page 58
Cupsink	see page 60
Ceiling Enclosure	see page 61
Service Fittings	see page 62
Base Cabinets	see page 66

Available Sash Frames:

part no.
code

Frameless	N
Powder Coated Steel	M
Type 304L Stainless Steel	S

Sash Opening Height	Inside Depth	Overall Length	Liner Type	Sash Frame	Sash Glass	Fitting Holes	Electrical Fixture	Option Choices (separated by commas)
V05F	28	<input type="text"/>	<input type="text"/>	<input type="text"/>	<input type="text"/>	<input type="text"/>	<input type="text"/>	<input type="text"/> , <input type="text"/> , ...

Technical Information

V05

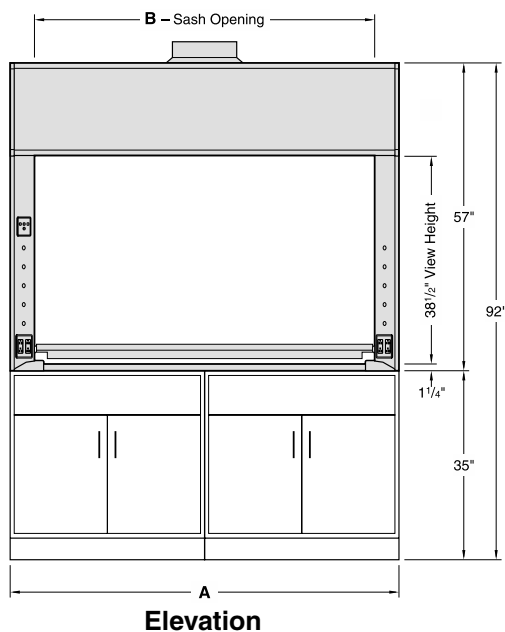
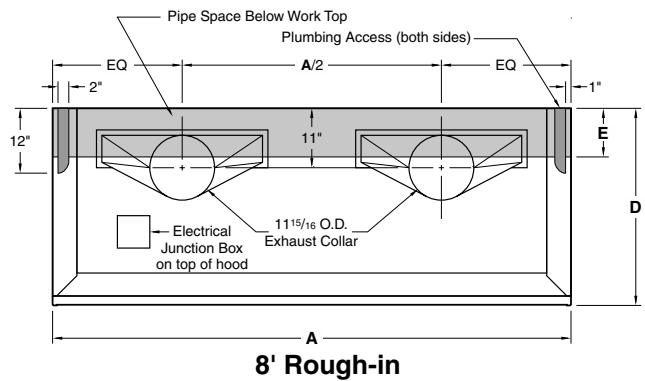
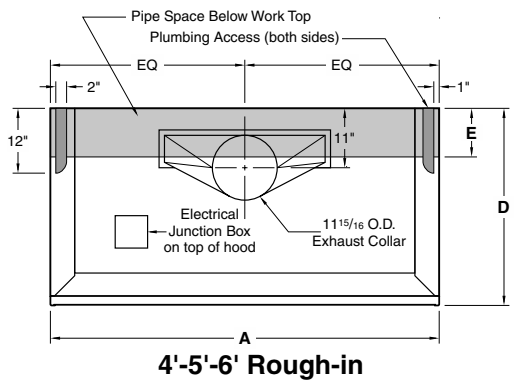
Airflow (CFM) Requirements

Face Velocity	28" High Sash Opening								18" High Sash Opening							
	4'-0" / 48"		5'-0" / 60"		6'-0" / 72"		8'-0" / 96"		4'-0" / 48"		5'-0" / 60"		6'-0" / 72"		8'-0" / 96"	
	CFM	SP	CFM	SP	CFM	SP	CFM	SP	CFM	SP	CFM	SP	CFM	SP	CFM	SP
100 FPM	790	0.40	1030	0.50	1270	0.60	1750	0.45	510	0.20	670	0.25	830	0.30	1150	0.20
80 FPM	630	0.25	820	0.35	1020	0.40	1400	0.30	410	0.15	540	0.15	670	0.20	920	0.15
60 FPM	470	0.15	620	0.20	760	0.25	1050	0.20	310	0.10	400	0.10	500	0.10	690	0.10
50 FPM	390	0.10	510	0.15	630	0.15	880	0.10	260	0.05	340	0.10	420	0.10	570	0.05

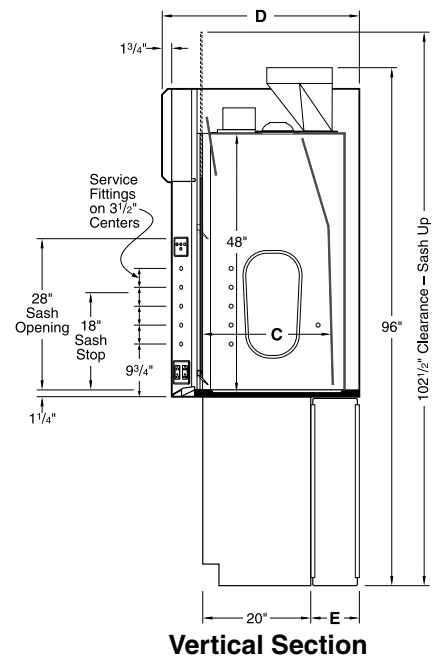
Static pressures shown are for the pressure drop through the hoods only. The total pressure drop through the hood and the duct system must be calculated to select the proper exhaust fan.

ANSI Z9.5 Minimum Flow Rate

Inside Depth	150 Air Changes/Hour				375 Air Changes/Hour			
	4'-0" / 48"	5'-0" / 60"	6'-0" / 72"	8'-0" / 96"	4'-0" / 48"	5'-0" / 60"	6'-0" / 72"	8'-0" / 96"
24" deep	80 CFM	100 CFM	120 CFM	170 CFM	190 CFM	240 CFM	300 CFM	410 CFM
30" deep	90 CFM	120 CFM	150 CFM	200 CFM	230 CFM	290 CFM	360 CFM	500 CFM
36" deep	110 CFM	140 CFM	170 CFM	240 CFM	270 CFM	350 CFM	430 CFM	590 CFM



Dimensions - Length				
A	48"	60"	72"	96"
B	39"	51"	63"	87"



Dimensions - Depth			
C	24"	30"	36"
D	36 1/2"	42 1/2"	48 1/2"
E	9"	15"	21"

V06 – General Purpose Bench Fume Hood with Combination Vertical Rising/Horizontal Sash



Accessories Included:

- 4 120 VAC 20 amp GFCI* protected duplex receptacles
** when wired to a single circuit, as standard with Option U*
- 1 LED light fixture with illumination and color controller
- 1 Electromechanical sash stop with push button override

Available Sizes:

part no.
code

Sash Opening Height:	
28 inches / 711mm	28
Inside Depth:	
24 inches / 610mm	24
30 inches / 762mm	30
36 inches / 914mm	36
Overall Length:	
48 inches / 1219mm	48
60 inches / 1524mm	60
72 inches / 1829mm	72
96 inches / 2438mm	96

Available Liner Types:

part no.
code

Kemglass	G
Fiberglass reinforced polyester 1805 UL classified	
KMER	K
Kewaunee Modified Epoxy Resin	
Type 316L Stainless Steel	L
1805 UL classified	
Type 304L Stainless Steel	S
1805 UL classified	
Phenolic Resin	T

Additional Parts Required for a Complete Fume Hood Assembly

Work Top	see page 58
Cupsink	see page 60
Ceiling Enclosure	see page 61
Service Fittings	see page 62
Base Cabinets	see page 66

Available Sash Frames:

part no.
code

Powder Coated Steel	M
Type 304L Stainless Steel	S

Sash Opening Height Inside Depth Overall Length Liner Type Sash Frame Sash Glass Fitting Holes Electrical Fixture Option Choices (separated by commas)

V06F 28 - - , ...

Technical Information

V06

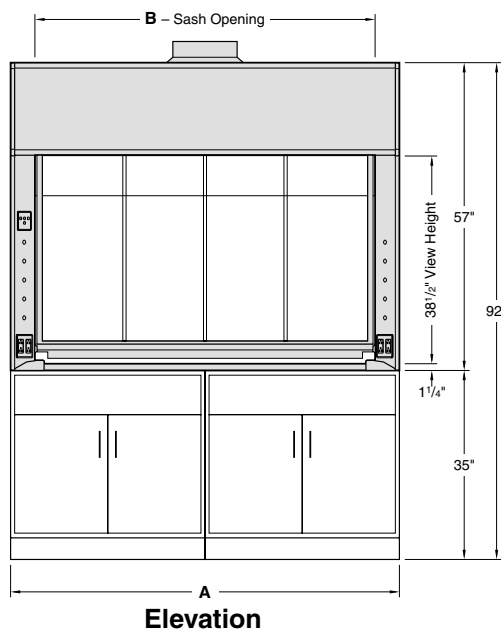
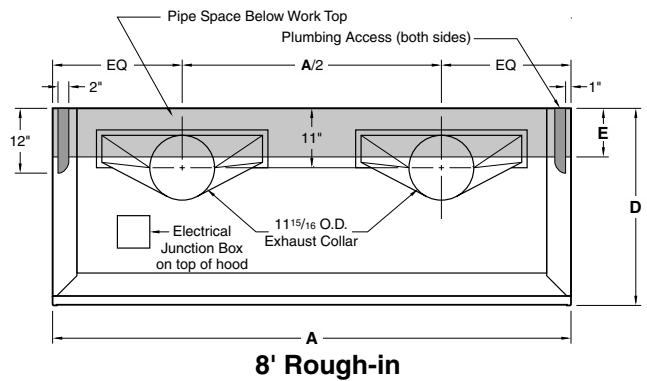
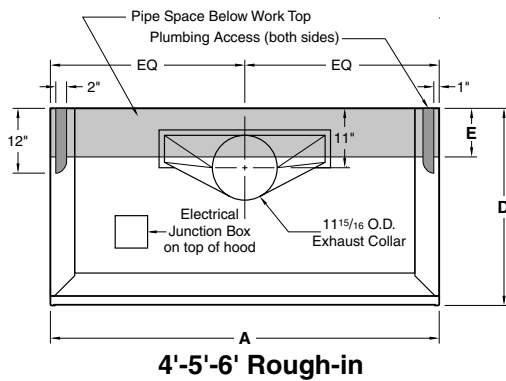
Airflow (CFM) Requirements

Face Velocity	18" High Sash Opening								Sash Closed – Panels Full Open							
	4'-0" / 48"		5'-0" / 60"		6'-0" / 72"		8'-0" / 96"		4'-0" / 48"		5'-0" / 60"		6'-0" / 72"		8'-0" / 96"	
	CFM	SP	CFM	SP	CFM	SP	CFM	SP	CFM	SP	CFM	SP	CFM	SP	CFM	SP
100 FPM	500	0.20	660	0.25	810	0.30	1120	0.20	460	0.15	600	0.20	750	0.20	1030	0.20
80 FPM	400	0.15	520	0.15	650	0.20	890	0.15	370	0.10	480	0.15	600	0.15	830	0.15
60 FPM	300	0.10	390	0.10	490	0.10	670	0.10	280	0.05	360	0.10	450	0.10	620	0.10
50 FPM	250	0.05	330	0.10	410	0.10	560	0.05	230	0.05	300	0.05	380	0.10	520	0.05

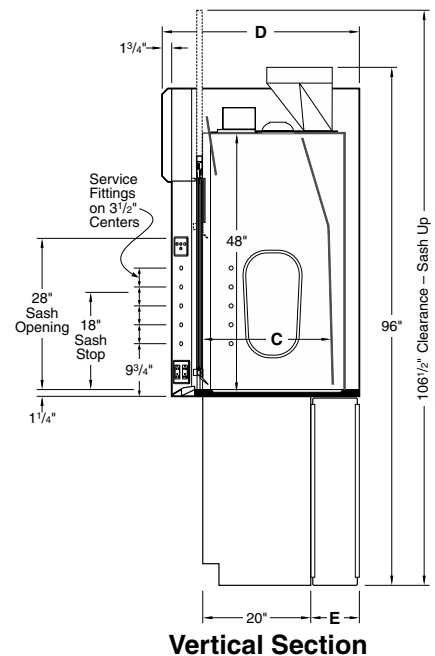
Static pressures shown are for the pressure drop through the hoods only. The total pressure drop through the hood and the duct system must be calculated to select the proper exhaust fan.

ANSI Z9.5 Minimum Flow Rate

Inside Depth	150 Air Changes/Hour				375 Air Changes/Hour			
	4'-0" / 48"	5'-0" / 60"	6'-0" / 72"	8'-0" / 96"	4'-0" / 48"	5'-0" / 60"	6'-0" / 72"	8'-0" / 96"
24" deep	80 CFM	100 CFM	120 CFM	170 CFM	190 CFM	240 CFM	300 CFM	410 CFM
30" deep	90 CFM	120 CFM	150 CFM	200 CFM	230 CFM	290 CFM	360 CFM	500 CFM
36" deep	110 CFM	140 CFM	170 CFM	240 CFM	270 CFM	350 CFM	430 CFM	590 CFM



Dimensions – Length				
A	48"	60"	72"	96"
B	39"	51"	63"	87"



Dimensions – Depth			
C	24"	30"	36"
D	36 1/2"	42 1/2"	48 1/2"
E	9"	15"	21"

V07 – General Purpose Bench Fume Hood with Horizontal Sash



Accessories Included:

- 4 120 VAC 20 amp GFCI* protected duplex receptacles
** when wired to a single circuit, as standard with Option U*
- 1 LED light fixture with illumination and color controller

Available Sizes:

part no.
code

Sash Opening Height:	
31 inches / 787mm	31
Inside Depth:	
24 inches / 610mm	24
30 inches / 762mm	30
36 inches / 914mm	36
Overall Length:	
48 inches / 1219mm	48
60 inches / 1524mm	60
72 inches / 1829mm	72
96 inches / 2438mm	96

Available Liner Types:

part no.
code

Kemglass	G
Fiberglass reinforced polyester 1805 UL classified	
KMER	K
Kewaunee Modified Epoxy Resin	
Type 316L Stainless Steel	L
1805 UL classified	
Type 304L Stainless Steel	S
1805 UL classified	
Phenolic Resin	T

Additional Parts Required for a Complete Fume Hood Assembly

Work Top	see page 58
Cupsink	see page 60
Ceiling Enclosure	see page 61
Service Fittings	see page 62
Base Cabinets	see page 66

Available Sash Frames:

part no.
code

Frameless	N
-----------	----------

Sash Opening Height Inside Depth Overall Length Liner Type Sash Frame Sash Glass Fitting Holes Electrical Fixture Option Choices (separated by commas)

V07F31 - - , ...

Technical Information

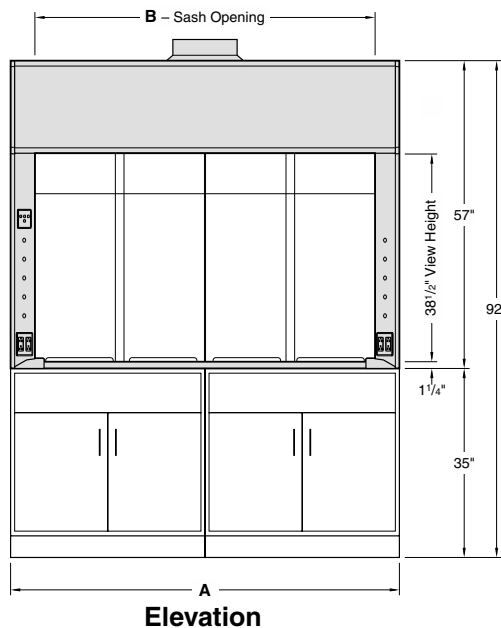
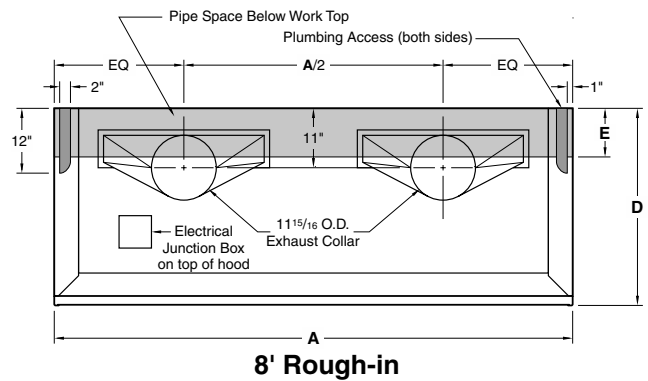
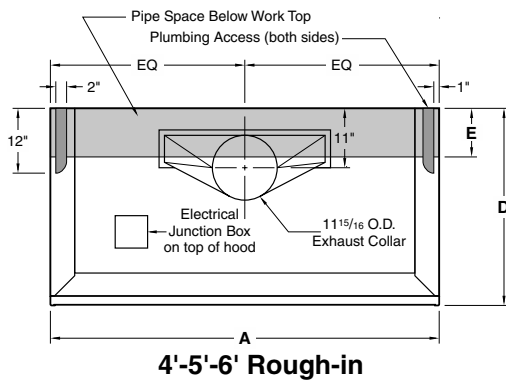
V07

Airflow (CFM) Requirements

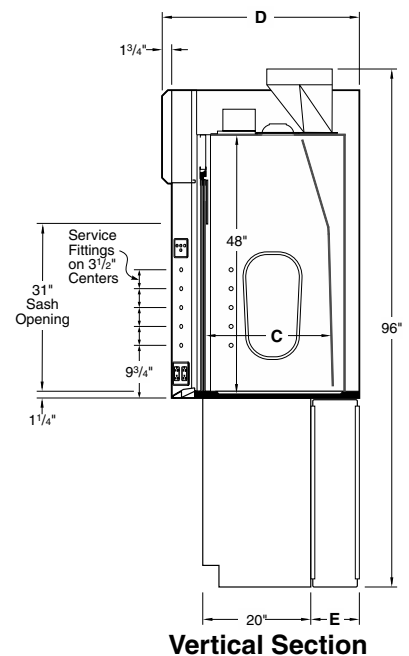
Face Velocity	Panels Fully Open							
	4'-0" / 48"		5'-0" / 60"		6'-0" / 72"		8'-0" / 96"	
	CFM	SP	CFM	SP	CFM	SP	CFM	SP
100 FPM	560	0.20	740	0.25	910	0.30	1260	0.25
80 FPM	450	0.15	590	0.20	730	0.20	1010	0.15
60 FPM	340	0.10	440	0.10	550	0.15	760	0.10
50 FPM	280	0.05	370	0.10	460	0.10	630	0.10

Static pressures shown are for the pressure drop through the hoods only. The total pressure drop through the hood and the duct system must be calculated to select the proper exhaust fan.

Inside Depth	ANSI Z9.5 Minimum Flow Rate							
	150 Air Changes/Hour				375 Air Changes/Hour			
	4'-0" / 48"	5'-0" / 60"	6'-0" / 72"	8'-0" / 96"	4'-0" / 48"	5'-0" / 60"	6'-0" / 72"	8'-0" / 96"
24" deep	80 CFM	100 CFM	120 CFM	170 CFM	190 CFM	240 CFM	300 CFM	410 CFM
30" deep	90 CFM	120 CFM	150 CFM	200 CFM	230 CFM	290 CFM	360 CFM	500 CFM
36" deep	110 CFM	140 CFM	170 CFM	240 CFM	270 CFM	350 CFM	430 CFM	590 CFM



Dimensions - Length				
A	48"	60"	72"	96"
B	39"	51"	63"	87"



Dimensions - Depth			
C	24"	30"	36"
D	36 1/2"	42 1/2"	48 1/2"
E	9"	15"	21"

V10 – General Purpose Bench Fume Hood with Split Vertical Rising Sash



Accessories Included:

- 4 120 VAC 20 amp GFCI* protected duplex receptacles
** when wired to a single circuit, as standard with Option U*
- 2 LED light fixture with illumination and color controller
- 2 Electromechanical sash stops with push button override

Available Sizes:

part no.
code

Sash Opening Height:	
28 inches / 711mm	28
Inside Depth:	
24 inches / 610mm	24
30 inches / 762mm	30
36 inches / 914mm	36
Overall Length:	
96 inches / 2438mm	96
120 inches / 3048mm	20
144 inches / 3658mm	44

Available Liner Types:

part no.
code

Kemglass	G
Fiberglass reinforced polyester 1805 UL classified	
KMER	K
Kewaunee Modified Epoxy Resin	
Type 316L Stainless Steel	L
1805 UL classified	
Type 304L Stainless Steel	S
1805 UL classified	
Phenolic Resin	T

Additional Parts Required for a Complete Fume Hood Assembly

Work Top	see page 58
Cupsink	see page 60
Ceiling Enclosure	see page 61
Service Fittings	see page 62
Base Cabinets	see page 66

Available Sash Frames:

part no.
code

Powder Coated Steel	M
Type 304L Stainless Steel	S

Sash Opening Height Inside Depth Overall Length Liner Type Sash Frame Sash Glass Fitting Holes Electrical Fixture Option Choices (separated by commas)

V10F28 - - , ...

Technical Information

V10

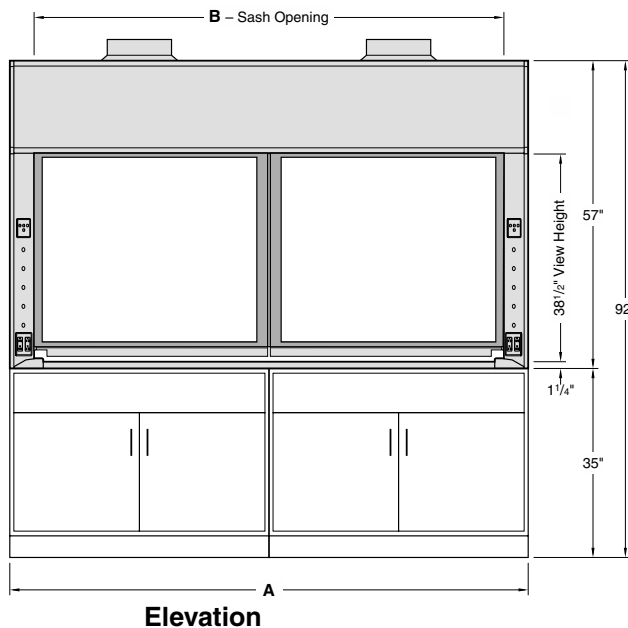
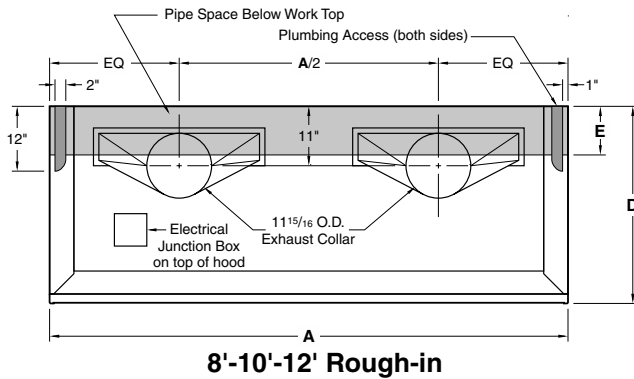
Airflow (CFM) Requirements

Face Velocity	28" High Sash Opening						18" High Sash Opening					
	8'-0" / 96"		10'-0" / 120"		12'-0" / 144"		8'-0" / 96"		10'-0" / 120"		12'-0" / 144"	
	CFM	SP	CFM	SP	CFM	SP	CFM	SP	CFM	SP	CFM	SP
100 FPM	1750	0.45	2240	0.55	2720	0.65	1150	0.20	1460	0.25	1780	0.30
80 FPM	1400	0.30	1790	0.35	2180	0.45	920	0.15	1170	0.15	1430	0.25
60 FPM	1050	0.20	1340	0.25	1630	0.30	690	0.10	880	0.10	1070	0.15
50 FPM	880	0.10	1120	0.15	1360	0.20	570	0.05	730	0.10	890	0.10

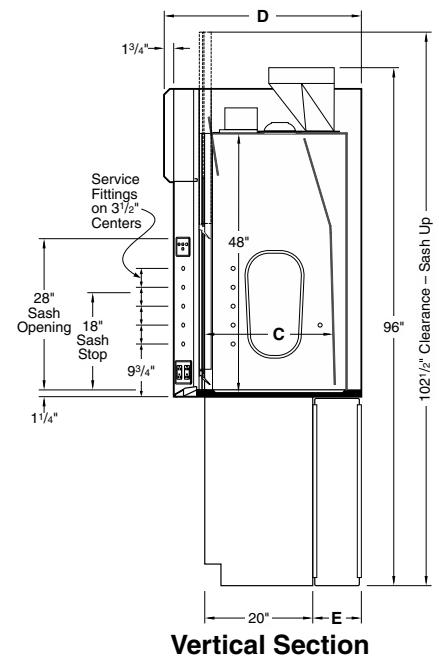
Static pressures shown are for the pressure drop through the hoods only. The total pressure drop through the hood and the duct system must be calculated to select the proper exhaust fan.

ANSI Z9.5 Minimum Flow Rate

Inside Depth	150 Air Changes/Hour			375 Air Changes/Hour		
	8'-0" / 96"	10'-0" / 120"	12'-0" / 144"	8'-0" / 96"	10'-0" / 120"	12'-0" / 144"
24" deep	170 CFM	210 CFM	260 CFM	410 CFM	520 CFM	630 CFM
30" deep	200 CFM	260 CFM	310 CFM	500 CFM	630 CFM	770 CFM
36" deep	240 CFM	300 CFM	370 CFM	590 CFM	750 CFM	910 CFM



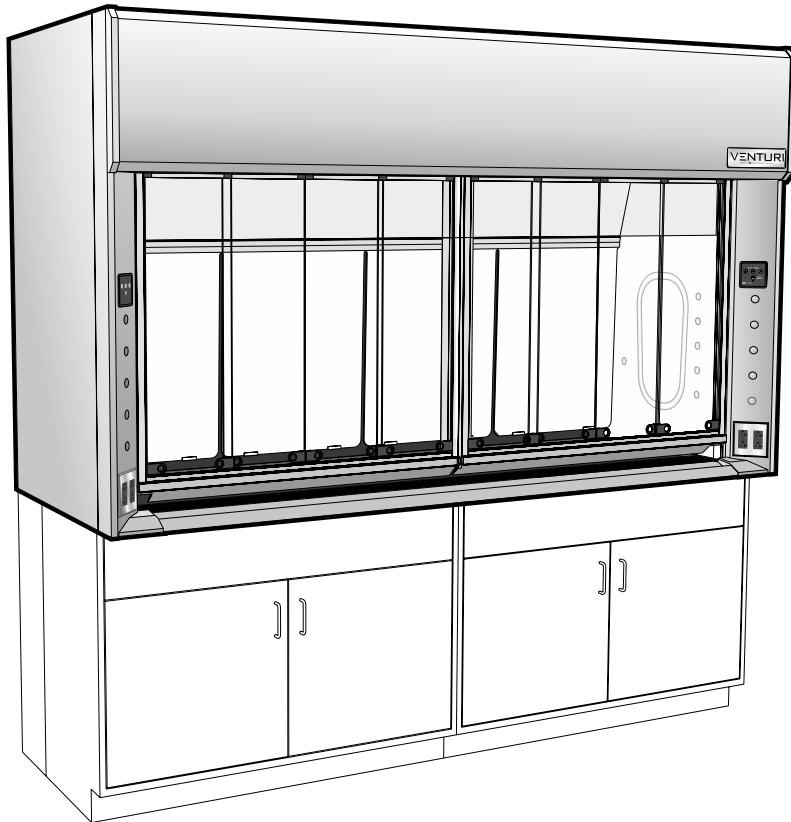
Dimensions - Length			
A	96"	120"	144"
B	39"	111"	135"



Dimensions - Depth			
C	24"	30"	36"
D	36 1/2"	42 1/2"	48 1/2"
E	9"	15"	21"

V11 – General Purpose Bench Fume Hood

with Split Combination Vertical Rising/Horizontal Sash



Accessories Included:

- 4 120 VAC 20 amp GFCI* protected duplex receptacles
** when wired to a single circuit, as standard with Option U*
- 2 LED light fixture with illumination and color controller
- 2 Electromechanical sash stops with push button override

Available Sizes:

part no.
code

Sash Opening Height:	
28 inches / 711mm	28
Inside Depth:	
24 inches / 610mm	24
30 inches / 762mm	30
36 inches / 914mm	36
Overall Length:	
96 inches / 2438mm	96
120 inches / 3048mm	20
144 inches / 3658mm	44

Available Liner Types:

part no.
code

Kemglass	G
Fiberglass reinforced polyester 1805 UL classified	
KMER	K
Kewaunee Modified Epoxy Resin	
Type 316L Stainless Steel	L
1805 UL classified	
Type 304L Stainless Steel	S
1805 UL classified	
Phenolic Resin	T

Additional Parts Required for a Complete Fume Hood Assembly

Work Top	see page 58
Cupsink	see page 60
Ceiling Enclosure	see page 61
Service Fittings	see page 62
Base Cabinets	see page 66

Available Sash Frames:

part no.
code

Powder Coated Steel	M
Type 304L Stainless Steel	S

Sash Opening Height Inside Depth Overall Length Liner Type Sash Frame Sash Glass Fitting Holes Electrical Fixture Option Choices (separated by commas)

V11F28 - - , ...

Technical Information

V11

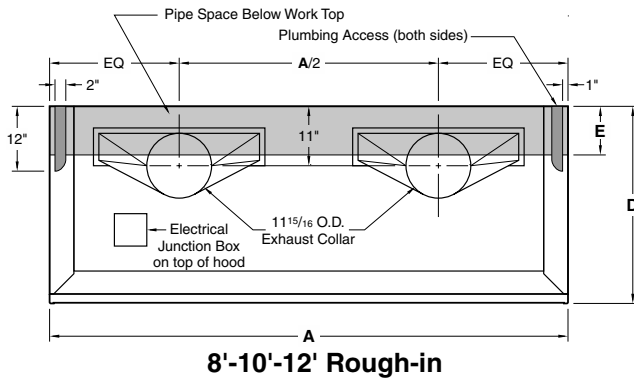
Airflow (CFM) Requirements

Face Velocity	18" High Sash Opening						Sash Closed – Panels Full Open					
	8'-0" / 96"		10'-0" / 120"		12'-0" / 144"		8'-0" / 96"		10'-0" / 120"		12'-0" / 144"	
	CFM	SP	CFM	SP	CFM	SP	CFM	SP	CFM	SP	CFM	SP
100 FPM	1120	0.20	1430	0.25	1740	0.30	930	0.15	1220	0.20	1500	0.25
80 FPM	890	0.15	1140	0.15	1390	0.25	750	0.10	970	0.15	1200	0.15
60 FPM	670	0.10	860	0.10	1040	0.15	560	0.05	730	0.10	900	0.10
50 FPM	560	0.05	710	0.10	870	0.10	470	0.05	610	0.05	750	0.10

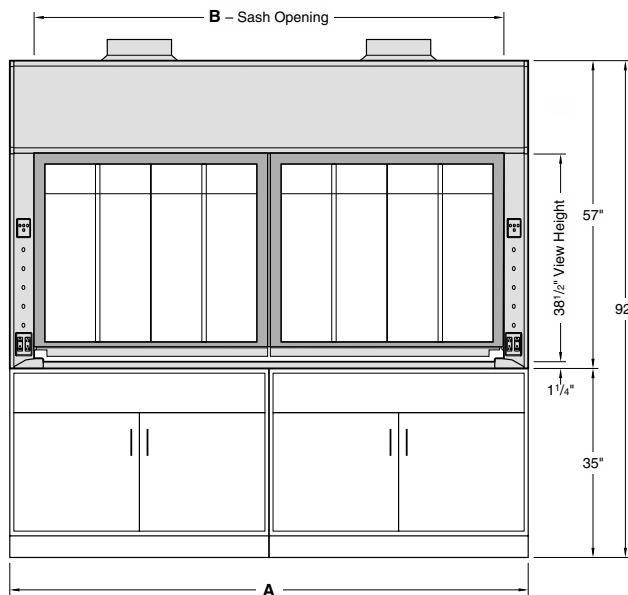
Static pressures shown are for the pressure drop through the hoods only. The total pressure drop through the hood and the duct system must be calculated to select the proper exhaust fan.

ANSI Z9.5 Minimum Flow Rate

Inside Depth	150 Air Changes/Hour			375 Air Changes/Hour		
	8'-0" / 96"	10'-0" / 120"	12'-0" / 144"	8'-0" / 96"	10'-0" / 120"	12'-0" / 144"
24" deep	170 CFM	210 CFM	260 CFM	410 CFM	520 CFM	630 CFM
30" deep	200 CFM	260 CFM	310 CFM	500 CFM	630 CFM	770 CFM
36" deep	240 CFM	300 CFM	370 CFM	590 CFM	750 CFM	910 CFM

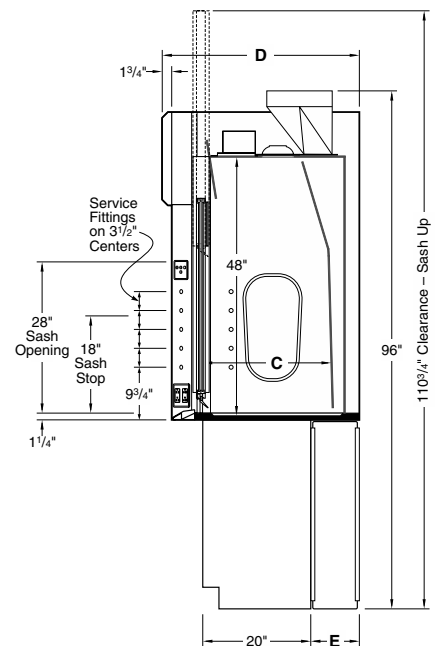


8'-10'-12' Rough-in



Elevation

Dimensions – Length			
A	96"	120"	144"
B	39"	111"	135"



Vertical Section

Dimensions – Depth			
C	24"	30"	36"
D	36 1/2"	42 1/2"	48 1/2"
E	9"	15"	21"