

# Evolution<sup>®</sup>

## Column Based Workstation



KEWAUNEE<sup>®</sup>

encouraging new discovery...*Worldwide*

# EVOLUTION



## *Column Based Workstations*

- Infinitely height adjustable worksurfaces and shelving
- Starter and add-on assemblies; single and double-sided
- Laminates, edge-grain maple, phenolic resin and Kemresin worksurfaces available
- UL listed, column mount power bars with power switch and built-in circuit breaker
- Power, data, and service fixtures mountable in columns with pre-wired and pre-piped options
- Storage options include mobile, suspended, freestanding, and overhead
- Meets SEFA 10, Adaptable Casework Systems, Class 7 (freestanding) and Class 8 (mobile) standards



## Contents

Evolution Workstations .....	2
9" Column Modules .....	6
12" Column Modules .....	10
Work Tops .....	14
Corner Module .....	16
Worksurface Frames .....	18
Columns .....	20
9" Column Shelving .....	22
12" Column Shelving .....	27
Shelf Brackets .....	32
Mobile Floor Shelving .....	34
Lighting .....	35
Power Bar .....	37
Tack Panels .....	38
Bin Bar .....	39
Horizontal Chase .....	40
Service Fittings .....	41
Mobile Base Cabinets .....	50
Suspended Base Cabinets .....	56
Upper Storage Cabinets .....	62
Ceiling Service Panels .....	74
Technical Information .....	78
Index .....	86



Kewaunee's Evolution is a free standing workstation system that is designed to meet the changing needs of today's Laboratory and Technical environments. The column based design offers infinite height adjustment of the worksurface and shelving; as well as other column mounted accessories. Its modular design and ability to share columns helps control cost and simplifies lab layout. Three standard column heights create platforms with and without an above counter support structure. Evolution is available pre-piped and pre-wired and easily incorporates with overhead utility grids or service carriers and panels. Evolution is designed for mobile, suspended, free-standing, and overhead storage.

# Evolution Workstation Part Numbers

## Workstation Part Number Explanation

**FV 11 M 84 24 36 - 00**

<p><b>System Type</b></p> <p>FV = Evolution</p> <p><b>Column Type</b></p> <p>10 = Single-sided Starter 9" Column          11 = Single-sided Add-on 9" Column          20 = Double-sided Starter 9" Column          21 = Double-sided Add-on 9" Column          30 = Single-sided Starter 12" Column          31 = Single-sided Add-on 12" Column          40 = Double-sided Starter 12" Column          41 = Double-sided Add-on 12" Column</p> <p><b>Material</b></p> <p>M = Metal (powder coated steel &amp; aluminum)          P = Plastic Laminate          E = ESD Plastic Laminate          R = Kemresin          T = Phenolic Resin</p>	<p><b>Options</b> (see below)</p> <p><b>Separator</b></p> <p><b>Work Top Length</b></p> <p>Standard Lengths: 24" - 30" - 36" - 42" - 48"          54" - 60" - 66" - 72" - 78" - 84" - 90" - 96"</p> <p><b>Work Top Depth</b></p> <p>Standard Depths: 24" - 30" - 36"          Double-sided workstations use two work tops back-to-back          Double-sided Overall depth = Standard Depth x 2</p> <p><b>Column Height</b></p> <p>Standard Heights: 36" - 54" - 84"</p>	<p><b>Work Top Materials</b></p>
--------------------------------------------------------------------------------------------------------------------------------------------------------------------------------------------------------------------------------------------------------------------------------------------------------------------------------------------------------------------------------------------------------------------------------------------------------------------------------------------------------------------------------------------------------------------------------------------------------------------------------------------------------------------------------------------	--------------------------------------------------------------------------------------------------------------------------------------------------------------------------------------------------------------------------------------------------------------------------------------------------------------------------------------------------------------------------------------------------------------------------------------------------------------------------------------	----------------------------------

## Workstation Options

**FV 11 M 84 24 36 - 00**

<p><b>Accent Strip Options</b></p> <p>0 = Plastic Laminate Accent Strip          1 = Powder Coated Steel Accent Strip</p>	<p><b>Column Foot Options</b></p> <p>0 = 1½" Diameter Leveling Glide          1 = 4" Swivel, Locking Caster          2 = 4" Heavy Duty Leveling Caster</p>
-------------------------------------------------------------------------------------------------------------------------------	--------------------------------------------------------------------------------------------------------------------------------------------------------------------

## Load Ratings — Assembly Load Maximums

### Single-sided – 9" Column Workstation

Workstation on Glides or Heavy Duty Leveling Casters: ..... 1,200lbs	Workstation on Swivel Casters: ..... 800lbs
Worksurface Frame: ..... 750lbs (includes worksurface and suspended storage)	Shelving: (each) ..... 250lbs

### Double-sided – 9" Column Workstation

Workstation on Glides or Heavy Duty Leveling Casters: .... 2,000lbs	Workstation on Swivel Casters: ... 1200lbs
Worksurface Frame:(each side) ..... 500lbs (includes worksurface and suspended storage)	Shelving: (each) ..... 250lbs

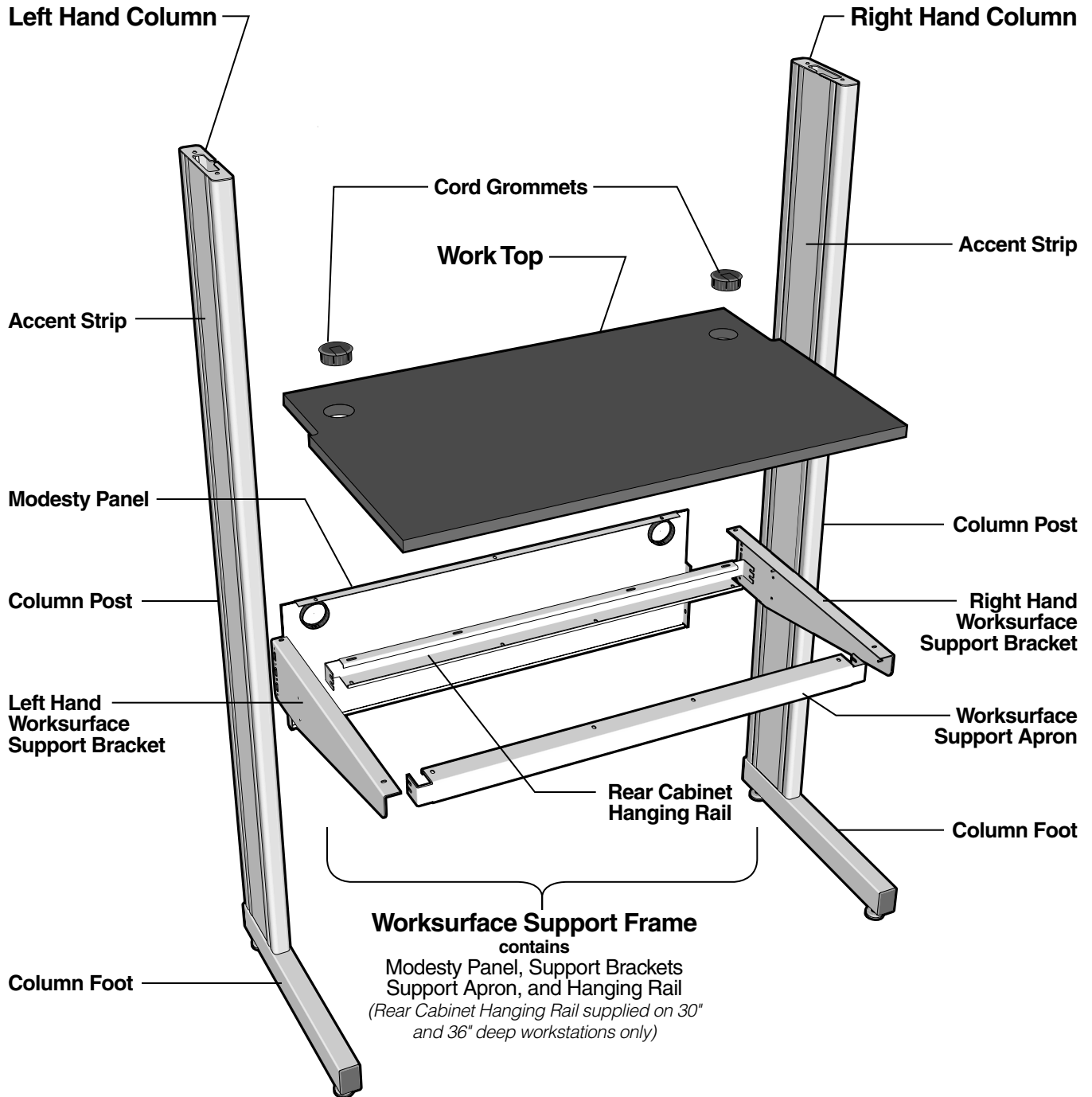
### Single-sided – 12" Column Workstation

Workstation on Glides or Heavy Duty Leveling Casters: ..... 1,750lbs	Workstation on Swivel Casters: ..... 800lbs
Worksurface Frame: ..... 1000lbs (includes worksurface and suspended storage)	Shelving: (each) ..... 250lbs

### Double-sided – 12" Column Workstation

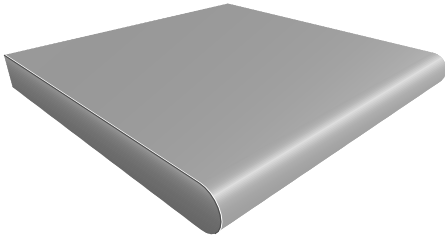
Workstation on Glides or Heavy Duty Leveling Casters: ..... 2,500lbs	Workstation on Swivel Casters: ... 1200lbs
Worksurface Frame:(each side) ..... 600lbs (includes worksurface and suspended storage)	Shelving: (each) ..... 250lbs

# Typical Evolution Workstation



## Evolution Work Top Material Options

### Plastic Laminate



**Edge Treatment:**  
Full-round front edge, self-edged ends and back.

**Appearance:** Hard smooth surface.

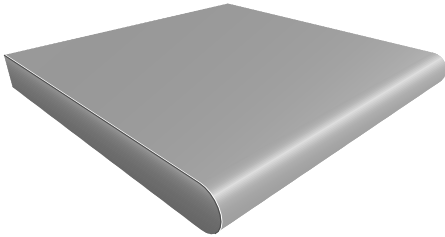
**Available Colors:** Almond, Dove Grey, Light Neutral, Black  
*Other colors available on request.*

**Composition:** Horizontal Grade (HGP) high pressure laminate attached to 1" thick solid, M-2, particle board with water resistant adhesive.

**Physical Properties:** Good impact and heat resistance; fair chemical resistance.

**Applications:** Recommended for general purpose uses.

### Electrostatic Dissipative (ESD) Laminate



**Edge Treatment:**  
Full-round front edge, self-edged ends and back.

**Appearance:** Hard textured surface.

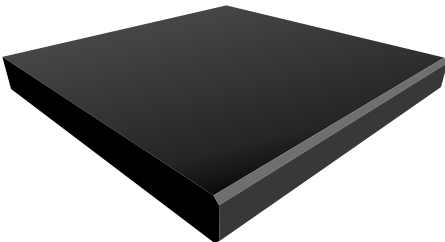
**Available Colors:** Almond, Dove Grey, Black  
*Other colors available on request.*

**Composition:** ESD Horizontal Grade (HGP) high pressure laminate attached to 1" thick solid, M-2, particle board with water resistant adhesive.

**Physical Properties:** Good impact and heat resistance; fair chemical resistance.

**Applications:** Ideally suited for a variety of electronically sensitive applications.

### Kemresin®



**Edge Treatment:**  
Chamfered front edge, finished square ends and back.

**Appearance:** Ultra-smooth non-porous surface.

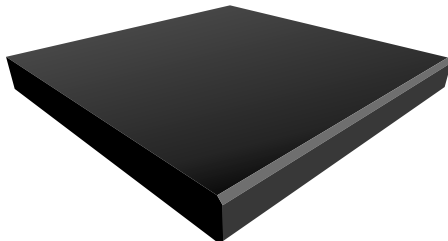
**Available Colors:** Black, Grey, Putty, Slate

**Composition:** 1" thick molded epoxy resin.

**Physical Properties:** Excellent resistance to practically all acids, alkalies and solvents. Highly resistant to heat and normal physical abuse.

**Applications:** Use wherever optimum physical and chemical resisting properties are required.

### Phenolic Resin



**Edge Treatment:**  
Chamfered front edge, finished square ends and back.

**Appearance:** Hard, smooth, non-glare surface

**Available Colors:** Black  
*Other colors available on request.*

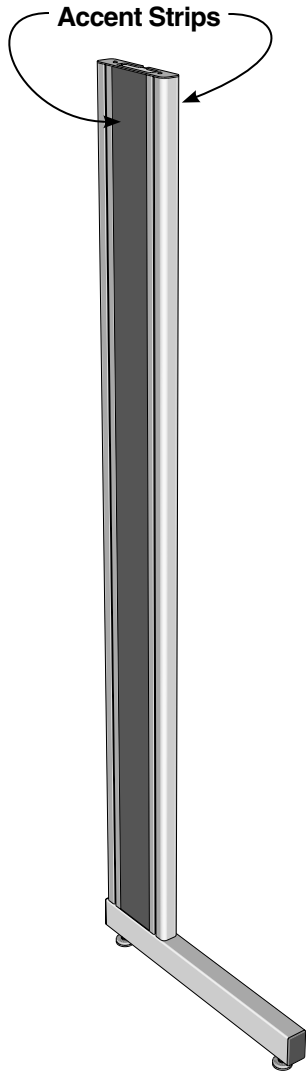
**Composition:** Cellulose fiber reinforced phenolic resin core with a polyurethane copolymer surface.

**Physical Properties:** Good chemical resistance to wide range of acids, alkalies and solvents.

**Applications:** Use wherever a high degree of chemical resistance is required.

# Evolution Column Options

## Column Accent Strip Options



**Workstation Support Columns** are furnished with two accent strips, one on each side of the column. Accent strips may be either Plastic Laminate or Powder Coated Steel in colors to either match or accent the Workstation color.

### Plastic Laminate Accent Strip

*May be used on any 9" or 12" column.*

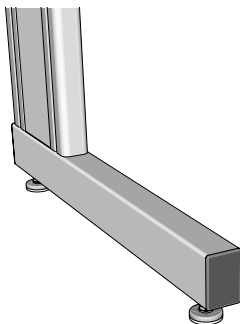
- Available Colors:**
- |               |               |
|---------------|---------------|
| Almond        | Dove Gray     |
| Black         | Light Neutral |
| Brittany Blue | Midori        |
- Other colors available on request.*

### Powder Coated Steel Accent Strip

*Required for columns with fittings or fixtures.*

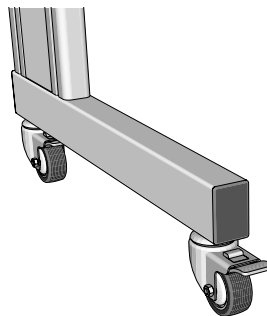
- Available Colors:** *All Standard Kewaunee Steel Finish Colors*
- |               |               |
|---------------|---------------|
| Amazon        | Mountain Blue |
| Black         | Sage          |
| Chocolate     | Sand Tan      |
| Driftwood     | Satin Grey    |
| Force Grey    | Snow White    |
| Light Neutral | Stormy Blue   |
| Malt          | True Blue     |
| Midori        | Wineberry     |

## Column Foot Options



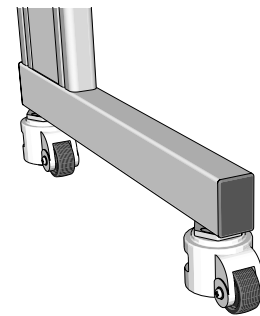
### 1 1/2" Diameter Glide

Overall Height: 1"  
Load Rating: 500lbs each



### Swivel Locking Caster

Overall Height: 4"  
Load Rating: 200lbs each



### Heavy Duty Leveling Caster

Overall Height: 4"  
Load Rating: 500lbs each

## Single-sided – 9" Column Modules

**Single-sided 9" Column Modules** are available in three heights; 36", 54", and 84", three depths; 24", 30" and 36", and in lengths as shown — in both starter assemblies and add-on assemblies. Starter assemblies consist of two columns, a worksurface support frame, and all required

hardware. Add-on assemblies consist of one column, a worksurface support frame, and all required hardware. Workstation modules ship knocked-down for assembly in the field.

**Work Tops must be specified separately.** (see page 14)

### 36" High – 24" Deep

Starter		Add-on	
FV10M362424-__	24"L	FV11M362424-__	24"L
FV10M362430-__	30"L	FV11M362430-__	30"L
FV10M362436-__	36"L	FV11M362436-__	36"L
FV10M362442-__	42"L	FV11M362442-__	42"L
FV10M362448-__	48"L	FV11M362448-__	48"L
FV10M362454-__	54"L	FV11M362454-__	54"L
FV10M362460-__	60"L	FV11M362460-__	60"L
FV10M362466-__	66"L	FV11M362466-__	66"L
FV10M362472-__	72"L	FV11M362472-__	72"L
FV10M362478-__	78"L	FV11M362478-__	78"L
FV10M362484-__	84"L	FV11M362484-__	84"L
FV10M362490-__	90"L	FV11M362490-__	90"L
FV10M362496-__	96"L	FV11M362496-__	96"L

### 36" High – 30" Deep

Starter		Add-on	
FV10M363024-__	24"L	FV11M363024-__	24"L
FV10M363030-__	30"L	FV11M363030-__	30"L
FV10M363036-__	36"L	FV11M363036-__	36"L
FV10M363042-__	42"L	FV11M363042-__	42"L
FV10M363048-__	48"L	FV11M363048-__	48"L
FV10M363054-__	54"L	FV11M363054-__	54"L
FV10M363060-__	60"L	FV11M363060-__	60"L
FV10M363066-__	66"L	FV11M363066-__	66"L
FV10M363072-__	72"L	FV11M363072-__	72"L
FV10M363078-__	78"L	FV11M363078-__	78"L
FV10M363084-__	84"L	FV11M363084-__	84"L
FV10M363090-__	90"L	FV11M363090-__	90"L
FV10M363096-__	96"L	FV11M363096-__	96"L

### 54" High – 24" Deep

Starter		Add-on	
FV10M542424-__	24"L	FV11M542424-__	24"L
FV10M542430-__	30"L	FV11M542430-__	30"L
FV10M542436-__	36"L	FV11M542436-__	36"L
FV10M542442-__	42"L	FV11M542442-__	42"L
FV10M542448-__	48"L	FV11M542448-__	48"L
FV10M542454-__	54"L	FV11M542454-__	54"L
FV10M542460-__	60"L	FV11M542460-__	60"L
FV10M542466-__	66"L	FV11M542466-__	66"L
FV10M542472-__	72"L	FV11M542472-__	72"L
FV10M542478-__	78"L	FV11M542478-__	78"L
FV10M542484-__	84"L	FV11M542484-__	84"L
FV10M542490-__	90"L	FV11M542490-__	90"L
FV10M542496-__	96"L	FV11M542496-__	96"L

### 54" High – 30" Deep

Starter		Add-on	
FV10M543024-__	24"L	FV11M543024-__	24"L
FV10M543030-__	30"L	FV11M543030-__	30"L
FV10M543036-__	36"L	FV11M543036-__	36"L
FV10M543042-__	42"L	FV11M543042-__	42"L
FV10M543048-__	48"L	FV11M543048-__	48"L
FV10M543054-__	54"L	FV11M543054-__	54"L
FV10M543060-__	60"L	FV11M543060-__	60"L
FV10M543066-__	66"L	FV11M543066-__	66"L
FV10M543072-__	72"L	FV11M543072-__	72"L
FV10M543078-__	78"L	FV11M543078-__	78"L
FV10M543084-__	84"L	FV11M543084-__	84"L
FV10M543090-__	90"L	FV11M543090-__	90"L
FV10M543096-__	96"L	FV11M543096-__	96"L

### 84" High – 24" Deep

Starter		Add-on	
FV10M842424-__	24"L	FV11M842424-__	24"L
FV10M842430-__	30"L	FV11M842430-__	30"L
FV10M842436-__	36"L	FV11M842436-__	36"L
FV10M842442-__	42"L	FV11M842442-__	42"L
FV10M842448-__	48"L	FV11M842448-__	48"L
FV10M842454-__	54"L	FV11M842454-__	54"L
FV10M842460-__	60"L	FV11M842460-__	60"L
FV10M842466-__	66"L	FV11M842466-__	66"L
FV10M842472-__	72"L	FV11M842472-__	72"L
FV10M842478-__	78"L	FV11M842478-__	78"L
FV10M842484-__	84"L	FV11M842484-__	84"L
FV10M842490-__	90"L	FV11M842490-__	90"L
FV10M842496-__	96"L	FV11M842496-__	96"L

### 84" High – 30" Deep

Starter		Add-on	
FV10M843024-__	24"L	FV11M843024-__	24"L
FV10M843030-__	30"L	FV11M843030-__	30"L
FV10M843036-__	36"L	FV11M843036-__	36"L
FV10M843042-__	42"L	FV11M843042-__	42"L
FV10M843048-__	48"L	FV11M843048-__	48"L
FV10M843054-__	54"L	FV11M843054-__	54"L
FV10M843060-__	60"L	FV11M843060-__	60"L
FV10M843066-__	66"L	FV11M843066-__	66"L
FV10M843072-__	72"L	FV11M843072-__	72"L
FV10M843078-__	78"L	FV11M843078-__	78"L
FV10M843084-__	84"L	FV11M843084-__	84"L
FV10M843090-__	90"L	FV11M843090-__	90"L
FV10M843096-__	96"L	FV11M843096-__	96"L



## Single-sided – 9" Column Modules

### Module Options:

The two final digits in the part numbers specifies the Accent Panel Material option and the Foot option for the workstation.

### Accent Strip Material Options:

0 = Plastic Laminate Panel  
1 = Powder Coated Steel Panel

### Column Foot Options:

0 = 1 1/2" Leveling Glide  
1 = 4" Caster  
2 = 4" Heavy Duty Leveling Caster

Example: FV10M362424-00 = with Laminate Accent Strip and Glides

### 36" High – 36" Deep

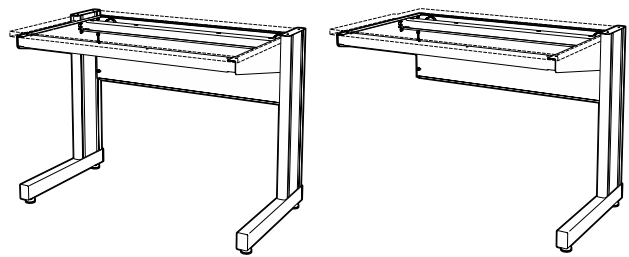
36" High

#### Starter

FV10M363624-__	24"L
FV10M363630-__	30"L
FV10M363636-__	36"L
FV10M363642-__	42"L
FV10M363648-__	48"L
FV10M363654-__	54"L
FV10M363660-__	60"L
FV10M363666-__	66"L
FV10M363672-__	72"L
FV10M363678-__	78"L
FV10M363684-__	84"L
FV10M363690-__	90"L
FV10M363696-__	96"L

#### Add-on

FV11M363624-__	24"L
FV11M363630-__	30"L
FV11M363636-__	36"L
FV11M363642-__	42"L
FV11M363648-__	48"L
FV11M363654-__	54"L
FV11M363660-__	60"L
FV11M363666-__	66"L
FV11M363672-__	72"L
FV11M363678-__	78"L
FV11M363684-__	84"L
FV11M363690-__	90"L
FV11M363696-__	96"L



### 54" High – 36" Deep

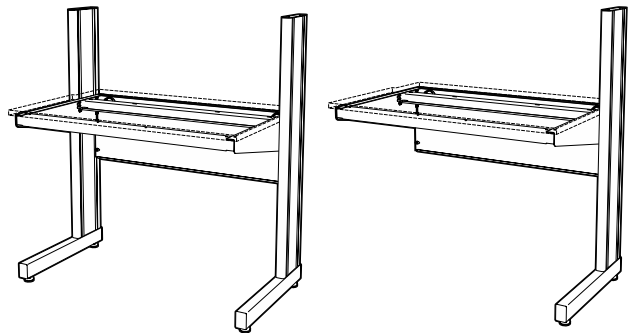
54" High

#### Starter

FV10M543624-__	24"L
FV10M543630-__	30"L
FV10M543636-__	36"L
FV10M543642-__	42"L
FV10M543648-__	48"L
FV10M543654-__	54"L
FV10M543660-__	60"L
FV10M543666-__	66"L
FV10M543672-__	72"L
FV10M543678-__	78"L
FV10M543684-__	84"L
FV10M543690-__	90"L
FV10M543696-__	96"L

#### Add-on

FV11M543624-__	24"L
FV11M543630-__	30"L
FV11M543636-__	36"L
FV11M543642-__	42"L
FV11M543648-__	48"L
FV11M543654-__	54"L
FV11M543660-__	60"L
FV11M543666-__	66"L
FV11M543672-__	72"L
FV11M543678-__	78"L
FV11M543684-__	84"L
FV11M543690-__	90"L
FV11M543696-__	96"L



### 84" High – 36" Deep

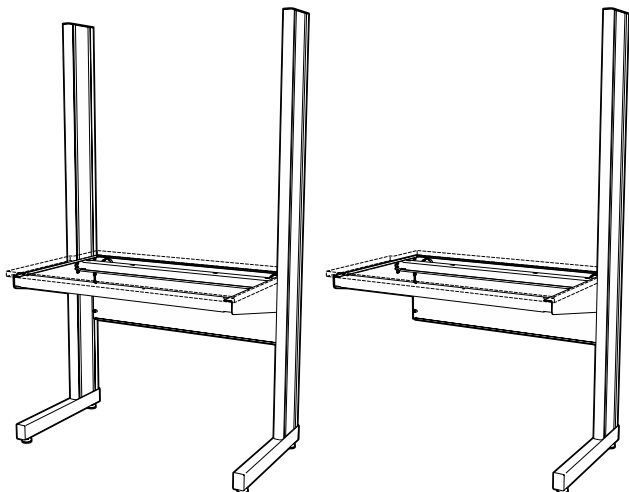
84" High

#### Starter

FV10M843624-__	24"L
FV10M843630-__	30"L
FV10M843636-__	36"L
FV10M843642-__	42"L
FV10M843648-__	48"L
FV10M843654-__	54"L
FV10M843660-__	60"L
FV10M843666-__	66"L
FV10M843672-__	72"L
FV10M843678-__	78"L
FV10M843684-__	84"L
FV10M843690-__	90"L
FV10M843696-__	96"L

#### Add-on

FV11M843624-__	24"L
FV11M843630-__	30"L
FV11M843636-__	36"L
FV11M843642-__	42"L
FV11M843648-__	48"L
FV11M843654-__	54"L
FV11M843660-__	60"L
FV11M843666-__	66"L
FV11M843672-__	72"L
FV11M843678-__	78"L
FV11M843684-__	84"L
FV11M843690-__	90"L
FV11M843696-__	96"L



## Double-sided – 9" Column Modules

**Double-sided 9" Column Modules** are available in three heights; 36", 54", and 84", three depths; 48", 60" and 72", and in lengths as shown — in both starter assemblies and add-on assemblies. Starter assemblies consist of two columns, two worksurface support frames, and all

required hardware. Add-on assemblies consist of one column, two worksurface support frames, and all required hardware. Workstation modules ship knocked-down for assembly in the field.

**Work Tops must be specified separately.** (see page 14)

### 36" High – 48" Deep

Starter		Add-on	
FV20M364824-__	24"L	FV21M364824-__	24"L
FV20M364830-__	30"L	FV21M364830-__	30"L
FV20M364836-__	36"L	FV21M364836-__	36"L
FV20M364842-__	42"L	FV21M364842-__	42"L
FV20M364848-__	48"L	FV21M364848-__	48"L
FV20M364854-__	54"L	FV21M364854-__	54"L
FV20M364860-__	60"L	FV21M364860-__	60"L
FV20M364866-__	66"L	FV21M364866-__	66"L
FV20M364872-__	72"L	FV21M364872-__	72"L
FV20M364878-__	78"L	FV21M364878-__	78"L
FV20M364884-__	84"L	FV21M364884-__	84"L
FV20M364890-__	90"L	FV21M364890-__	90"L
FV20M364896-__	96"L	FV21M364896-__	96"L

### 36" High – 60" Deep

Starter		Add-on	
FV20M366024-__	24"L	FV21M366024-__	24"L
FV20M366030-__	30"L	FV21M366030-__	30"L
FV20M366036-__	36"L	FV21M366036-__	36"L
FV20M366042-__	42"L	FV21M366042-__	42"L
FV20M366048-__	48"L	FV21M366048-__	48"L
FV20M366054-__	54"L	FV21M366054-__	54"L
FV20M366060-__	60"L	FV21M366060-__	60"L
FV20M366066-__	66"L	FV21M366066-__	66"L
FV20M366072-__	72"L	FV21M366072-__	72"L
FV20M366078-__	78"L	FV21M366078-__	78"L
FV20M366084-__	84"L	FV21M366084-__	84"L
FV20M366090-__	90"L	FV21M366090-__	90"L
FV20M366096-__	96"L	FV21M366096-__	96"L

### 54" High – 48" Deep

Starter		Add-on	
FV20M544824-__	24"L	FV21M544824-__	24"L
FV20M544830-__	30"L	FV21M544830-__	30"L
FV20M544836-__	36"L	FV21M544836-__	36"L
FV20M544842-__	42"L	FV21M544842-__	42"L
FV20M544848-__	48"L	FV21M544848-__	48"L
FV20M544854-__	54"L	FV21M544854-__	54"L
FV20M544860-__	60"L	FV21M544860-__	60"L
FV20M544866-__	66"L	FV21M544866-__	66"L
FV20M544872-__	72"L	FV21M544872-__	72"L
FV20M544878-__	78"L	FV21M544878-__	78"L
FV20M544884-__	84"L	FV21M544884-__	84"L
FV20M544890-__	90"L	FV21M544890-__	90"L
FV20M544896-__	96"L	FV21M544896-__	96"L

### 54" High – 60" Deep

Starter		Add-on	
FV20M546024-__	24"L	FV21M546024-__	24"L
FV20M546030-__	30"L	FV21M546030-__	30"L
FV20M546036-__	36"L	FV21M546036-__	36"L
FV20M546042-__	42"L	FV21M546042-__	42"L
FV20M546048-__	48"L	FV21M546048-__	48"L
FV20M546054-__	54"L	FV21M546054-__	54"L
FV20M546060-__	60"L	FV21M546060-__	60"L
FV20M546066-__	66"L	FV21M546066-__	66"L
FV20M546072-__	72"L	FV21M546072-__	72"L
FV20M546078-__	78"L	FV21M546078-__	78"L
FV20M546084-__	84"L	FV21M546084-__	84"L
FV20M546090-__	90"L	FV21M546090-__	90"L
FV20M546096-__	96"L	FV21M546096-__	96"L

### 84" High – 48" Deep

Starter		Add-on	
FV20M844824-__	24"L	FV21M844824-__	24"L
FV20M844830-__	30"L	FV21M844830-__	30"L
FV20M844836-__	36"L	FV21M844836-__	36"L
FV20M844842-__	42"L	FV21M844842-__	42"L
FV20M844848-__	48"L	FV21M844848-__	48"L
FV20M844854-__	54"L	FV21M844854-__	54"L
FV20M844860-__	60"L	FV21M844860-__	60"L
FV20M844866-__	66"L	FV21M844866-__	66"L
FV20M844872-__	72"L	FV21M844872-__	72"L
FV20M844878-__	78"L	FV21M844878-__	78"L
FV20M844884-__	84"L	FV21M844884-__	84"L
FV20M844890-__	90"L	FV21M844890-__	90"L
FV20M844896-__	96"L	FV21M844896-__	96"L

### 84" High – 60" Deep

Starter		Add-on	
FV20M846024-__	24"L	FV21M846024-__	24"L
FV20M846030-__	30"L	FV21M846030-__	30"L
FV20M846036-__	36"L	FV21M846036-__	36"L
FV20M846042-__	42"L	FV21M846042-__	42"L
FV20M846048-__	48"L	FV21M846048-__	48"L
FV20M846054-__	54"L	FV21M846054-__	54"L
FV20M846060-__	60"L	FV21M846060-__	60"L
FV20M846066-__	66"L	FV21M846066-__	66"L
FV20M846072-__	72"L	FV21M846072-__	72"L
FV20M846078-__	78"L	FV21M846078-__	78"L
FV20M846084-__	84"L	FV21M846084-__	84"L
FV20M846090-__	90"L	FV21M846090-__	90"L
FV20M846096-__	96"L	FV21M846096-__	96"L

## Double-sided – 9" Column Modules

### Module Options:

The two final digits in the part numbers specifies the Accent Panel Material option and the Foot option for the workstation.

### Accent Strip Material Options:

0 = Plastic Laminate Panel  
1 = Powder Coated Steel Panel

### Column Foot Options:

0 = 1 1/2" Leveling Glide  
1 = 4" Caster  
2 = 4" Heavy Duty Leveling Caster with Steel Accent Strip and HD Caster

Example: FV20M364824-12 =

### 36" High – 72" Deep

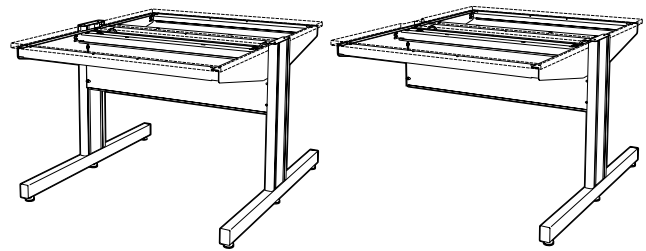
### 36" High

#### Starter

FV20M367224-__	24"L
FV20M367230-__	30"L
FV20M367236-__	36"L
FV20M367242-__	42"L
FV20M367248-__	48"L
FV20M367254-__	54"L
FV20M367260-__	60"L
FV20M367266-__	66"L
FV20M367272-__	72"L
FV20M367278-__	78"L
FV20M367284-__	84"L
FV20M367290-__	90"L
FV20M367296-__	96"L

#### Add-on

FV21M367224-__	24"L
FV21M367230-__	30"L
FV21M367236-__	36"L
FV21M367242-__	42"L
FV21M367248-__	48"L
FV21M367254-__	54"L
FV21M367260-__	60"L
FV21M367266-__	66"L
FV21M367272-__	72"L
FV21M367278-__	78"L
FV21M367284-__	84"L
FV21M367290-__	90"L
FV21M367296-__	96"L



### 54" High – 72" Deep

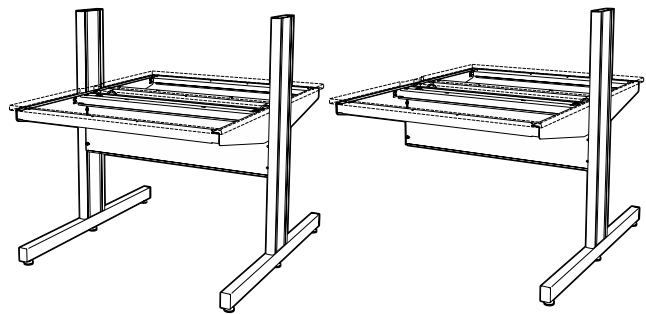
### 54" High

#### Starter

FV20M547224-__	24"L
FV20M547230-__	30"L
FV20M547236-__	36"L
FV20M547242-__	42"L
FV20M547248-__	48"L
FV20M547254-__	54"L
FV20M547260-__	60"L
FV20M547266-__	66"L
FV20M547272-__	72"L
FV20M547278-__	78"L
FV20M547284-__	84"L
FV20M547290-__	90"L
FV20M547296-__	96"L

#### Add-on

FV21M547224-__	24"L
FV21M547230-__	30"L
FV21M547236-__	36"L
FV21M547242-__	42"L
FV21M547248-__	48"L
FV21M547254-__	54"L
FV21M547260-__	60"L
FV21M547266-__	66"L
FV21M547272-__	72"L
FV21M547278-__	78"L
FV21M547284-__	84"L
FV21M547290-__	90"L
FV21M547296-__	96"L



### 84" High – 72" Deep

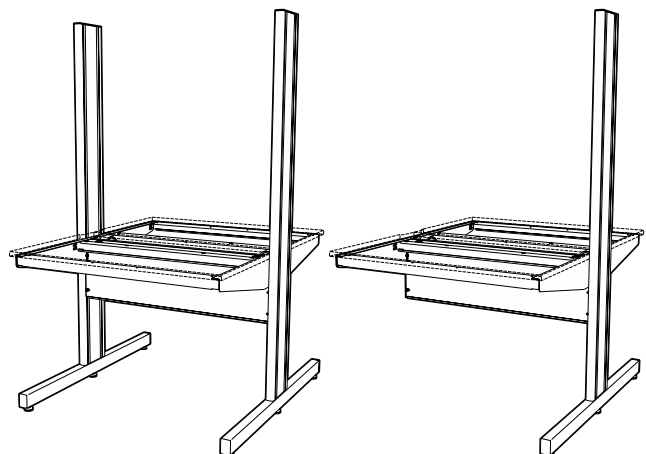
### 84" High

#### Starter

FV20M847224-__	24"L
FV20M847230-__	30"L
FV20M847236-__	36"L
FV20M847242-__	42"L
FV20M847248-__	48"L
FV20M847254-__	54"L
FV20M847260-__	60"L
FV20M847266-__	66"L
FV20M847272-__	72"L
FV20M847278-__	78"L
FV20M847284-__	84"L
FV20M847290-__	90"L
FV20M847296-__	96"L

#### Add-on

FV21M847224-__	24"L
FV21M847230-__	30"L
FV21M847236-__	36"L
FV21M847242-__	42"L
FV21M847248-__	48"L
FV21M847254-__	54"L
FV21M847260-__	60"L
FV21M847266-__	66"L
FV21M847272-__	72"L
FV21M847278-__	78"L
FV21M847284-__	84"L
FV21M847290-__	90"L
FV21M847296-__	96"L



## Single-sided – 12" Column Modules

**Single-sided 12" Column Modules** are available in three heights; 36", 54", and 84", three depths; 24", 30" and 36", and in lengths as shown — in both starter assemblies and add-on assemblies. Starter assemblies consist of two columns, a worksurface support frame, and all required

hardware. Add-on assemblies consist of one column, a worksurface support frame, and all required hardware. Workstation modules ship knocked-down for assembly in the field.

**Work Tops must be specified separately.** (see page 15)

### 36" High – 24" Deep

Starter		Add-on	
FV30M362424-__	24"L	FV31M362424-__	24"L
FV30M362430-__	30"L	FV31M362430-__	30"L
FV30M362436-__	36"L	FV31M362436-__	36"L
FV30M362442-__	42"L	FV31M362442-__	42"L
FV30M362448-__	48"L	FV31M362448-__	48"L
FV30M362454-__	54"L	FV31M362454-__	54"L
FV30M362460-__	60"L	FV31M362460-__	60"L
FV30M362466-__	66"L	FV31M362466-__	66"L
FV30M362472-__	72"L	FV31M362472-__	72"L
FV30M362478-__	78"L	FV31M362478-__	78"L
FV30M362484-__	84"L	FV31M362484-__	84"L
FV30M362490-__	90"L	FV31M362490-__	90"L
FV30M362496-__	96"L	FV31M362496-__	96"L

### 36" High – 30" Deep

Starter		Add-on	
FV30M363024-__	24"L	FV31M363024-__	24"L
FV30M363030-__	30"L	FV31M363030-__	30"L
FV30M363036-__	36"L	FV31M363036-__	36"L
FV30M363042-__	42"L	FV31M363042-__	42"L
FV30M363048-__	48"L	FV31M363048-__	48"L
FV30M363054-__	54"L	FV31M363054-__	54"L
FV30M363060-__	60"L	FV31M363060-__	60"L
FV30M363066-__	66"L	FV31M363066-__	66"L
FV30M363072-__	72"L	FV31M363072-__	72"L
FV30M363078-__	78"L	FV31M363078-__	78"L
FV30M363084-__	84"L	FV31M363084-__	84"L
FV30M363090-__	90"L	FV31M363090-__	90"L
FV30M363096-__	96"L	FV31M363096-__	96"L

### 54" High – 24" Deep

Starter		Add-on	
FV30M542424-__	24"L	FV31M542424-__	24"L
FV30M542430-__	30"L	FV31M542430-__	30"L
FV30M542436-__	36"L	FV31M542436-__	36"L
FV30M542442-__	42"L	FV31M542442-__	42"L
FV30M542448-__	48"L	FV31M542448-__	48"L
FV30M542454-__	54"L	FV31M542454-__	54"L
FV30M542460-__	60"L	FV31M542460-__	60"L
FV30M542466-__	66"L	FV31M542466-__	66"L
FV30M542472-__	72"L	FV31M542472-__	72"L
FV30M542478-__	78"L	FV31M542478-__	78"L
FV30M542484-__	84"L	FV31M542484-__	84"L
FV30M542490-__	90"L	FV31M542490-__	90"L
FV30M542496-__	96"L	FV31M542496-__	96"L

### 54" High – 30" Deep

Starter		Add-on	
FV30M543024-__	24"L	FV31M543024-__	24"L
FV30M543030-__	30"L	FV31M543030-__	30"L
FV30M543036-__	36"L	FV31M543036-__	36"L
FV30M543042-__	42"L	FV31M543042-__	42"L
FV30M543048-__	48"L	FV31M543048-__	48"L
FV30M543054-__	54"L	FV31M543054-__	54"L
FV30M543060-__	60"L	FV31M543060-__	60"L
FV30M543066-__	66"L	FV31M543066-__	66"L
FV30M543072-__	72"L	FV31M543072-__	72"L
FV30M543078-__	78"L	FV31M543078-__	78"L
FV30M543084-__	84"L	FV31M543084-__	84"L
FV30M543090-__	90"L	FV31M543090-__	90"L
FV30M543096-__	96"L	FV31M543096-__	96"L

### 84" High – 24" Deep

Starter		Add-on	
FV30M842424-__	24"L	FV31M842424-__	24"L
FV30M842430-__	30"L	FV31M842430-__	30"L
FV30M842436-__	36"L	FV31M842436-__	36"L
FV30M842442-__	42"L	FV31M842442-__	42"L
FV30M842448-__	48"L	FV31M842448-__	48"L
FV30M842454-__	54"L	FV31M842454-__	54"L
FV30M842460-__	60"L	FV31M842460-__	60"L
FV30M842466-__	66"L	FV31M842466-__	66"L
FV30M842472-__	72"L	FV31M842472-__	72"L
FV30M842478-__	78"L	FV31M842478-__	78"L
FV30M842484-__	84"L	FV31M842484-__	84"L
FV30M842490-__	90"L	FV31M842490-__	90"L
FV30M842496-__	96"L	FV31M842496-__	96"L

### 84" High – 30" Deep

Starter		Add-on	
FV30M843024-__	24"L	FV31M843024-__	24"L
FV30M843030-__	30"L	FV31M843030-__	30"L
FV30M843036-__	36"L	FV31M843036-__	36"L
FV30M843042-__	42"L	FV31M843042-__	42"L
FV30M843048-__	48"L	FV31M843048-__	48"L
FV30M843054-__	54"L	FV31M843054-__	54"L
FV30M843060-__	60"L	FV31M843060-__	60"L
FV30M843066-__	66"L	FV31M843066-__	66"L
FV30M843072-__	72"L	FV31M843072-__	72"L
FV30M843078-__	78"L	FV31M843078-__	78"L
FV30M843084-__	84"L	FV31M843084-__	84"L
FV30M843090-__	90"L	FV31M843090-__	90"L
FV30M843096-__	96"L	FV31M843096-__	96"L

## Single-sided – 12" Column Modules

### Module Options:

The two final digits in the part numbers specifies the Accent Panel Material option and the Foot option for the workstation.

### Accent Strip Material Options:

0 = Plastic Laminate Panel  
1 = Powder Coated Steel Panel

### Column Foot Options:

0 = 1 1/2" Leveling Glide  
1 = 4" Caster  
2 = 4" Heavy Duty Leveling Caster  
with Laminate Accent Strip and Glides

Example: FV30M362424-00 =

### 36" High – 36" Deep

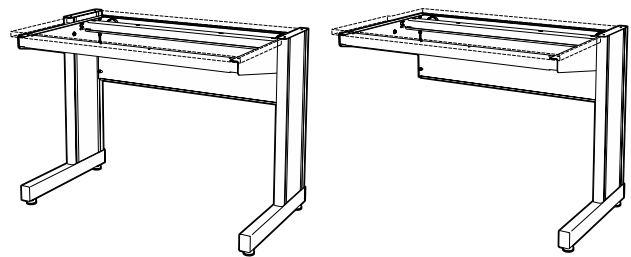
### 36" High

#### Starter

FV30M363624-__	24"L
FV30M363630-__	30"L
FV30M363636-__	36"L
FV30M363642-__	42"L
FV30M363648-__	48"L
FV30M363654-__	54"L
FV30M363660-__	60"L
FV30M363666-__	66"L
FV30M363672-__	72"L
FV30M363678-__	78"L
FV30M363684-__	84"L
FV30M363690-__	90"L
FV30M363696-__	96"L

#### Add-on

FV31M363624-__	24"L
FV31M363630-__	30"L
FV31M363636-__	36"L
FV31M363642-__	42"L
FV31M363648-__	48"L
FV31M363654-__	54"L
FV31M363660-__	60"L
FV31M363666-__	66"L
FV31M363672-__	72"L
FV31M363678-__	78"L
FV31M363684-__	84"L
FV31M363690-__	90"L
FV31M363696-__	96"L



### 54" High – 36" Deep

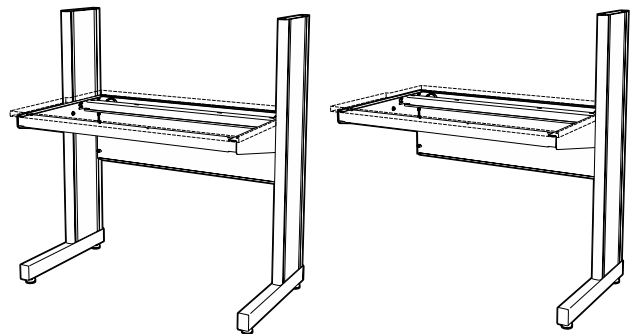
### 54" High

#### Starter

FV30M543624-__	24"L
FV30M543630-__	30"L
FV30M543636-__	36"L
FV30M543642-__	42"L
FV30M543648-__	48"L
FV30M543654-__	54"L
FV30M543660-__	60"L
FV30M543666-__	66"L
FV30M543672-__	72"L
FV30M543678-__	78"L
FV30M543684-__	84"L
FV30M543690-__	90"L
FV30M543696-__	96"L

#### Add-on

FV31M543624-__	24"L
FV31M543630-__	30"L
FV31M543636-__	36"L
FV31M543642-__	42"L
FV31M543648-__	48"L
FV31M543654-__	54"L
FV31M543660-__	60"L
FV31M543666-__	66"L
FV31M543672-__	72"L
FV31M543678-__	78"L
FV31M543684-__	84"L
FV31M543690-__	90"L
FV31M543696-__	96"L



### 84" High – 36" Deep

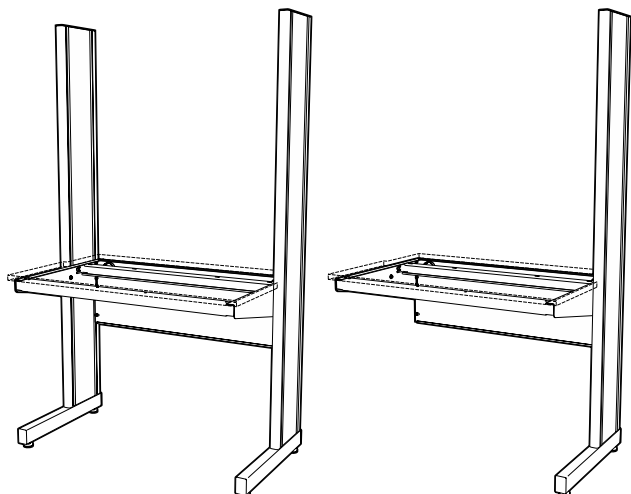
### 84" High

#### Starter

FV30M843624-__	24"L
FV30M843630-__	30"L
FV30M843636-__	36"L
FV30M843642-__	42"L
FV30M843648-__	48"L
FV30M843654-__	54"L
FV30M843660-__	60"L
FV30M843666-__	66"L
FV30M843672-__	72"L
FV30M843678-__	78"L
FV30M843684-__	84"L
FV30M843690-__	90"L
FV30M843696-__	96"L

#### Add-on

FV31M843624-__	24"L
FV31M843630-__	30"L
FV31M843636-__	36"L
FV31M843642-__	42"L
FV31M843648-__	48"L
FV31M843654-__	54"L
FV31M843660-__	60"L
FV31M843666-__	66"L
FV31M843672-__	72"L
FV31M843678-__	78"L
FV31M843684-__	84"L
FV31M843690-__	90"L
FV31M843696-__	96"L



# Double-sided – 12" Column Modules

**Double-sided 12" Column Workstations** are available in three heights; 36", 54", and 84", three depths; 48", 60" and 72", and in lengths as shown — in both starter assemblies and add-on assemblies. Starter assemblies consist of two columns, two worksurface support frames, and all

required hardware. Add-on assemblies consist of one column, two worksurface support frames, and all required hardware. Workstation modules ship knocked-down for assembly in the field.

**Work Tops must be specified separately.** (see page 15)

## 36" High – 48" Deep

Starter		Add-on	
FV40M364824-__	24"L	FV41M364824-__	24"L
FV40M364830-__	30"L	FV41M364830-__	30"L
FV40M364836-__	36"L	FV41M364836-__	36"L
FV40M364842-__	42"L	FV41M364842-__	42"L
FV40M364848-__	48"L	FV41M364848-__	48"L
FV40M364854-__	54"L	FV41M364854-__	54"L
FV40M364860-__	60"L	FV41M364860-__	60"L
FV40M364866-__	66"L	FV41M364866-__	66"L
FV40M364872-__	72"L	FV41M364872-__	72"L
FV40M364878-__	78"L	FV41M364878-__	78"L
FV40M364884-__	84"L	FV41M364884-__	84"L
FV40M364890-__	90"L	FV41M364890-__	90"L
FV40M364896-__	96"L	FV41M364896-__	96"L

## 36" High – 60" Deep

Starter		Add-on	
FV40M366024-__	24"L	FV41M366024-__	24"L
FV40M366030-__	30"L	FV41M366030-__	30"L
FV40M366036-__	36"L	FV41M366036-__	36"L
FV40M366042-__	42"L	FV41M366042-__	42"L
FV40M366048-__	48"L	FV41M366048-__	48"L
FV40M366054-__	54"L	FV41M366054-__	54"L
FV40M366060-__	60"L	FV41M366060-__	60"L
FV40M366066-__	66"L	FV41M366066-__	66"L
FV40M366072-__	72"L	FV41M366072-__	72"L
FV40M366078-__	78"L	FV41M366078-__	78"L
FV40M366084-__	84"L	FV41M366084-__	84"L
FV40M366090-__	90"L	FV41M366090-__	90"L
FV40M366096-__	96"L	FV41M366096-__	96"L

## 54" High – 48" Deep

Starter		Add-on	
FV40M544824-__	24"L	FV41M544824-__	24"L
FV40M544830-__	30"L	FV41M544830-__	30"L
FV40M544836-__	36"L	FV41M544836-__	36"L
FV40M544842-__	42"L	FV41M544842-__	42"L
FV40M544848-__	48"L	FV41M544848-__	48"L
FV40M544854-__	54"L	FV41M544854-__	54"L
FV40M544860-__	60"L	FV41M544860-__	60"L
FV40M544866-__	66"L	FV41M544866-__	66"L
FV40M544872-__	72"L	FV41M544872-__	72"L
FV40M544878-__	78"L	FV41M544878-__	78"L
FV40M544884-__	84"L	FV41M544884-__	84"L
FV40M544890-__	90"L	FV41M544890-__	90"L
FV40M544896-__	96"L	FV41M544896-__	96"L

## 54" High – 60" Deep

Starter		Add-on	
FV40M546024-__	24"L	FV41M546024-__	24"L
FV40M546030-__	30"L	FV41M546030-__	30"L
FV40M546036-__	36"L	FV41M546036-__	36"L
FV40M546042-__	42"L	FV41M546042-__	42"L
FV40M546048-__	48"L	FV41M546048-__	48"L
FV40M546054-__	54"L	FV41M546054-__	54"L
FV40M546060-__	60"L	FV41M546060-__	60"L
FV40M546066-__	66"L	FV41M546066-__	66"L
FV40M546072-__	72"L	FV41M546072-__	72"L
FV40M546078-__	78"L	FV41M546078-__	78"L
FV40M546084-__	84"L	FV41M546084-__	84"L
FV40M546090-__	90"L	FV41M546090-__	90"L
FV40M546096-__	96"L	FV41M546096-__	96"L

## 84" High – 48" Deep

Starter		Add-on	
FV40M844824-__	24"L	FV41M844824-__	24"L
FV40M844830-__	30"L	FV41M844830-__	30"L
FV40M844836-__	36"L	FV41M844836-__	36"L
FV40M844842-__	42"L	FV41M844842-__	42"L
FV40M844848-__	48"L	FV41M844848-__	48"L
FV40M844854-__	54"L	FV41M844854-__	54"L
FV40M844860-__	60"L	FV41M844860-__	60"L
FV40M844866-__	66"L	FV41M844866-__	66"L
FV40M844872-__	72"L	FV41M844872-__	72"L
FV40M844878-__	78"L	FV41M844878-__	78"L
FV40M844884-__	84"L	FV41M844884-__	84"L
FV40M844890-__	90"L	FV41M844890-__	90"L
FV40M844896-__	96"L	FV41M844896-__	96"L

## 84" High – 60" Deep

Starter		Add-on	
FV40M846024-__	24"L	FV41M846024-__	24"L
FV40M846030-__	30"L	FV41M846030-__	30"L
FV40M846036-__	36"L	FV41M846036-__	36"L
FV40M846042-__	42"L	FV41M846042-__	42"L
FV40M846048-__	48"L	FV41M846048-__	48"L
FV40M846054-__	54"L	FV41M846054-__	54"L
FV40M846060-__	60"L	FV41M846060-__	60"L
FV40M846066-__	66"L	FV41M846066-__	66"L
FV40M846072-__	72"L	FV41M846072-__	72"L
FV40M846078-__	78"L	FV41M846078-__	78"L
FV40M846084-__	84"L	FV41M846084-__	84"L
FV40M846090-__	90"L	FV41M846090-__	90"L
FV40M846096-__	96"L	FV41M846096-__	96"L

## Double-sided – 12" Column Modules

### Workstation Options:

The two final digits in the part numbers specifies the Accent Panel Material option and the Foot option for the workstation.

### Accent Panel Material Options:

0 = Plastic Laminate Panel  
1 = Powder Coated Steel Panel

### Workstation Foot Options:

0 = 1 1/2" Leveling Glide  
1 = 4" Caster  
2 = 4" Heavy Duty Leveling Caster  
with Steel Accent Strip and 4" Caster

Example: FV40M364824-11 =

### 36" High – 72" Deep

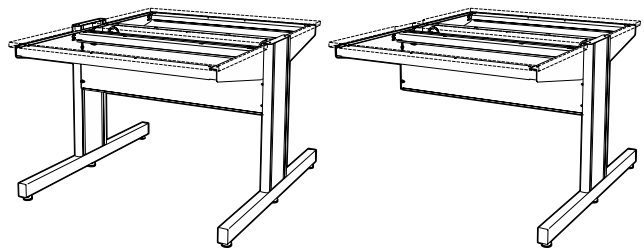
### 36" High

#### Starter

FV40M367224-__	24"L
FV40M367230-__	30"L
FV40M367236-__	36"L
FV40M367242-__	42"L
FV40M367248-__	48"L
FV40M367254-__	54"L
FV40M367260-__	60"L
FV40M367266-__	66"L
FV40M367272-__	72"L
FV40M367278-__	78"L
FV40M367284-__	84"L
FV40M367290-__	90"L
FV40M367296-__	96"L

#### Add-on

FV41M367224-__	24"L
FV41M367230-__	30"L
FV41M367236-__	36"L
FV41M367242-__	42"L
FV41M367248-__	48"L
FV41M367254-__	54"L
FV41M367260-__	60"L
FV41M367266-__	66"L
FV41M367272-__	72"L
FV41M367278-__	78"L
FV41M367284-__	84"L
FV41M367290-__	90"L
FV41M367296-__	96"L



### 54" High – 72" Deep

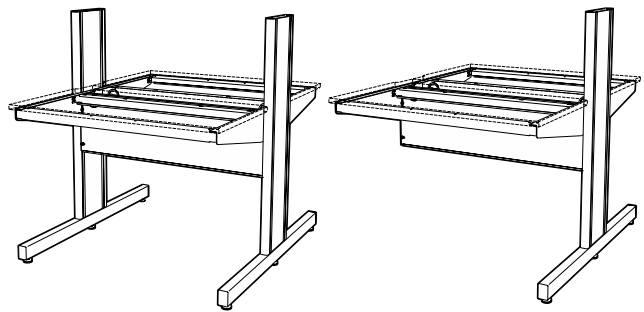
### 54" High

#### Starter

FV40M547224-__	24"L
FV40M547230-__	30"L
FV40M547236-__	36"L
FV40M547242-__	42"L
FV40M547248-__	48"L
FV40M547254-__	54"L
FV40M547260-__	60"L
FV40M547266-__	66"L
FV40M547272-__	72"L
FV40M547278-__	78"L
FV40M547284-__	84"L
FV40M547290-__	90"L
FV40M547296-__	96"L

#### Add-on

FV41M547224-__	24"L
FV41M547230-__	30"L
FV41M547236-__	36"L
FV41M547242-__	42"L
FV41M547248-__	48"L
FV41M547254-__	54"L
FV41M547260-__	60"L
FV41M547266-__	66"L
FV41M547272-__	72"L
FV41M547278-__	78"L
FV41M547284-__	84"L
FV41M547290-__	90"L
FV41M547296-__	96"L



### 84" High – 72" Deep

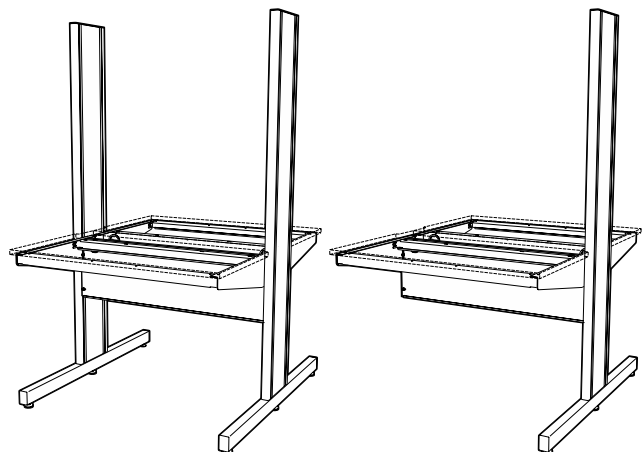
### 84" High

#### Starter

FV40M847224-__	24"L
FV40M847230-__	30"L
FV40M847236-__	36"L
FV40M847242-__	42"L
FV40M847248-__	48"L
FV40M847254-__	54"L
FV40M847260-__	60"L
FV40M847266-__	66"L
FV40M847272-__	72"L
FV40M847278-__	78"L
FV40M847284-__	84"L
FV40M847290-__	90"L
FV40M847296-__	96"L

#### Add-on

FV41M847224-__	24"L
FV41M847230-__	30"L
FV41M847236-__	36"L
FV41M847242-__	42"L
FV41M847248-__	48"L
FV41M847254-__	54"L
FV41M847260-__	60"L
FV41M847266-__	66"L
FV41M847272-__	72"L
FV41M847278-__	78"L
FV41M847284-__	84"L
FV41M847290-__	90"L
FV41M847296-__	96"L



# Work Tops

**Work Tops** are available in four materials, 1" thick and with or without an extra 1" of length on either the left, right, or both ends to extend the length of the top to be even with the outside of the column. See page 4 for available color options.

**Work Top Material Codes:**

- P** = Plastic Laminate
- R** = Kemresin
- E** = ESD Laminate
- T** = Phenolic Resin

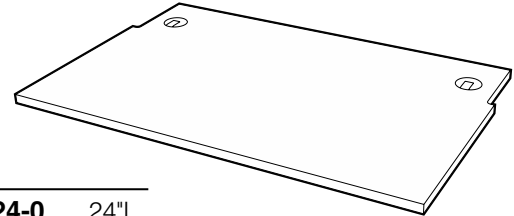
**Extended Length Option:**

- 0** = Standard Length
- L** = Extended on Left End
- R** = Extended on Right End
- B** = Extended on Both Ends

**Example:** FV90P013060-00  
Standard length Plastic Laminate top

**Example:** FV91P016060-0B  
Work top extended both ends

## Work Top for Single-sided 9" Column Workstation



**24" Deep**

FV90	012424-0	24"L
FV90	012430-0	30"L
FV90	012436-0	36"L
FV90	012442-0	42"L
FV90	012448-0	48"L
FV90	012454-0	54"L
FV90	012460-0	60"L
FV90	012466-0	66"L
FV90	012472-0	72"L
FV90	012478-0	78"L
FV90	012484-0	84"L
FV90	012490-0	90"L
FV90	012496-0	96"L

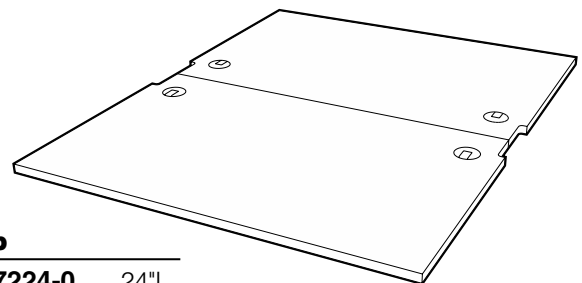
**30" Deep**

FV90	013024-0	24"L
FV90	013030-0	30"L
FV90	013036-0	36"L
FV90	013042-0	42"L
FV90	013048-0	48"L
FV90	013054-0	54"L
FV90	013060-0	60"L
FV90	013066-0	66"L
FV90	013072-0	72"L
FV90	013078-0	78"L
FV90	013084-0	84"L
FV90	013090-0	90"L
FV90	013096-0	96"L

**36" Deep**

FV90	013624-0	24"L
FV90	013630-0	30"L
FV90	013636-0	36"L
FV90	013642-0	42"L
FV90	013648-0	48"L
FV90	013654-0	54"L
FV90	013660-0	60"L
FV90	013666-0	66"L
FV90	013672-0	72"L
FV90	013678-0	78"L
FV90	013684-0	84"L
FV90	013690-0	90"L
FV90	013696-0	96"L

## Work Top for Double-sided 9" Column Workstation



**48" Deep**

FV91	014824-0	24"L
FV91	014830-0	30"L
FV91	014836-0	36"L
FV91	014842-0	42"L
FV91	014848-0	48"L
FV91	014854-0	54"L
FV91	014860-0	60"L
FV91	014866-0	66"L
FV91	014872-0	72"L
FV91	014878-0	78"L
FV91	014884-0	84"L
FV91	014890-0	90"L
FV91	014896-0	96"L

**60" Deep**

FV91	016024-0	24"L
FV91	016030-0	30"L
FV91	016036-0	36"L
FV91	016042-0	42"L
FV91	016048-0	48"L
FV91	016054-0	54"L
FV91	016060-0	60"L
FV91	016066-0	66"L
FV91	016072-0	72"L
FV91	016078-0	78"L
FV91	016084-0	84"L
FV91	016090-0	90"L
FV91	016096-0	96"L

**72" Deep**

FV91	017224-0	24"L
FV91	017230-0	30"L
FV91	017236-0	36"L
FV91	017242-0	42"L
FV91	017248-0	48"L
FV91	017254-0	54"L
FV91	017260-0	60"L
FV91	017266-0	66"L
FV91	017272-0	72"L
FV91	017278-0	78"L
FV91	017284-0	84"L
FV91	017290-0	90"L
FV91	017296-0	96"L



## Work Tops

**Work Tops** are available in four materials and with or without an extra 1" of length on either the left, right, or both ends to extend the length of the top to be even with the outside of the column. See page 4 for available color options.

### Work Top Material Codes:

- P** = Plastic Laminate
- R** = Kemresin
- E** = ESD Laminate
- T** = Phenolic Resin

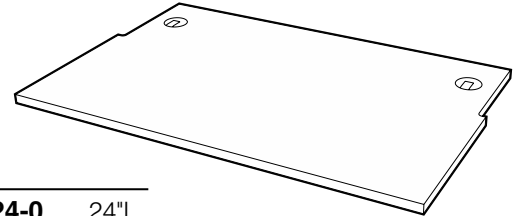
**Example:** FV92P013060-00  
Standard length Plastic Laminate top

### Extended Length Option:

- 0** = Standard Length
- L** = Extended on Left End
- R** = Extended on Right End
- B** = Extended on Both Ends

**Example:** FV93P016060-0B  
Work top extended both ends

### Work Top for Single-sided 12" Column Workstation



#### 24" Deep

FV92	012424-0	24"L
FV92	012430-0	30"L
FV92	012436-0	36"L
FV92	012442-0	42"L
FV92	012448-0	48"L
FV92	012454-0	54"L
FV92	012460-0	60"L
FV92	012466-0	66"L
FV92	012472-0	72"L
FV92	012478-0	78"L
FV92	012484-0	84"L
FV92	012490-0	90"L
FV92	012496-0	96"L

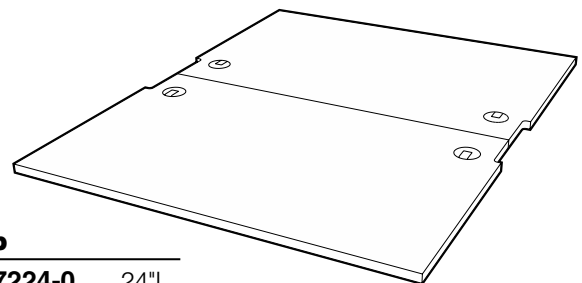
#### 30" Deep

FV92	013024-0	24"L
FV92	013030-0	30"L
FV92	013036-0	36"L
FV92	013042-0	42"L
FV92	013048-0	48"L
FV92	013054-0	54"L
FV92	013060-0	60"L
FV92	013066-0	66"L
FV92	013072-0	72"L
FV92	013078-0	78"L
FV92	013084-0	84"L
FV92	013090-0	90"L
FV92	013096-0	96"L

#### 36" Deep

FV92	013624-0	24"L
FV92	013630-0	30"L
FV92	013636-0	36"L
FV92	013642-0	42"L
FV92	013648-0	48"L
FV92	013654-0	54"L
FV92	013660-0	60"L
FV92	013666-0	66"L
FV92	013672-0	72"L
FV92	013678-0	78"L
FV92	013684-0	84"L
FV92	013690-0	90"L
FV92	013696-0	96"L

### Work Top for Double-sided 12" Column Workstation



#### 48" Deep

FV93	014824-0	24"L
FV93	014830-0	30"L
FV93	014836-0	36"L
FV93	014842-0	42"L
FV93	014848-0	48"L
FV93	014854-0	54"L
FV93	014860-0	60"L
FV93	014866-0	66"L
FV93	014872-0	72"L
FV93	014878-0	78"L
FV93	014884-0	84"L
FV93	014890-0	90"L
FV93	014896-0	96"L

#### 60" Deep

FV93	016024-0	24"L
FV93	016030-0	30"L
FV93	016036-0	36"L
FV93	016042-0	42"L
FV93	016048-0	48"L
FV93	016054-0	54"L
FV93	016060-0	60"L
FV93	016066-0	66"L
FV93	016072-0	72"L
FV93	016078-0	78"L
FV93	016084-0	84"L
FV93	016090-0	90"L
FV93	016096-0	96"L

#### 72" Deep

FV93	017224-0	24"L
FV93	017230-0	30"L
FV93	017236-0	36"L
FV93	017242-0	42"L
FV93	017248-0	48"L
FV93	017254-0	54"L
FV93	017260-0	60"L
FV93	017266-0	66"L
FV93	017272-0	72"L
FV93	017278-0	78"L
FV93	017284-0	84"L
FV93	017290-0	90"L
FV93	017296-0	96"L

# Corner Modules – 9" Column

**Evolution Corner Modules** are designed to be added to two starter workstation modules to create an "L" shaped assembly. They are available in two different configurations; square or diagonal and in three depths; 24", 30", and 36" to match workstation depths.

**Square Corner Support Frames** include: two support brackets, and an adjustable height rear corner support leg.

**Diagonal Corner Support Frames** include: two support brackets, a front apron, two modesty panels, and an adjustable height rear corner support leg.

**Work Tops must be specified separately.**

**Work Tops** are available in four materials and with or without an extra 1" of length on either the left or right ends to extend the length of the top to be even with the outside of the column. See page 4 for available color options.

**Work Top Material Codes:**

- P** = Plastic Laminate
- R** = Kemresin
- E** = ESD Laminate
- T** = Phenolic Resin

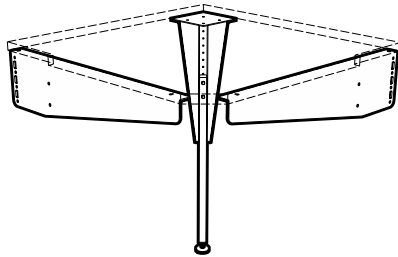
**Example:** FV14P013032-00  
Standard length Plastic Laminate top

**Extended Length Option:**

- 0** = Standard Length
- L** = Extended on Left End
- R** = Extended on Right End

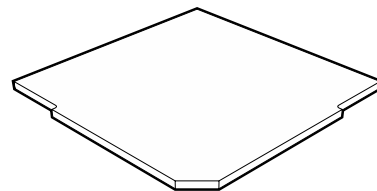
**Example:** FV15T013046-0R  
Phenolic Resin work top extended right end

**Square Corner Support Frame – 9" Column**



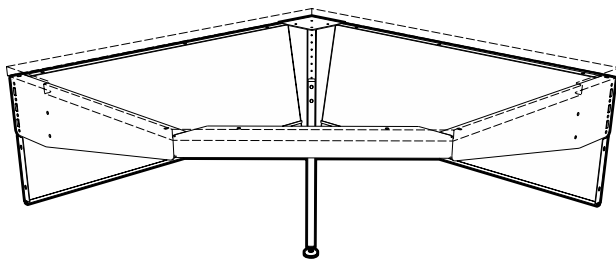
- FV14M062426-00** 24"D x 26"L
- FV14M063032-00** 30"D x 32"L
- FV14M063638-00** 36"D x 38"L

**Square Corner Work Top – 9" Column**



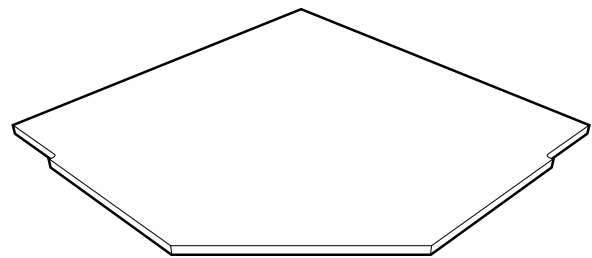
- FV94□012426-\_\_** 24"D x 26"L
- FV94 013032-\_\_** 30"D x 32"L
- FV94□013638-\_\_** 36"D x 38"L

**Diagonal Corner Support Frame – 9" Column**



- FV15M062440-00** 24"D x 40"L
- FV15M063046-00** 30"D x 46"L
- FV15M063652-00** 36"D x 52"L

**Diagonal Corner Work Top – 9" Column**



- FV95□012440-\_\_** 24"D x 40"L
- FV95□013046-\_\_** 30"D x 46"L
- FV95□013652-\_\_** 36"D x 52"L

# Corner Modules – 12" Column

**Evolution Corner Modules** are designed to be added to two starter workstation modules to create an “L” shaped assembly. They are available in two different configurations; square or diagonal and in three depths; 24”, 30”, and 36” to match workstation depths.

**Square Corner Support Frames** include: two support brackets, and an adjustable height rear corner support leg.

**Diagonal Corner Support Frames** include: two support brackets, a front apron, two modesty panels, and an adjustable height rear corner support leg.

**Work Tops must be specified separately.**

**Work Tops** are available in four materials and with or without an extra 1" of length on either the left or right ends to extend the length of the top to be even with the outside of the column. See page 4 for available color options.

**Work Top Material Codes:**

- P** = Plastic Laminate
- R** = Kemresin
- E** = ESD Laminate
- T** = Phenolic Resin

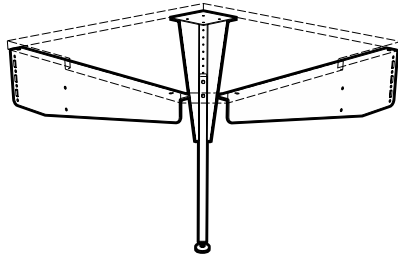
**Example:** FV14P013032-00  
Standard length Plastic Laminate top

**Extended Length Option:**

- 0** = Standard Length
- L** = Extended on Left End
- R** = Extended on Right End

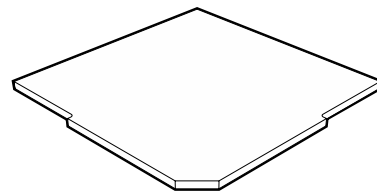
**Example:** FV15T013046-0R  
Phenolic Resin work top extended right end

**Square Corner Support Frame — 12" Column**



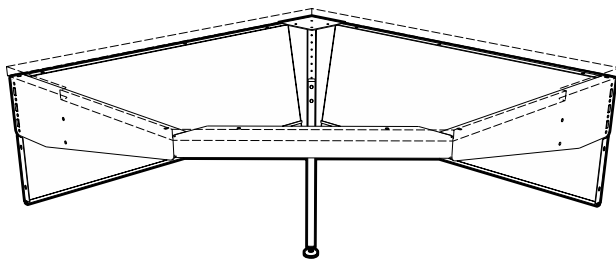
- FV34M062426-00** 24"D x 26"L
- FV34M063032-00** 30"D x 32"L
- FV34M063638-00** 36"D x 38"L

**Square Corner Work Top — 12" Column**



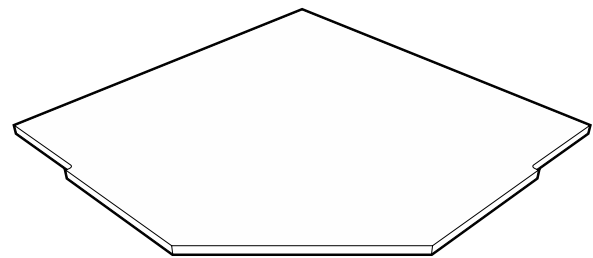
- FV96□012426-\_\_** 24"D x 26"L
- FV96□013032-\_\_** 30"D x 32"L
- FV96□013638-\_\_** 36"D x 38"L

**Diagonal Corner Support Frame — 12" Column**



- FV35M062440-00** 24"D x 40"L
- FV35M063046-00** 30"D x 46"L
- FV35M063652-00** 36"D x 52"L

**Diagonal Corner Work Top — 12" Column**



- FV97□012440-\_\_** 24"D x 40"L
- FV97□013046-\_\_** 30"D x 46"L
- FV97□013652-\_\_** 36"D x 52"L

# Worksurface Frames

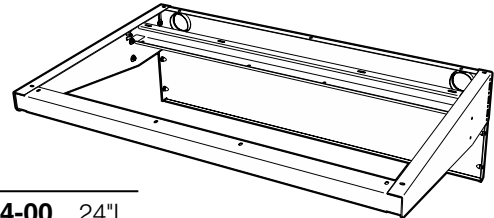
**Worksurface Frames** may be used between two stand-alone workstations to create a multi-module assembly.

30" and 36" deep frames also include a rear cabinet hanging rail.

Work Tops are not included and must be specified separately. (see page 14)

Each frame assembly consists of two worksurface support brackets, a front worksurface support apron, a modesty panel and all hardware required for assembly.

## Worksurface Frame for Single-sided 9" Column Workstation



### 24" Deep

FV80M062424-00	24"L
FV80M062430-00	30"L
FV80M062436-00	36"L
FV80M062442-00	42"L
FV80M062448-00	48"L
FV80M062454-00	54"L
FV80M062460-00	60"L
FV80M062466-00	66"L
FV80M062472-00	72"L
FV80M062478-00	78"L
FV80M062484-00	84"L
FV80M062490-00	90"L
FV80M062496-00	96"L

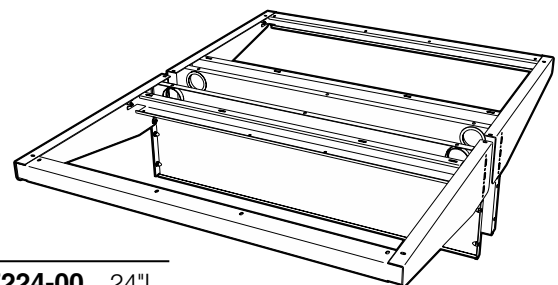
### 30" Deep

FV80M063024-00	24"L
FV80M063030-00	30"L
FV80M063036-00	36"L
FV80M063042-00	42"L
FV80M063048-00	48"L
FV80M063054-00	54"L
FV80M063060-00	60"L
FV80M063066-00	66"L
FV80M063072-00	72"L
FV80M063078-00	78"L
FV80M063084-00	84"L
FV80M063090-00	90"L
FV80M063096-00	96"L

### 36" Deep

FV80M063624-00	24"L
FV80M063630-00	30"L
FV80M063636-00	36"L
FV80M063642-00	42"L
FV80M063648-00	48"L
FV80M063654-00	54"L
FV80M063660-00	60"L
FV80M063666-00	66"L
FV80M063672-00	72"L
FV80M063678-00	78"L
FV80M063684-00	84"L
FV80M063690-00	90"L
FV80M063696-00	96"L

## Worksurface Frame for Double-sided 9" Column Workstation



### 48" Deep

FV81M064824-00	24"L
FV81M064830-00	30"L
FV81M064836-00	36"L
FV81M064842-00	42"L
FV81M064848-00	48"L
FV81M064854-00	54"L
FV81M064860-00	60"L
FV81M064866-00	66"L
FV81M064872-00	72"L
FV81M064878-00	78"L
FV81M064884-00	84"L
FV81M064890-00	90"L
FV81M064896-00	96"L

### 60" Deep

FV81M066024-00	24"L
FV81M066030-00	30"L
FV81M066036-00	36"L
FV81M066042-00	42"L
FV81M066048-00	48"L
FV81M066054-00	54"L
FV81M066060-00	60"L
FV81M066066-00	66"L
FV81M066072-00	72"L
FV81M066078-00	78"L
FV81M066084-00	84"L
FV81M066090-00	90"L
FV81M066096-00	96"L

### 72" Deep

FV81M067224-00	24"L
FV81M067230-00	30"L
FV81M067236-00	36"L
FV81M067242-00	42"L
FV81M067248-00	48"L
FV81M067254-00	54"L
FV81M067260-00	60"L
FV81M067266-00	66"L
FV81M067272-00	72"L
FV81M067278-00	78"L
FV81M067284-00	84"L
FV81M067290-00	90"L
FV81M067296-00	96"L

## Worksurface Frames

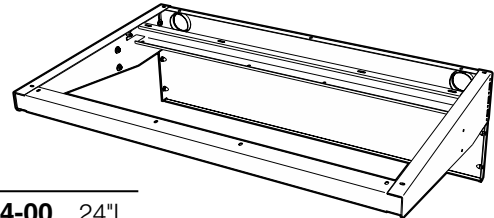
**Worksurface Frames** may be used between two stand-alone workstations to create a multi-module assembly.

30" and 36" deep frames also include a rear cabinet hanging rail.

Work Tops are not included and must be specified separately. (see page 15)

Each frame assembly consists of two worksurface support brackets, a front worksurface support apron, a modesty panel and all hardware required for assembly.

### Worksurface Frame for Single-sided 12" Column Workstation



#### 24" Deep

FV82M062424-00	24"L
FV82M062430-00	30"L
FV82M062436-00	36"L
FV82M062442-00	42"L
FV82M062448-00	48"L
FV82M062454-00	54"L
FV82M062460-00	60"L
FV82M062466-00	66"L
FV82M062472-00	72"L
FV82M062478-00	78"L
FV82M062484-00	84"L
FV82M062490-00	90"L
FV82M062496-00	96"L

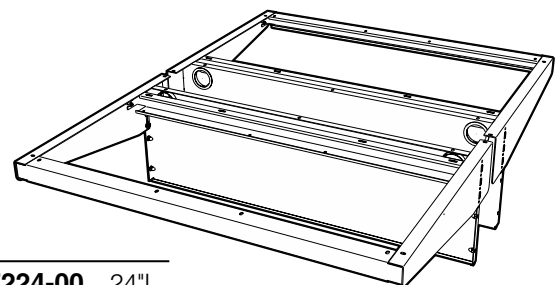
#### 30" Deep

FV82M063024-00	24"L
FV82M063030-00	30"L
FV82M063036-00	36"L
FV82M063042-00	42"L
FV82M063048-00	48"L
FV82M063054-00	54"L
FV82M063060-00	60"L
FV82M063066-00	66"L
FV82M063072-00	72"L
FV82M063078-00	78"L
FV82M063084-00	84"L
FV82M063090-00	90"L
FV82M063096-00	96"L

#### 36" Deep

FV82M063624-00	24"L
FV82M063630-00	30"L
FV82M063636-00	36"L
FV82M063642-00	42"L
FV82M063648-00	48"L
FV82M063654-00	54"L
FV82M063660-00	60"L
FV82M063666-00	66"L
FV82M063672-00	72"L
FV82M063678-00	78"L
FV82M063684-00	84"L
FV82M063690-00	90"L
FV82M063696-00	96"L

### Worksurface Frame for Double-sided 12" Column Workstation



#### 48" Deep

FV83M064824-00	24"L
FV83M064830-00	30"L
FV83M064836-00	36"L
FV83M064842-00	42"L
FV83M064848-00	48"L
FV83M064854-00	54"L
FV83M064860-00	60"L
FV83M064866-00	66"L
FV83M064872-00	72"L
FV83M064878-00	78"L
FV83M064884-00	84"L
FV83M064890-00	90"L
FV83M064896-00	96"L

#### 60" Deep

FV83M066024-___	24"L
FV83M066030-___	30"L
FV83M066036-___	36"L
FV83M066042-___	42"L
FV83M066048-___	48"L
FV83M066054-___	54"L
FV83M066060-___	60"L
FV83M066066-___	66"L
FV83M066072-___	72"L
FV83M066078-___	78"L
FV83M066084-___	84"L
FV83M066090-___	90"L
FV83M066096-___	96"L

#### 72" Deep

FV83M067224-00	24"L
FV83M067230-00	30"L
FV83M067236-00	36"L
FV83M067242-00	42"L
FV83M067248-00	48"L
FV83M067254-00	54"L
FV83M067260-00	60"L
FV83M067266-00	66"L
FV83M067272-00	72"L
FV83M067278-00	78"L
FV83M067284-00	84"L
FV83M067290-00	90"L
FV83M067296-00	96"L

# Columns

Columns are available individually for replacement purposes and custom applications.

The two final digits in the part number specifies the Accent Strip Material option and the Foot option for the column.

**Accent Strip Material Options:**

- 0 = Plastic Laminate Panel
- 1 = Powder Coated Steel Panel

**Workstation Foot Options:**

- 0 = 1 1/2" Leveling Glide
- 1 = 4" Caster
- 2 = 4" Heavy Duty Leveling Caster

**Example:** FV01M36301-11 = with Steel Accent Panel and 4" Caster

**9" Single-sided Columns**

**36" High**

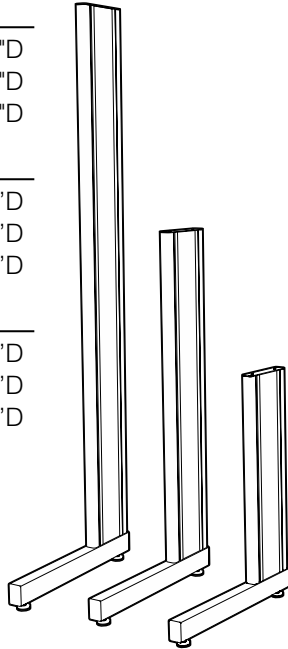
- FV01M362402-\_\_ 24"D
- FV01M363002-\_\_ 30"D
- FV01M363602-\_\_ 36"D

**54" High**

- FV01M542402-\_\_ 24"D
- FV01M543002-\_\_ 30"D
- FV01M543602-\_\_ 36"D

**84" High**

- FV01M842402-\_\_ 24"D
- FV01M843002-\_\_ 30"D
- FV01M843602-\_\_ 36"D



**9" Double-sided Columns**

**36" High**

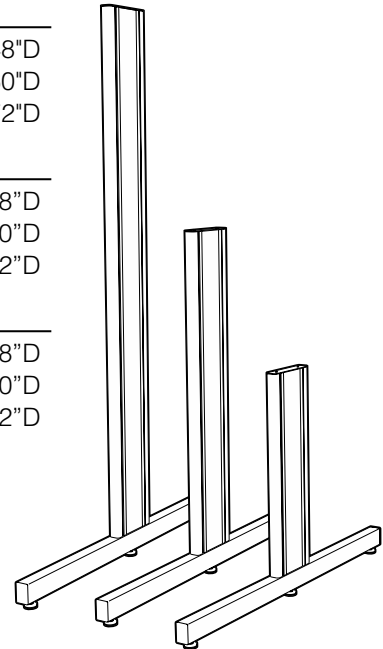
- FV02M364802-\_\_ 48"D
- FV02M366002-\_\_ 60"D
- FV02M367202-\_\_ 72"D

**54" High**

- FV02M544802-\_\_ 48"D
- FV02M546002-\_\_ 60"D
- FV02M547202-\_\_ 72"D

**84" High**

- FV02M844802-\_\_ 48"D
- FV02M846002-\_\_ 60"D
- FV02M847202-\_\_ 72"D



**12" Single-sided Columns**

**36" High**

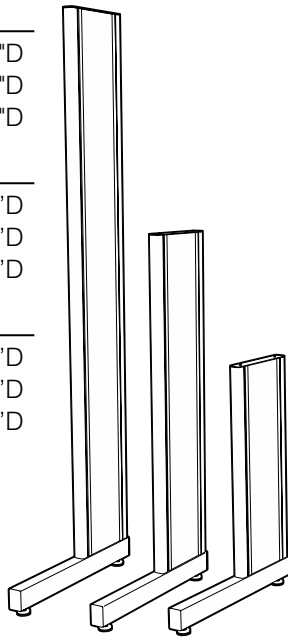
- FV03M362402-\_\_ 24"D
- FV03M363002-\_\_ 30"D
- FV03M363602-\_\_ 36"D

**54" High**

- FV03M542402-\_\_ 24"D
- FV03M543002-\_\_ 30"D
- FV03M543602-\_\_ 36"D

**84" High**

- FV03M842402-\_\_ 24"D
- FV03M843002-\_\_ 30"D
- FV03M843602-\_\_ 36"D



**12" Double-sided Columns**

**36" High**

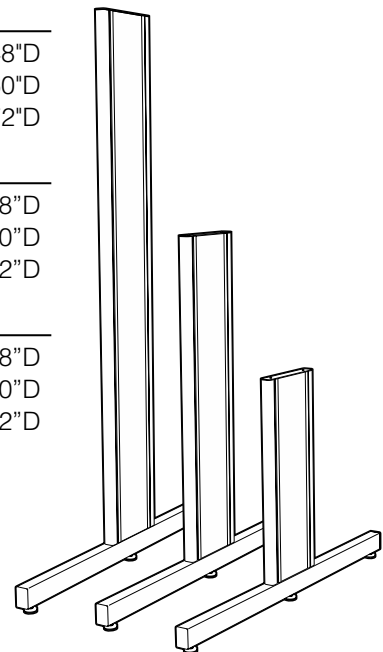
- FV04M364802-\_\_ 48"D
- FV04M366002-\_\_ 60"D
- FV04M367202-\_\_ 72"D

**54" High**

- FV04M544802-\_\_ 48"D
- FV04M546002-\_\_ 60"D
- FV04M547202-\_\_ 72"D

**84" High**

- FV04M844802-\_\_ 48"D
- FV04M846002-\_\_ 60"D
- FV04M847202-\_\_ 72"D



# Evolution Shelving

## Shelf Assembly Part Number Explanation

**FV 60M 031536 - 00**

**System Type**

FV = Evolution

**Shelf Type**

- 57 = Universal – Single-sided Undermount
- 58 = Universal – Single-sided Bookend
- 59 = Universal – Double-sided Undermount
- 60 = 9" Column – Single-sided Undermount
- 61 = 12" Column – Single-sided Undermount
- 62 = 9" Column – Single-sided Bookend
- 63 = 12" Column – Single-sided Bookend
- 64 = 9" Column – Double-sided Bookend
- 65 = 12" Column – Double-sided Bookend
- 66 = 9" Column – Center Undermount
- 67 = 12" Column – Center Undermount

**Shelf Material**

M = Powder Coated Steel

**Options** (see below)

**Separator**

**Shelf Length**

Standard Lengths: 24" - 30" - 36" - 42" - 48"  
54" - 60" - 66" - 72" - 78" - 84" - 90" - 96"

**Shelf Depth**

Standard Depths: 12" – 15" – 18" – 24"

**Center Undermount Shelving**

Standard Depths: 12" – 15" – 18" – 24" – 30" – 36"

**Shelf Bracket Height**

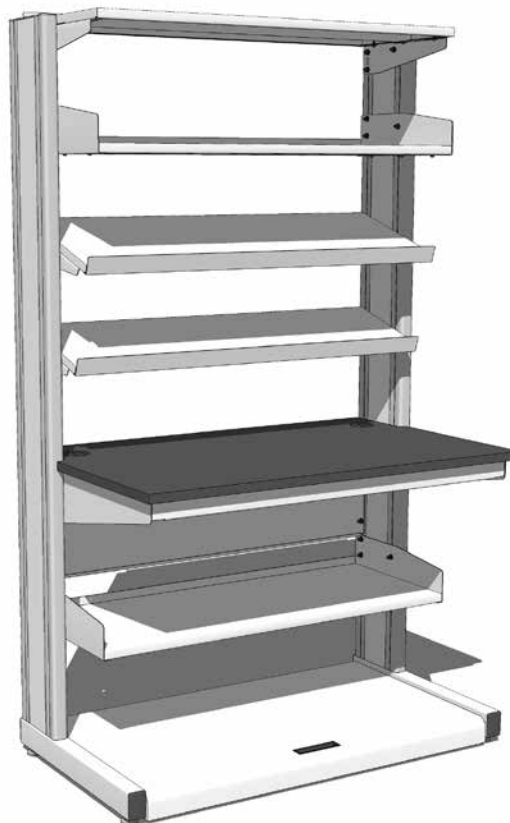
Standard Heights: 2" – 3" – 5"

## Shelf Options

**FV 60M 031536 - 00**

**Shelf Lip Option**

- 00 = No Shelf Lips
- 01 = One Shelf Lip
- 02 = Two Shelf Lips (front & back)
- 03 = Three Shelf Lips (for FV66 Center Shelving only)



# Single-sided Shelving for 9" Column

**Single-sided Undermount Shelves** consist of a pair of powder coated, 12 gauge steel shelf brackets and a 1" thick, powder coated, 14 gauge steel shelf. Shelves are infinitely height adjustable from above the worksurface to the top of the column and have limited mounting below

worksurface. Shelves mount flush with the rear of workstation columns and are available with or without retaining lips.

**Shelf Retaining Lip Options:**

- 00** = No shelf lip
- 01** = Shelf Lip on one edge
- 02** = Shelf Lip on both edges

**Example:** FV57M031236-01  
= Shelf with Lip on one edge

## Single-sided Undermount Shelving

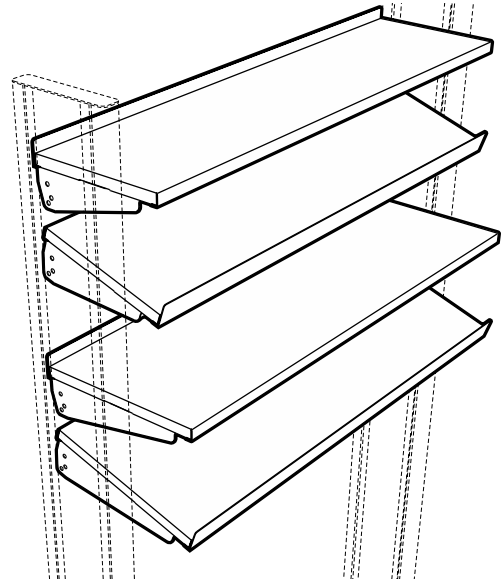
### 12" Deep

<b>FV57M031224-</b> __	24"L
<b>FV57M031230-</b> __	30"L
<b>FV57M031236-</b> __	36"L
<b>FV57M031242-</b> __	42"L
<b>FV57M031248-</b> __	48"L
<b>FV57M031254-</b> __	54"L
<b>FV57M031260-</b> __	60"L
<b>FV57M031266-</b> __	66"L
<b>FV57M031272-</b> __	72"L
<b>FV57M031278-</b> __	78"L
<b>FV57M031284-</b> __	84"L
<b>FV57M031290-</b> __	90"L
<b>FV57M031296-</b> __	96"L

### 15" Deep

<b>FV57M031524-</b> __	24"L
<b>FV57M031530-</b> __	30"L
<b>FV57M031536-</b> __	36"L
<b>FV57M031542-</b> __	42"L
<b>FV57M031548-</b> __	48"L
<b>FV57M031554-</b> __	54"L
<b>FV57M031560-</b> __	60"L
<b>FV57M031566-</b> __	66"L
<b>FV57M031572-</b> __	72"L
<b>FV57M031578-</b> __	78"L
<b>FV57M031584-</b> __	84"L
<b>FV57M031590-</b> __	90"L
<b>FV57M031596-</b> __	96"L

*FV57 Shelving Assemblies may be used on either 9" or 12" column workstations*

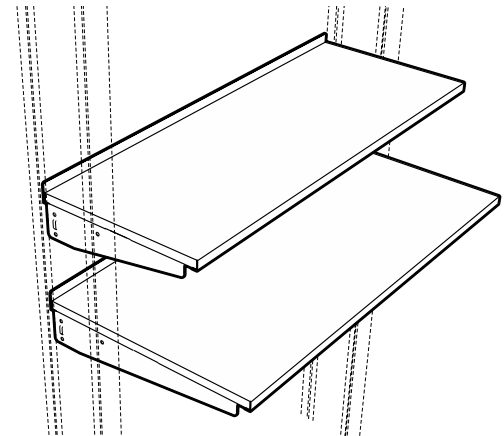


### 18" Deep

<b>FV60M031824-</b> __	24"L
<b>FV60M031830-</b> __	30"L
<b>FV60M031836-</b> __	36"L
<b>FV60M031842-</b> __	42"L
<b>FV60M031848-</b> __	48"L
<b>FV60M031854-</b> __	54"L
<b>FV60M031860-</b> __	60"L
<b>FV60M031866-</b> __	66"L
<b>FV60M031872-</b> __	72"L
<b>FV60M031878-</b> __	78"L
<b>FV60M031884-</b> __	84"L
<b>FV60M031890-</b> __	90"L
<b>FV60M031896-</b> __	96"L

### 24" Deep

<b>FV60M032424-</b> __	24"L
<b>FV60M032430-</b> __	30"L
<b>FV60M032436-</b> __	36"L
<b>FV60M032442-</b> __	42"L
<b>FV60M032448-</b> __	48"L
<b>FV60M032454-</b> __	54"L
<b>FV60M032460-</b> __	60"L
<b>FV60M032466-</b> __	66"L
<b>FV60M032472-</b> __	72"L
<b>FV60M032478-</b> __	78"L
<b>FV60M032484-</b> __	84"L
<b>FV60M032490-</b> __	90"L
<b>FV60M032496-</b> __	96"L





# Single-sided Shelving for 9" Column

**Single-sided Bookend Shelves** consist of a pair of powder coated, 5" high, 12 gauge steel shelf brackets and a 1" thick, powder coated, 14 gauge steel shelf. Shelves are infinitely height adjustable from above the worksurface to the top of the column and have limited mounting

below worksurface. Shelves mount flush with the rear of workstation columns and are available with or without retaining lips.

**Shelf Retaining Lip Options:**

- 00** = No shelf lip
- 01** = Shelf Lip on one edge
- 02** = Shelf Lip on both edges

**Example:** FV58M051536-00  
= Shelf without Retaining Lips

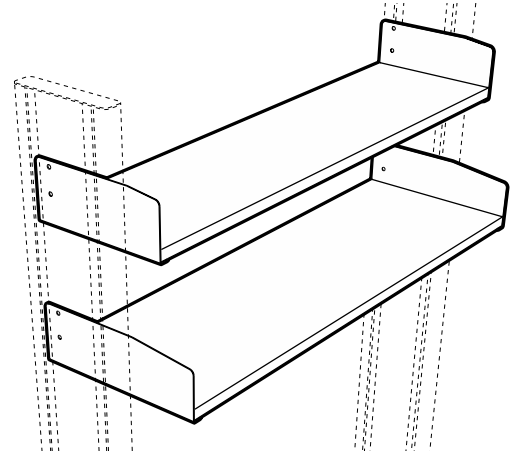
## Single-sided Bookend Shelving

### 12" Deep

FV58M051224-__	24"L
FV58M051230-__	30"L
FV58M051236-__	36"L
FV58M051242-__	42"L
FV58M051248-__	48"L
FV58M051254-__	54"L
FV58M051260-__	60"L
FV58M051266-__	66"L
FV58M051272-__	72"L
FV58M051278-__	78"L
FV58M051284-__	84"L
FV58M051290-__	90"L
FV58M051296-__	96"L

### 15" Deep

FV58M051524-__	24"L
FV58M051530-__	30"L
FV58M051536-__	36"L
FV58M051542-__	42"L
FV58M051548-__	48"L
FV58M051554-__	54"L
FV58M051560-__	60"L
FV58M051566-__	66"L
FV58M051572-__	72"L
FV58M051578-__	78"L
FV58M051584-__	84"L
FV58M051590-__	90"L
FV58M051596-__	96"L



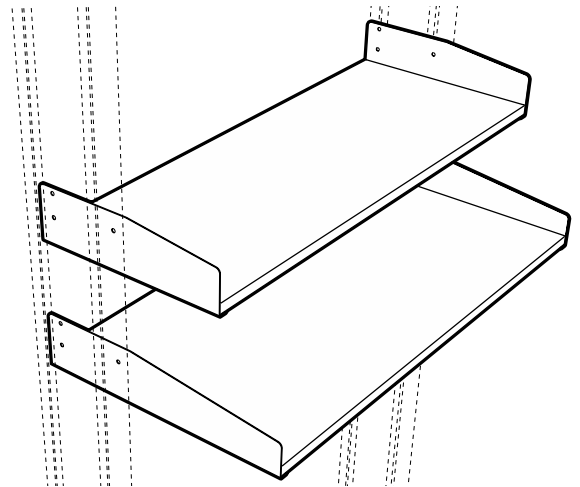
*FV58 Shelving Assemblies may be used on either 9" or 12" column workstations*

### 18" Deep

FV62M051824-__	24"L
FV62M051830-__	30"L
FV62M051836-__	36"L
FV62M051842-__	42"L
FV62M051848-__	48"L
FV62M051854-__	54"L
FV62M051860-__	60"L
FV62M051866-__	66"L
FV62M051872-__	72"L
FV62M051878-__	78"L
FV62M051884-__	84"L
FV62M051890-__	90"L
FV62M051896-__	96"L

### 24" Deep

FV62M052424-__	24"L
FV62M052430-__	30"L
FV62M052436-__	36"L
FV62M052442-__	42"L
FV62M052448-__	48"L
FV62M052454-__	54"L
FV62M052460-__	60"L
FV62M052466-__	66"L
FV62M052472-__	72"L
FV62M052478-__	78"L
FV62M052484-__	84"L
FV62M052490-__	90"L
FV62M052496-__	96"L



# Double-sided Shelving for 9" Column

**Double-sided Undermount Shelves** consist of a pair of powder coated, 12 gauge steel shelf brackets and a 1" thick, powder coated, 14 gauge steel shelf. Shelves are infinitely height adjustable from above the worksurface to the top of the column and have limited mounting below the

worksurface. The rear edge of the shelf is centered on the workstation column. Single-sided undermount shelves are available with or without retaining lips and may be used on either 9" or 12" column workstations.

**Shelf Retaining Lip Options:**

- 00** = No shelf lip
- 01** = Shelf Lip on one edge
- 02** = Shelf Lip on both edges

**Example:** FV59M031236-01  
= Shelf with Lip on one edge

## Double-sided Undermount Shelving

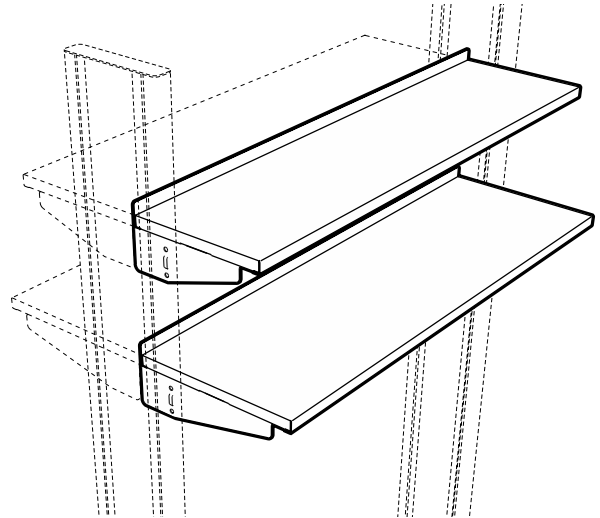
### 12" Deep

<b>FV59M031224-</b>	24"L
<b>FV59M031230-</b>	30"L
<b>FV59M031236-</b>	36"L
<b>FV59M031242-</b>	42"L
<b>FV59M031248-</b>	48"L
<b>FV59M031254-</b>	54"L
<b>FV59M031260-</b>	60"L
<b>FV59M031266-</b>	66"L
<b>FV59M031272-</b>	72"L
<b>FV59M031278-</b>	78"L
<b>FV59M031284-</b>	84"L
<b>FV59M031290-</b>	90"L
<b>FV59M031296-</b>	96"L

### 15" Deep

<b>FV59M031524-</b>	24"L
<b>FV59M031530-</b>	30"L
<b>FV59M031536-</b>	36"L
<b>FV59M031542-</b>	42"L
<b>FV59M031548-</b>	48"L
<b>FV59M031554-</b>	54"L
<b>FV59M031560-</b>	60"L
<b>FV59M031566-</b>	66"L
<b>FV59M031572-</b>	72"L
<b>FV59M031578-</b>	78"L
<b>FV59M031584-</b>	84"L
<b>FV59M031590-</b>	90"L
<b>FV59M031596-</b>	96"L

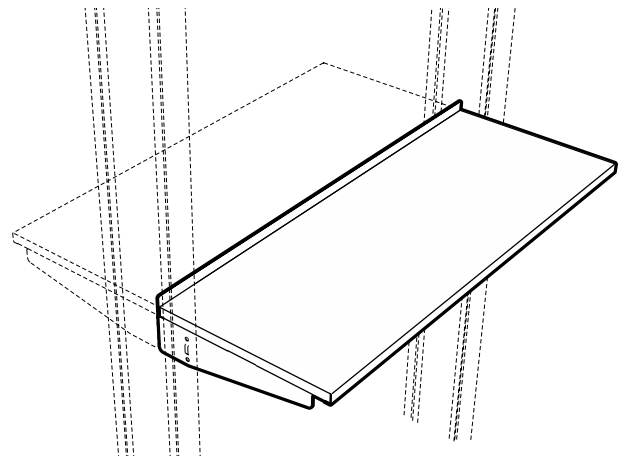
*FV59 Shelving Assemblies may be used on either 9" or 12" column workstations*



### 18" Deep

<b>FV59M031824-</b>	24"L
<b>FV59M031830-</b>	30"L
<b>FV59M031836-</b>	36"L
<b>FV59M031842-</b>	42"L
<b>FV59M031848-</b>	48"L
<b>FV59M031854-</b>	54"L
<b>FV59M031860-</b>	60"L
<b>FV59M031866-</b>	66"L
<b>FV59M031872-</b>	72"L
<b>FV59M031878-</b>	78"L
<b>FV59M031884-</b>	84"L
<b>FV59M031890-</b>	90"L
<b>FV59M031896-</b>	96"L

*FV59 Shelving Assemblies may be used on either 9" or 12" column workstations*



# Double-sided Shelving 9" Column

**Double-sided Bookend Shelves** consist of a pair of powder coated, 5" high, 12 gauge steel shelf brackets and a 1" thick, powder coated, 14 gauge steel shelf. Shelves are infinitely height adjustable from above the worksurface to the top of the column and have limited

mounting below worksurface. The rear edge of the shelf is centered on the workstation column. Double-sided bookend shelves are available with or without retaining lips.

**Shelf Retaining Lip Options:**

- 00** = No shelf lip
- 01** = Shelf Lip on one edge
- 02** = Shelf Lip on both edges

**Example:** FV64M051536-00  
= Shelf without Retaining Lips

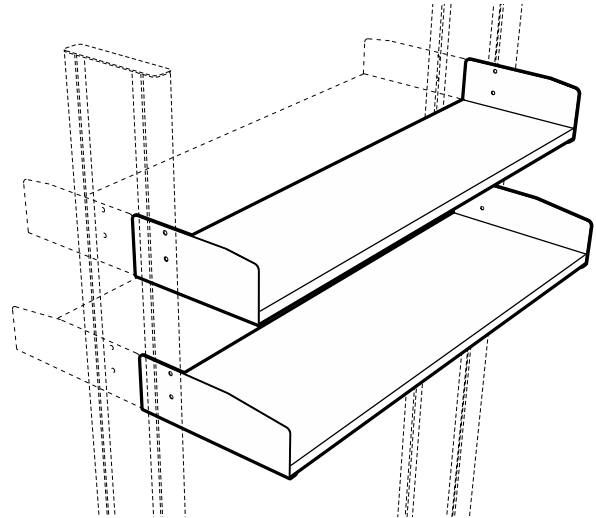
## Double-sided Bookend Shelving

### 12" Deep

FV64M051224-	24"L
FV64M051230-	30"L
FV64M051236-	36"L
FV64M051242-	42"L
FV64M051248-	48"L
FV64M051254-	54"L
FV64M051260-	60"L
FV64M051266-	66"L
FV64M051272-	72"L
FV64M051278-	78"L
FV64M051284-	84"L
FV64M051290-	90"L
FV64M051296-	96"L

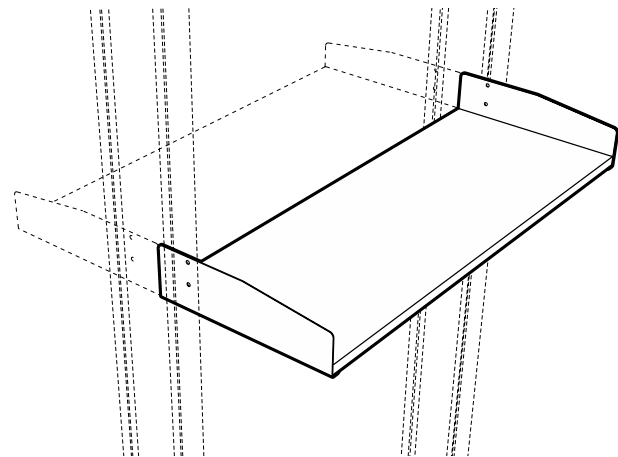
### 15" Deep

FV64M051524-	24"L
FV64M051530-	30"L
FV64M051536-	36"L
FV64M051542-	42"L
FV64M051548-	48"L
FV64M051554-	54"L
FV64M051560-	60"L
FV64M051566-	66"L
FV64M051572-	72"L
FV64M051578-	78"L
FV64M051584-	84"L
FV64M051590-	90"L
FV64M051596-	96"L



### 18" Deep

FV64M051824-	24"L
FV64M051830-	30"L
FV64M051836-	36"L
FV64M051842-	42"L
FV64M051848-	48"L
FV64M051854-	54"L
FV64M051860-	60"L
FV64M051866-	66"L
FV64M051872-	72"L
FV64M051878-	78"L
FV64M051884-	84"L
FV64M051890-	90"L
FV64M051896-	96"L



# Center Shelving for 9" Column

**Center Undermount Shelves** consist of a pair of powder coated, 12 gauge steel shelf brackets and a 1" thick, powder coated, 14 gauge steel shelf. (shelf assemblies over 24" deep are furnished with two shelves) Shelves are infinitely height adjustable from above the worksurface to the top

of the column and have limited mounting below worksurface. Shelves are centered on the workstation columns and are available with or without retaining lips.

**Shelf Retaining Lip Options:**

- 00** = No shelf lip
  - \*01** = Shelf Lip in center
  - 02** = Shelf Lip on both edges
  - \*03** = Shelf Lip on both edges and center
- \* available only on shelves over 24" deep
- Example: FV66M021836-02**  
= Shelf with Lip on both edges

**Center Undermount Shelving**

**12" Deep**

FV66M021224-	24"L
FV66M021230-	30"L
FV66M021236-	36"L
FV66M021242-	42"L
FV66M021248-	48"L
FV66M021254-	54"L
FV66M021260-	60"L
FV66M021266-	66"L
FV66M021272-	72"L
FV66M021278-	78"L
FV66M021284-	84"L
FV66M021290-	90"L
FV66M021296-	96"L

**18" Deep**

FV66M021824-	24"L
FV66M021830-	30"L
FV66M021836-	36"L
FV66M021842-	42"L
FV66M021848-	48"L
FV66M021854-	54"L
FV66M021860-	60"L
FV66M021866-	66"L
FV66M021872-	72"L
FV66M021878-	78"L
FV66M021884-	84"L
FV66M021890-	90"L
FV66M021896-	96"L

**30" Deep**

FV66M033024-	24"L
FV66M033030-	30"L
FV66M033036-	36"L
FV66M033042-	42"L
FV66M033048-	48"L
FV66M033054-	54"L
FV66M033060-	60"L
FV66M033066-	66"L
FV66M033072-	72"L
FV66M033078-	78"L
FV66M033084-	84"L
FV66M033090-	90"L
FV66M033096-	96"L

**15" Deep**

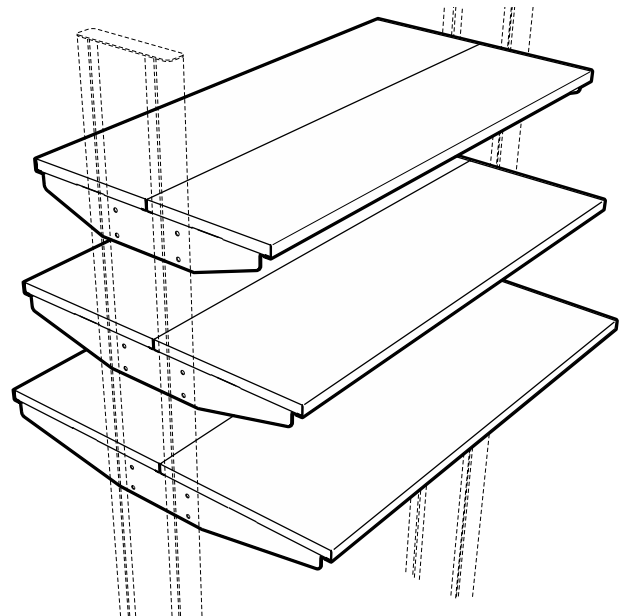
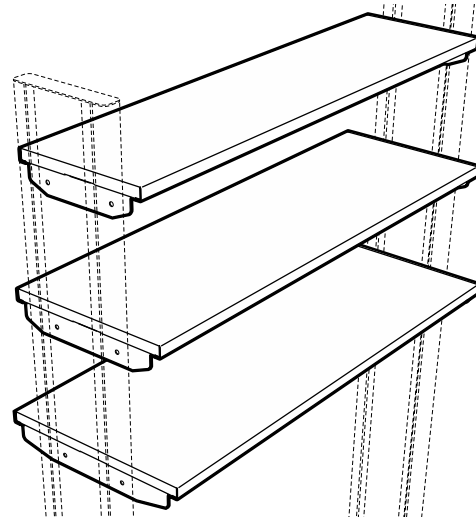
FV66M021524-	24"L
FV66M021530-	30"L
FV66M021536-	36"L
FV66M021542-	42"L
FV66M021548-	48"L
FV66M021554-	54"L
FV66M021560-	60"L
FV66M021566-	66"L
FV66M021572-	72"L
FV66M021578-	78"L
FV66M021584-	84"L
FV66M021590-	90"L
FV66M021596-	96"L

**24" Deep**

FV66M032424-	24"L
FV66M032430-	30"L
FV66M032436-	36"L
FV66M032442-	42"L
FV66M032448-	48"L
FV66M032454-	54"L
FV66M032460-	60"L
FV66M032466-	66"L
FV66M032472-	72"L
FV66M032478-	78"L
FV66M032484-	84"L
FV66M032490-	90"L
FV66M032496-	96"L

**36" Deep**

FV66M033624-	24"L
FV66M033630-	30"L
FV66M033636-	36"L
FV66M033642-	42"L
FV66M033648-	48"L
FV66M033654-	54"L
FV66M033660-	60"L
FV66M033666-	66"L
FV66M033672-	72"L
FV66M033678-	78"L
FV66M033684-	84"L
FV66M033690-	90"L
FV66M033696-	96"L



# Single-sided Shelving for 12" Column

**Single-sided Undermount Shelves** consist of a pair of powder coated, 12 gauge steel shelf brackets and a 1" thick, powder coated, 14 gauge steel shelf. Shelves are infinitely height adjustable from above the worksurface to the top of the column and have limited mounting below

worksurface. Shelves mount flush with the rear of workstation columns and are available with or without retaining lips.

**Shelf Retaining Lip Options:**

- 00** = No shelf lip
- 01** = Shelf Lip on one edge
- 02** = Shelf Lip on both edges

**Example:** FV57M031236-01  
= Shelf with Lip on one edge

## Single-sided Undermount Shelving

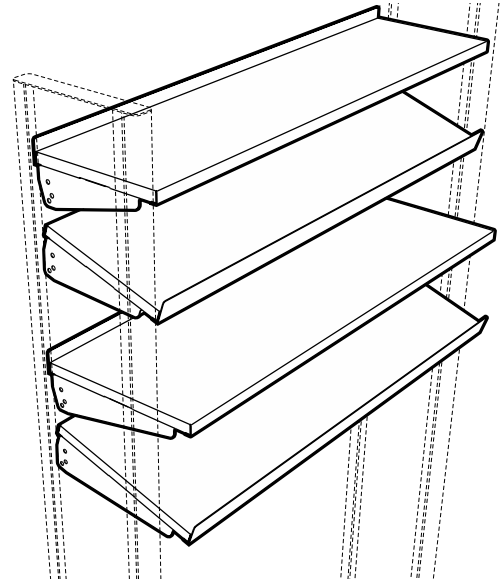
### 12" Deep

<b>FV57M031224-</b> __	24"L
<b>FV57M031230-</b> __	30"L
<b>FV57M031236-</b> __	36"L
<b>FV57M031242-</b> __	42"L
<b>FV57M031248-</b> __	48"L
<b>FV57M031254-</b> __	54"L
<b>FV57M031260-</b> __	60"L
<b>FV57M031266-</b> __	66"L
<b>FV57M031272-</b> __	72"L
<b>FV57M031278-</b> __	78"L
<b>FV57M031284-</b> __	84"L
<b>FV57M031290-</b> __	90"L
<b>FV57M031296-</b> __	96"L

### 15" Deep

<b>FV57M031524-</b> __	24"L
<b>FV57M031530-</b> __	30"L
<b>FV57M031536-</b> __	36"L
<b>FV57M031542-</b> __	42"L
<b>FV57M031548-</b> __	48"L
<b>FV57M031554-</b> __	54"L
<b>FV57M031560-</b> __	60"L
<b>FV57M031566-</b> __	66"L
<b>FV57M031572-</b> __	72"L
<b>FV57M031578-</b> __	78"L
<b>FV57M031584-</b> __	84"L
<b>FV57M031590-</b> __	90"L
<b>FV57M031596-</b> __	96"L

*FV57 Shelving Assemblies may be used on either 9" or 12" column workstations*

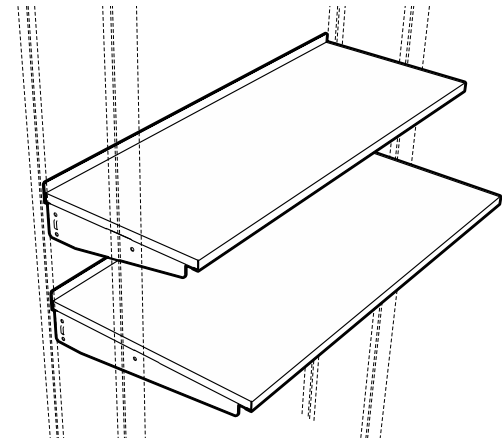


### 18" Deep

<b>FV61M031824-</b> __	24"L
<b>FV61M031830-</b> __	30"L
<b>FV61M031836-</b> __	36"L
<b>FV61M031842-</b> __	42"L
<b>FV61M031848-</b> __	48"L
<b>FV61M031854-</b> __	54"L
<b>FV61M031860-</b> __	60"L
<b>FV61M031866-</b> __	66"L
<b>FV61M031872-</b> __	72"L
<b>FV61M031878-</b> __	78"L
<b>FV61M031884-</b> __	84"L
<b>FV61M031890-</b> __	90"L
<b>FV61M031896-</b> __	96"L

### 24" Deep

<b>FV61M032424-</b> __	24"L
<b>FV61M032430-</b> __	30"L
<b>FV61M032436-</b> __	36"L
<b>FV61M032442-</b> __	42"L
<b>FV61M032448-</b> __	48"L
<b>FV61M032454-</b> __	54"L
<b>FV61M032460-</b> __	60"L
<b>FV61M032466-</b> __	66"L
<b>FV61M032472-</b> __	72"L
<b>FV61M032478-</b> __	78"L
<b>FV61M032484-</b> __	84"L
<b>FV61M032490-</b> __	90"L
<b>FV61M032496-</b> __	96"L



# Single-sided Shelving for 12" Column

**Single-sided Bookend Shelves** consist of a pair of powder coated, 5" high, 12 gauge steel shelf brackets and a 1" thick, powder coated, 14 gauge steel shelf. Shelves are infinitely height adjustable from above the worksurface to the top of the column and have limited mounting

below worksurface. Shelves mount flush with the rear of workstation columns and are available with or without retaining lips.

**Shelf Retaining Lip Options:**

- 00** = No shelf lip
- 01** = Shelf Lip on one edge
- 02** = Shelf Lip on both edges

**Example:** FV58M051536-00  
= Shelf without Retaining Lips

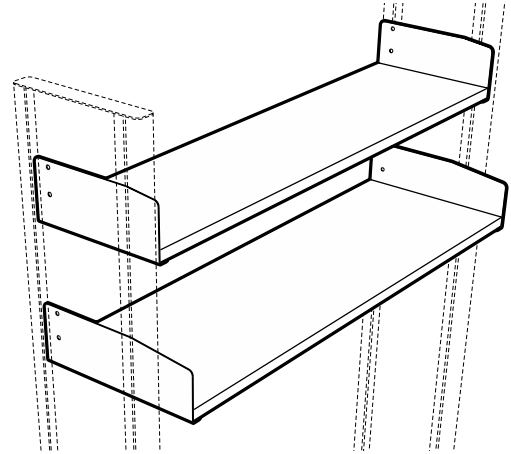
## Single-sided Bookend Shelving

### 12" Deep

<b>FV58M051224-</b> __	24"L
<b>FV58M051230-</b> __	30"L
<b>FV58M051236-</b> __	36"L
<b>FV58M051242-</b> __	42"L
<b>FV58M051248-</b> __	48"L
<b>FV58M051254-</b> __	54"L
<b>FV58M051260-</b> __	60"L
<b>FV58M051266-</b> __	66"L
<b>FV58M051272-</b> __	72"L
<b>FV58M051278-</b> __	78"L
<b>FV58M051284-</b> __	84"L
<b>FV58M051290-</b> __	90"L
<b>FV58M051296-</b> __	96"L

### 15" Deep

<b>FV58M051524-</b> __	24"L
<b>FV58M051530-</b> __	30"L
<b>FV58M051536-</b> __	36"L
<b>FV58M051542-</b> __	42"L
<b>FV58M051548-</b> __	48"L
<b>FV58M051554-</b> __	54"L
<b>FV58M051560-</b> __	60"L
<b>FV58M051566-</b> __	66"L
<b>FV58M051572-</b> __	72"L
<b>FV58M051578-</b> __	78"L
<b>FV58M051584-</b> __	84"L
<b>FV58M051590-</b> __	90"L
<b>FV58M051596-</b> __	96"L



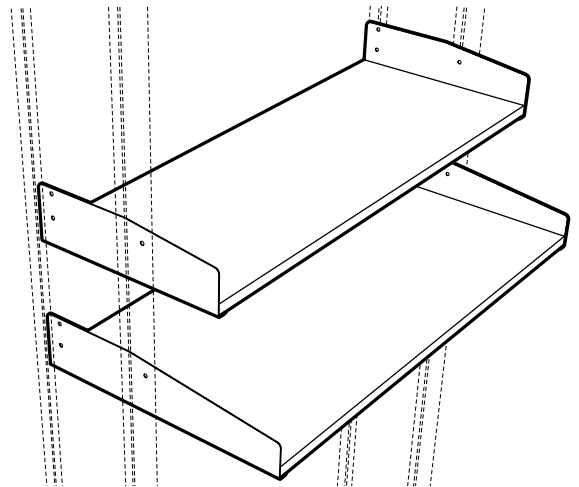
*FV58 Shelving Assemblies may be used on either 9" or 12" column workstations*

### 18" Deep

<b>FV63M051824-</b> __	24"L
<b>FV63M051830-</b> __	30"L
<b>FV63M051836-</b> __	36"L
<b>FV63M051842-</b> __	42"L
<b>FV63M051848-</b> __	48"L
<b>FV63M051854-</b> __	54"L
<b>FV63M051860-</b> __	60"L
<b>FV63M051866-</b> __	66"L
<b>FV63M051872-</b> __	72"L
<b>FV63M051878-</b> __	78"L
<b>FV63M051884-</b> __	84"L
<b>FV63M051890-</b> __	90"L
<b>FV63M051896-</b> __	96"L

### 24" Deep

<b>FV63M052424-</b> __	24"L
<b>FV63M052430-</b> __	30"L
<b>FV63M052436-</b> __	36"L
<b>FV63M052442-</b> __	42"L
<b>FV63M052448-</b> __	48"L
<b>FV63M052454-</b> __	54"L
<b>FV63M052460-</b> __	60"L
<b>FV63M052466-</b> __	66"L
<b>FV63M052472-</b> __	72"L
<b>FV63M052478-</b> __	78"L
<b>FV63M052484-</b> __	84"L
<b>FV63M052490-</b> __	90"L
<b>FV63M052496-</b> __	96"L



# Double-sided Shelving for 12" Column

**Double-sided Undermount Shelves** consist of a pair of powder coated, 12 gauge steel shelf brackets and a 1" thick, powder coated, 14 gauge steel shelf. Shelves are infinitely height adjustable from above the worksurface to the top of the column and have limited mounting below the

worksurface. The rear edge of the shelf is centered on the workstation column. Double-sided undermount shelves are available with or without retaining lips and may be used on either 9" or 12" column workstations.

**Shelf Retaining Lip Options:**

- 00** = No shelf lip
- 01** = Shelf Lip on one edge
- 02** = Shelf Lip on both edges

**Example:** FV59M031236-01  
= Shelf with Lip on one edge

## Double-sided Under-mount Shelving

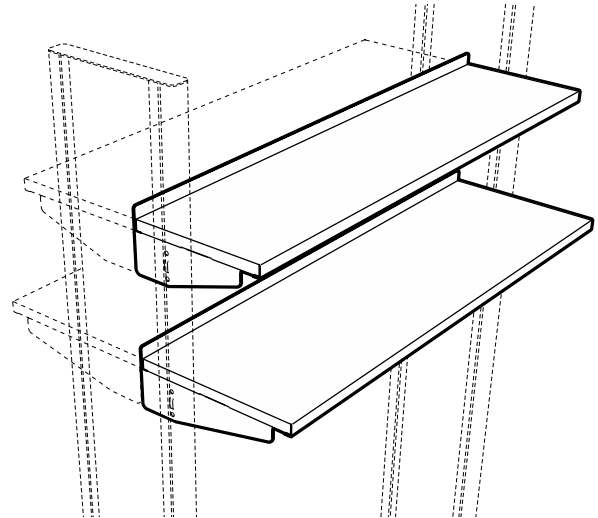
### 12" Deep

FV59M031224-	24"L
FV59M031230-	30"L
FV59M031236-	36"L
FV59M031242-	42"L
FV59M031248-	48"L
FV59M031254-	54"L
FV59M031260-	60"L
FV59M031266-	66"L
FV59M031272-	72"L
FV59M031278-	78"L
FV59M031284-	84"L
FV59M031290-	90"L
FV59M031296-	96"L

### 15" Deep

FV59M031524-	24"L
FV59M031530-	30"L
FV59M031536-	36"L
FV59M031542-	42"L
FV59M031548-	48"L
FV59M031554-	54"L
FV59M031560-	60"L
FV59M031566-	66"L
FV59M031572-	72"L
FV59M031578-	78"L
FV59M031584-	84"L
FV59M031590-	90"L
FV59M031596-	96"L

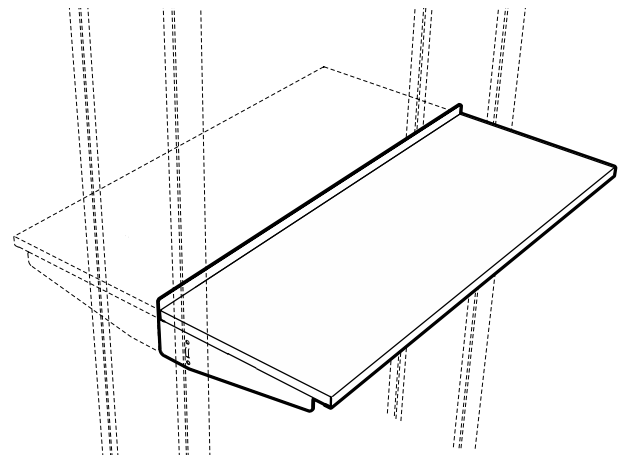
*FV59 Shelving Assemblies may be used on either 9" or 12" column workstations*



### 18" Deep

FV59M031824-	24"L
FV59M031830-	30"L
FV59M031836-	36"L
FV59M031842-	42"L
FV59M031848-	48"L
FV59M031854-	54"L
FV59M031860-	60"L
FV59M031866-	66"L
FV59M031872-	72"L
FV59M031878-	78"L
FV59M031884-	84"L
FV59M031890-	90"L
FV59M031896-	96"L

*FV59 Shelving Assemblies may be used on either 9" or 12" column workstations*



# Double-sided Shelving 12" Column

**Double-sided Bookend Shelves** consist of a pair of powder coated, 5" high, 12 gauge steel shelf brackets and a 1" thick, powder coated, 14 gauge steel shelf. Shelves are infinitely height adjustable from above the worksurface to the top of the column and have limited

mounting below worksurface. The rear edge of the shelf is centered on the workstation column. Double-sided bookend shelves are available with or without retaining lips.

**Shelf Retaining Lip Options:**

- 00** = No shelf lip
- 01** = Shelf Lip on one edge
- 02** = Shelf Lip on both edges

**Example:** FV65M051536-00  
= Shelf without Retaining Lips

## Double-sided Bookend Shelving

### 12" Deep

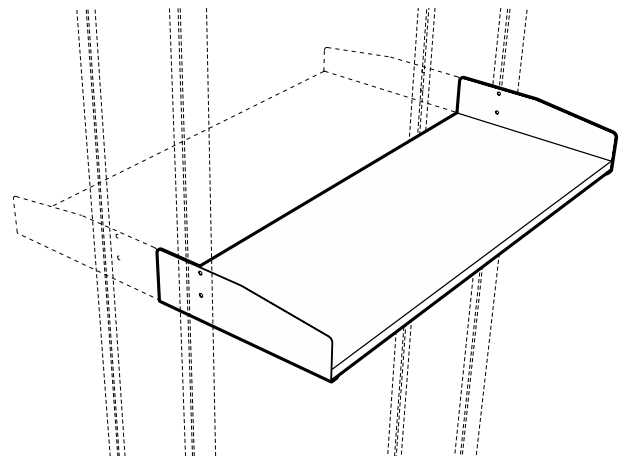
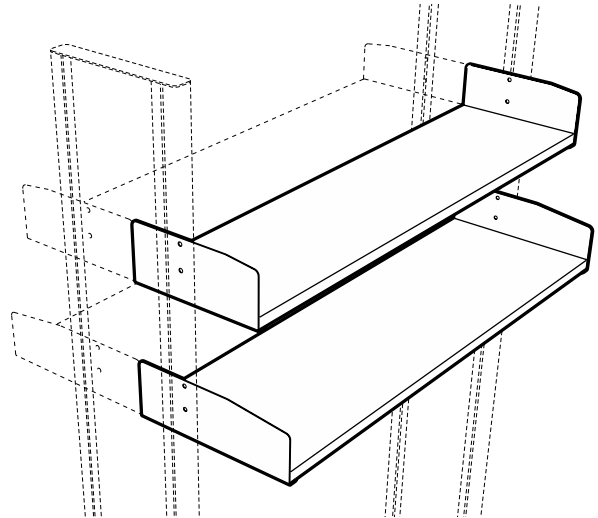
<b>FV65M051224-</b> __	24"L
<b>FV65M051230-</b> __	30"L
<b>FV65M051236-</b> __	36"L
<b>FV65M051242-</b> __	42"L
<b>FV65M051248-</b> __	48"L
<b>FV65M051254-</b> __	54"L
<b>FV65M051260-</b> __	60"L
<b>FV65M051266-</b> __	66"L
<b>FV65M051272-</b> __	72"L
<b>FV65M051278-</b> __	78"L
<b>FV65M051284-</b> __	84"L
<b>FV65M051290-</b> __	90"L
<b>FV65M051296-</b> __	96"L

### 15" Deep

<b>FV65M051524-</b> __	24"L
<b>FV65M051530-</b> __	30"L
<b>FV65M051536-</b> __	36"L
<b>FV65M051542-</b> __	42"L
<b>FV65M051548-</b> __	48"L
<b>FV65M051554-</b> __	54"L
<b>FV65M051560-</b> __	60"L
<b>FV65M051566-</b> __	66"L
<b>FV65M051572-</b> __	72"L
<b>FV65M051578-</b> __	78"L
<b>FV65M051584-</b> __	84"L
<b>FV65M051590-</b> __	90"L
<b>FV65M051596-</b> __	96"L

### 18" Deep

<b>FV65M051824-</b> __	24"L
<b>FV65M051830-</b> __	30"L
<b>FV65M051836-</b> __	36"L
<b>FV65M051842-</b> __	42"L
<b>FV65M051848-</b> __	48"L
<b>FV65M051854-</b> __	54"L
<b>FV65M051860-</b> __	60"L
<b>FV65M051866-</b> __	66"L
<b>FV65M051872-</b> __	72"L
<b>FV65M051878-</b> __	78"L
<b>FV65M051884-</b> __	84"L
<b>FV65M051890-</b> __	90"L
<b>FV65M051896-</b> __	96"L





# Center Shelving for 12" Column

**Center Undermount Shelves** consist of a pair of powder coated, 12 gauge steel shelf brackets and a 1" thick, powder coated, 14 gauge steel shelf. (shelf assemblies over 24" deep are furnished with two shelves) Shelves are infinitely height adjustable from above the worksurface to the top

of the column and have limited mounting below worksurface. Shelves are centered on the workstation columns and are available with or without retaining lips.

**Shelf Retaining Lip Options:**

- 00 = No shelf lip
  - \*01 = Shelf Lip in center
  - 02 = Shelf Lip on both edges
  - \*03 = Shelf Lip on both edges and center
- \* available only on shelves over 24" deep
- Example: FV67M021836-02**  
= Shelf with Lip on both edges

**Center Undermount Shelving**

**12" Deep**

FV67M021224-	24"L
FV67M021230-	30"L
FV67M021236-	36"L
FV67M021242-	42"L
FV67M021248-	48"L
FV67M021254-	54"L
FV67M021260-	60"L
FV67M021266-	66"L
FV67M021272-	72"L
FV67M021278-	78"L
FV67M021284-	84"L
FV67M021290-	90"L
FV67M021296-	96"L

**18" Deep**

FV67M021824-	24"L
FV67M021830-	30"L
FV67M021836-	36"L
FV67M021842-	42"L
FV67M021848-	48"L
FV67M021854-	54"L
FV67M021860-	60"L
FV67M021866-	66"L
FV67M021872-	72"L
FV67M021878-	78"L
FV67M021884-	84"L
FV67M021890-	90"L
FV67M021896-	96"L

**30" Deep**

FV67M033024-	24"L
FV67M033030-	30"L
FV67M033036-	36"L
FV67M033042-	42"L
FV67M033048-	48"L
FV67M033054-	54"L
FV67M033060-	60"L
FV67M033066-	66"L
FV67M033072-	72"L
FV67M033078-	78"L
FV67M033084-	84"L
FV67M033090-	90"L
FV67M033096-	96"L

**15" Deep**

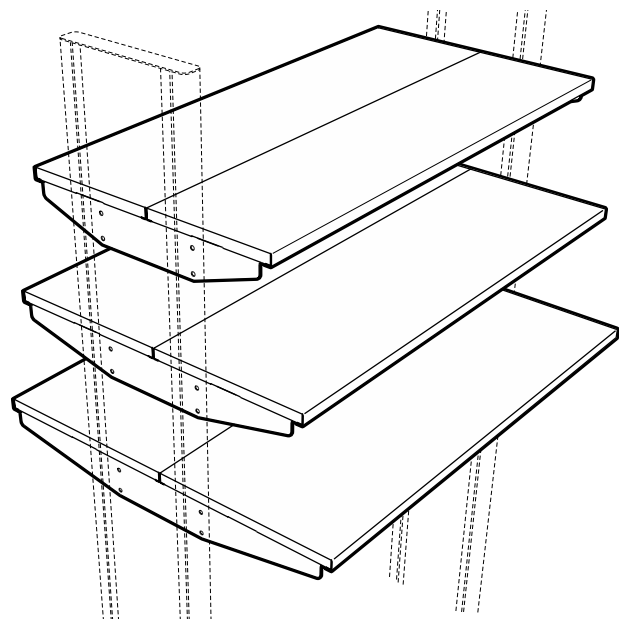
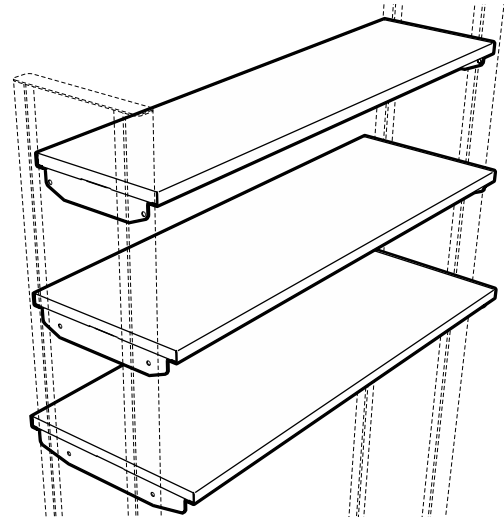
FV67M021524-	24"L
FV67M021530-	30"L
FV67M021536-	36"L
FV67M021542-	42"L
FV67M021548-	48"L
FV67M021554-	54"L
FV67M021560-	60"L
FV67M021566-	66"L
FV67M021572-	72"L
FV67M021578-	78"L
FV67M021584-	84"L
FV67M021590-	90"L
FV67M021596-	96"L

**24" Deep**

FV67M032424-	24"L
FV67M032430-	30"L
FV67M032436-	36"L
FV67M032442-	42"L
FV67M032448-	48"L
FV67M032454-	54"L
FV67M032460-	60"L
FV67M032466-	66"L
FV67M032472-	72"L
FV67M032478-	78"L
FV67M032484-	84"L
FV67M032490-	90"L
FV67M032496-	96"L

**36" Deep**

FV67M033624-	24"L
FV67M033630-	30"L
FV67M033636-	36"L
FV67M033642-	42"L
FV67M033648-	48"L
FV67M033654-	54"L
FV67M033660-	60"L
FV67M033666-	66"L
FV67M033672-	72"L
FV67M033678-	78"L
FV67M033684-	84"L
FV67M033690-	90"L
FV67M033696-	96"L



# Shelf Brackets

**Shelf Brackets** may be ordered separately for use with custom shelving materials.

**Single-sided Undermount and Bookend Shelf Brackets** are powder coated, 12 gauge steel, and are designed to allow the shelf to mount flush with the rear of workstation columns. Brackets are furnished with nuts and bolts for mounting to the workstation column but do not include shelf fasteners.

## Single-sided Undermount Shelf Brackets

### Universal – for 9" or 12" Column

<b>FV57M0312PR-00</b>	12" Deep	pair
<b>FV57M0315PR-00</b>	15" Deep	pair

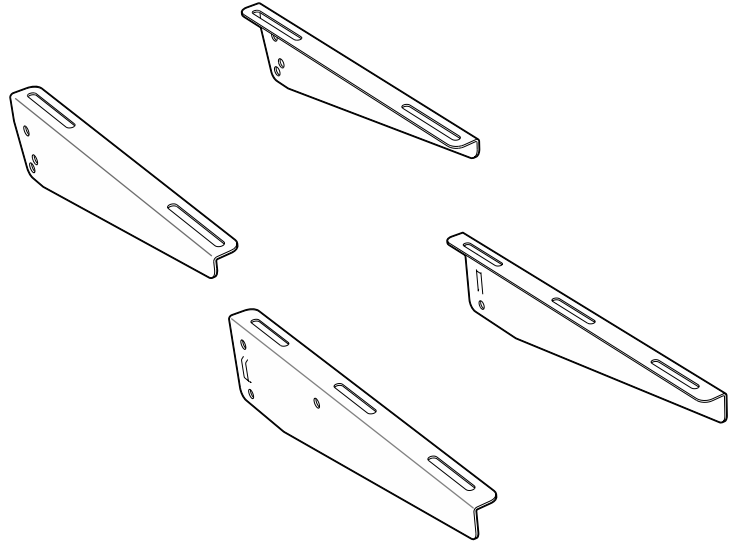
*FV57 Shelf Brackets may be used on either 9" or 12" column workstations*

### For 9" Column

<b>FV60M0318PR-00</b>	18" Deep	pair
<b>FV60M0324PR-00</b>	24" Deep	pair

### For 12" Column

<b>FV61M0318PR-00</b>	18" Deep	pair
<b>FV61M0324PR-00</b>	24" Deep	pair



## Single-sided Bookend Shelf Brackets

### Universal – for 9" or 12" Column

<b>FV58M0512PR-00</b>	12" Deep	pair
<b>FV58M0515PR-00</b>	15" Deep	pair

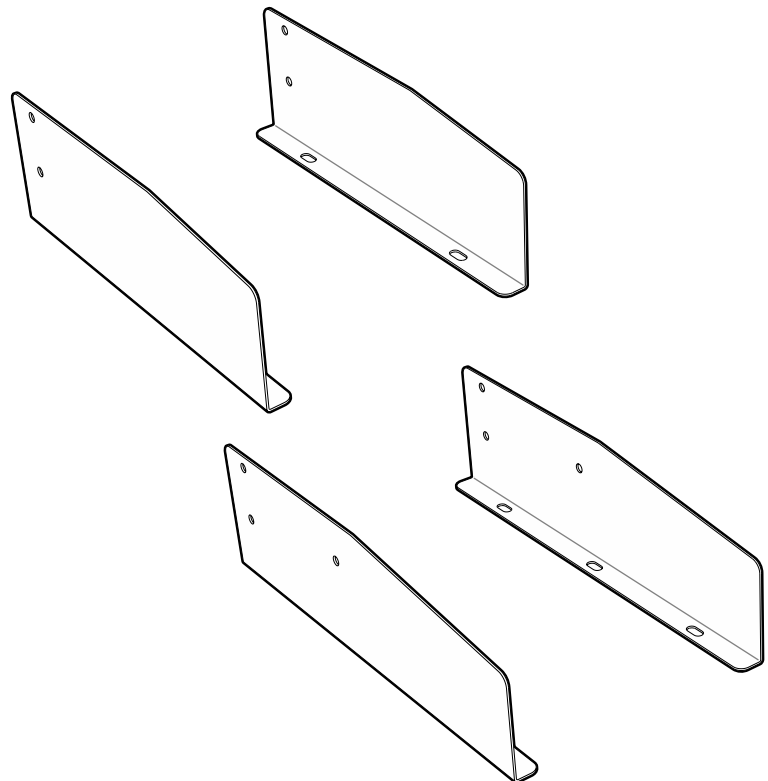
*FV58 Shelf Brackets may be used on either 9" or 12" column workstations*

### For 9" Column

<b>FV62M0518PR-00</b>	18" Deep	pair
<b>FV62M0524PR-00</b>	24" Deep	pair

### For 12" Column

<b>FV63M0518PR-00</b>	18" Deep	pair
<b>FV63M0524PR-00</b>	24" Deep	pair



## Shelf Brackets

**Shelf Brackets** may be ordered separately for use with custom shelving materials.

**Double-sided Undermount and Bookend Shelf Brackets** are powder coated, 12 gauge steel, and are designed to allow the shelf rear edge to mount to the center of the workstation columns. Brackets are furnished with nuts and bolts for mounting to the workstation column but do not include shelf fasteners.

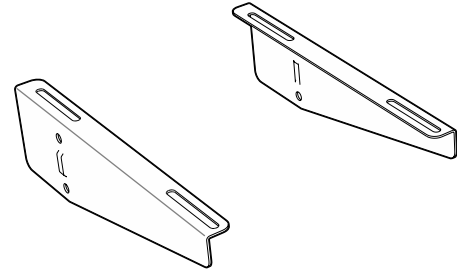
**Center Undermount Shelf Brackets** are powder coated, 12 gauge steel, and are designed to allow the shelf to mount to the center of the workstation columns. Brackets are furnished with nuts and bolts for mounting to the workstation column but do not include shelf fasteners.

### Double-sided Undermount Shelf Brackets

#### Universal – for 9" or 12" Column

<b>FV59M0312PR-00</b>	12" Deep	pair
<b>FV59M0315PR-00</b>	15" Deep	pair
<b>FV59M0318PR-00</b>	18" Deep	pair

*FV59 Shelf Brackets may be used on either 9" or 12" column workstations*



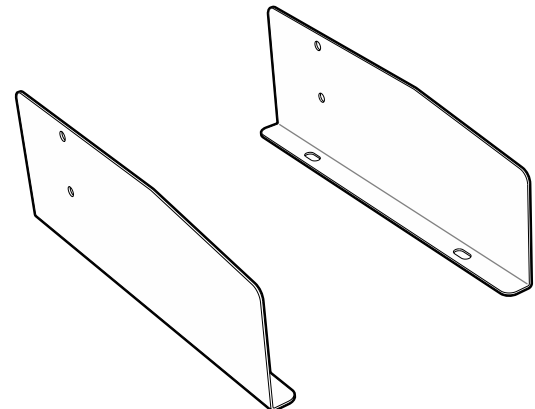
### Double-sided Bookend Shelf Brackets

#### For 9" Column

<b>FV64M0512PR-00</b>	12" Deep	pair
<b>FV64M0515PR-00</b>	15" Deep	pair
<b>FV64M0518PR-00</b>	18" Deep	pair

#### For 12" Column

<b>FV65M0512PR-00</b>	12" Deep	pair
<b>FV65M0515PR-00</b>	15" Deep	pair
<b>FV65M0518PR-00</b>	18" Deep	pair



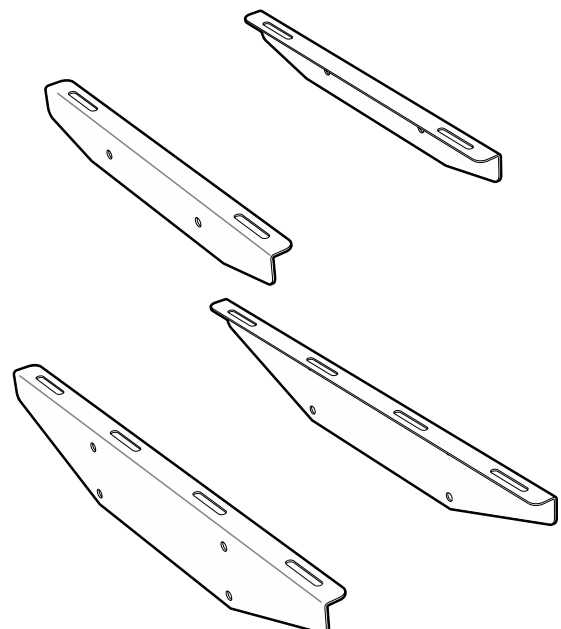
### Center Undermount Shelf Brackets

#### For 9" Column

<b>FV66M0212PR-00</b>	12" Deep	pair
<b>FV66M0215PR-00</b>	15" Deep	pair
<b>FV66M0218PR-00</b>	18" Deep	pair
<b>FV66M0324PR-00</b>	24" Deep	pair
<b>FV66M0330PR-00</b>	30" Deep	pair
<b>FV66M0336PR-00</b>	36" Deep	pair

#### For 12" Column

<b>FV67M0212PR-00</b>	12" Deep	pair
<b>FV67M0215PR-00</b>	15" Deep	pair
<b>FV67M0218PR-00</b>	18" Deep	pair
<b>FV67M0324PR-00</b>	24" Deep	pair
<b>FV67M0330PR-00</b>	30" Deep	pair
<b>FV67M0336PR-00</b>	36" Deep	pair



# Mobile Floor Shelving

**Mobile Floor Shelves** are designed for heavy duty storage at the floor level. Fabricated from powder coated, 16 gauge cold rolled steel, they are mounted on four fixed directional casters for straight tracking, and a radius front edge with recessed handle(s).

## Mobile Floor Shelving

### 21" Deep

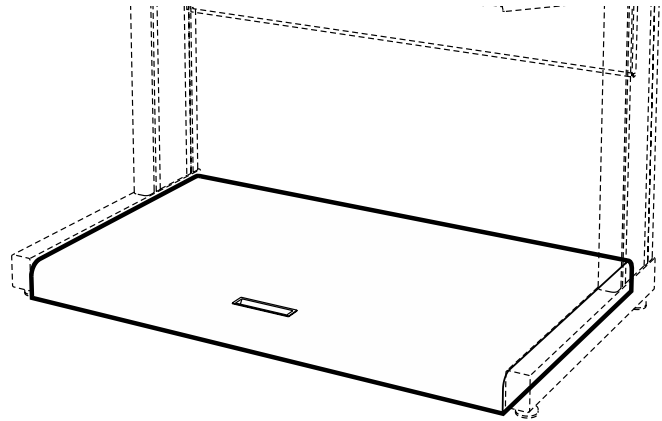
<b>FV79M042124-00</b>	24"L
<b>FV79M042130-00</b>	30"L
<b>FV79M042136-00</b>	36"L
<b>FV79M042142-00</b>	42"L
<b>FV79M042148-00</b>	48"L
<b>FV79M042154-00</b>	54"L
<b>FV79M042160-00</b>	60"L
<b>FV79M042166-00</b>	66"L
<b>FV79M042172-00</b>	72"L
<b>FV79M042178-00</b>	78"L
<b>FV79M042184-00</b>	84"L
<b>FV79M042190-00</b>	90"L
<b>FV79M042196-00</b>	96"L

### 27" Deep

<b>FV79M042724-00</b>	24"L
<b>FV79M042730-00</b>	30"L
<b>FV79M042736-00</b>	36"L
<b>FV79M042742-00</b>	42"L
<b>FV79M042748-00</b>	48"L
<b>FV79M042754-00</b>	54"L
<b>FV79M042760-00</b>	60"L
<b>FV79M042766-00</b>	66"L
<b>FV79M042772-00</b>	72"L
<b>FV79M042778-00</b>	78"L
<b>FV79M042784-00</b>	84"L
<b>FV79M042790-00</b>	90"L
<b>FV79M042796-00</b>	96"L

### 33" Deep

<b>FV79M043324-00</b>	24"L
<b>FV79M043330-00</b>	30"L
<b>FV79M043336-00</b>	36"L
<b>FV79M043342-00</b>	42"L
<b>FV79M043348-00</b>	48"L
<b>FV79M043354-00</b>	54"L
<b>FV79M043360-00</b>	60"L
<b>FV79M043366-00</b>	66"L
<b>FV79M043372-00</b>	72"L
<b>FV79M043378-00</b>	78"L
<b>FV79M043384-00</b>	84"L
<b>FV79M043390-00</b>	90"L
<b>FV79M043396-00</b>	96"L



## Lighting

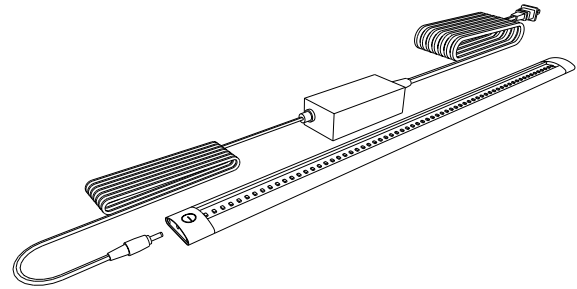
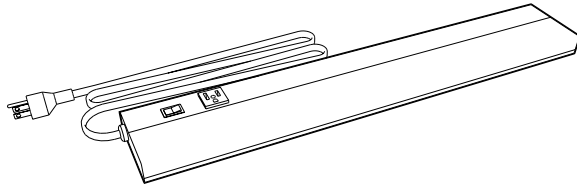
**Fluorescent Task Lighting** consists of a thin-profile, specification grade, white, painted steel housing, 1" high by 3½" deep. It is UL listed and furnished with rocker switch, single outlet, lamp, and six foot cord.

**LED Task Lighting** consists of a thin-profile, white, LED strip, 9.5mm high by 33mm deep with a touch dimmer

switch. It is UL listed and furnished with 120 VAC to 24 VDC power supply with ten foot power cord. The light includes a magnetic mounting strip for mounting to steel shelving and integral tabs for mounting to wood and plastic laminate.

### Fluorescent Task Lighting

### LED Task Lighting



Part Number	Nominal Length	Actual Length	Fits Under
<b>F-5314-00</b>	24"	21¼"	29" - 35" Shelves
<b>F-5316-00</b>	36"	34¾"	40" - 47" Shelves

Part Number	Length	Fits Under
<b>X-030002-00</b>	500mm – 19½"	29" - 40" Shelves
<b>X-030003-00</b>	1000mm – 39¾"	46" - 47" Shelves

# Lighting

**Fluorescent Overhead Lighting** mounts between the columns and includes two support arms, that allows adjustment of height, tilt, and distance from column. The powder coated steel light assembly includes: T8 fluorescent tube, On/Off switch, 24" long jumper cord, and 10 foot power cord. The light includes an easily removed diffuser for tube replacement and all required mounting hardware. Field installation of jumper or power cord is required.

**LED Overhead Lighting** mounts between the columns and includes two support arms that allows adjustment of height, tilt, and distance from column. The powder coated steel light assembly includes: LED light, On/Off switch, 24" long jumper cord, and 10 foot power cord. The light includes an easily removed diffuser and all required mounting hardware. Field installation of jumper or power cord is required.

## Overhead Lighting

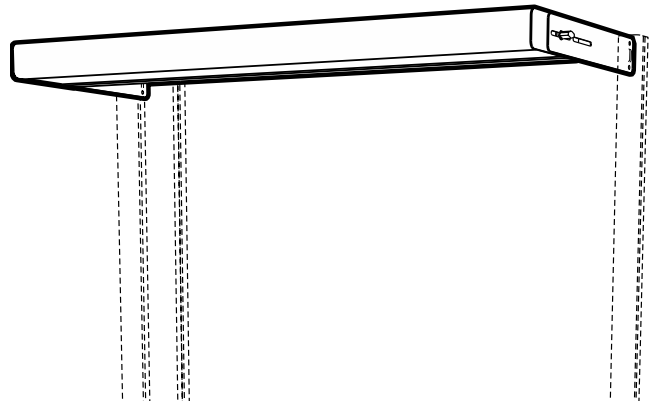
### 16<sup>1</sup>/<sub>2</sub>" Long Support Arm

#### Fluorescent Light

FV52M031624-00	24"L
FV52M031630-00	30"L
FV52M031636-00	36"L
FV52M031642-00	42"L
FV52M031648-00	48"L
FV52M031654-00	54"L
FV52M031660-00	60"L
FV52M031666-00	66"L
FV52M031672-00	72"L
FV52M031678-00	78"L
FV52M031684-00	84"L
FV52M031690-00	90"L
FV52M031696-00	96"L

#### LED Light

FV53M031624-00	24"L
FV53M031630-00	30"L
FV53M031636-00	36"L
FV53M031642-00	42"L
FV53M031648-00	48"L
FV53M031654-00	54"L
FV53M031660-00	60"L
FV53M031666-00	66"L
FV53M031672-00	72"L
FV53M031678-00	78"L
FV53M031684-00	84"L
FV53M031690-00	90"L
FV53M031696-00	96"L



### 22<sup>1</sup>/<sub>2</sub>" Long Support Arm

#### Fluorescent Light

FV52M032224-00	24"L
FV52M032230-00	30"L
FV52M032236-00	36"L
FV52M032242-00	42"L
FV52M032248-00	48"L
FV52M032254-00	54"L
FV52M032260-00	60"L
FV52M032266-00	66"L
FV52M032272-00	72"L
FV52M032278-00	78"L
FV52M032284-00	84"L
FV52M032290-00	90"L
FV52M032296-00	96"L

#### LED Light

FV53M032224-00	24"L
FV53M032230-00	30"L
FV53M032236-00	36"L
FV53M032242-00	42"L
FV53M032248-00	48"L
FV53M032254-00	54"L
FV53M032260-00	60"L
FV53M032266-00	66"L
FV53M032272-00	72"L
FV53M032278-00	78"L
FV53M032284-00	84"L
FV53M032290-00	90"L
FV53M032296-00	96"L

## Accessories

**Power Bars** are available with either 15 or 20 amp receptacles, include an On/Off switch with built in circuit breaker, and a 10 foot power cord with either a straight blade or twist-lock plug. They are column mounted and infinitely height adjustable from the worksurface to the top of the column with limited mounting ability below worksurface. Power bars are fabricated from powder coated, cold rolled steel, include all mounting hardware, and are UL Listed.

### Power Cord Plug Option:

- 1 = Straight Blade (NEMA 5-15/5-20)
- 2 = Twist-lock (NEMA L5-15/L5-20)

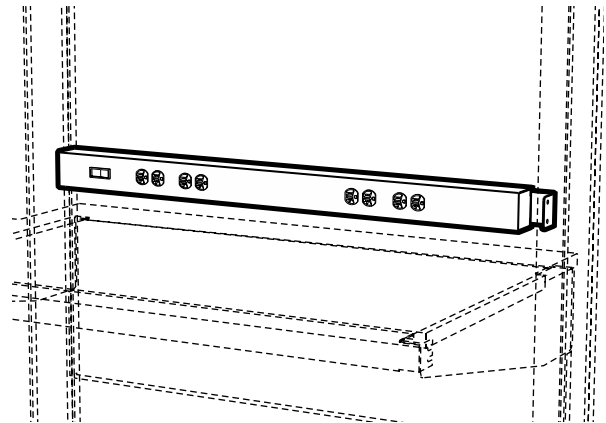
### Example: FV50M030336-12

Power Bar with 15 amp Twist-lock plug

### Power Bar

<b>15 Amp</b>		Number of Duplex Receptacles
FV50M030224-1	24"L	2
FV50M030230-1	30"L	2
FV50M030236-1	36"L	4
FV50M030242-1	42"L	4
FV50M030248-1	48"L	4
FV50M030254-1	54"L	4
FV50M030260-1	60"L	4
FV50M030266-1	66"L	4
FV50M030272-1	72"L	4
FV50M030278-1	78"L	4
FV50M030284-1	84"L	4
FV50M030290-1	90"L	4
FV50M030296-1	96"L	4

<b>20 Amp</b>		Number of Duplex Receptacles
FV50M030224-2	24"L	2
FV50M030230-2	30"L	2
FV50M030236-2	36"L	4
FV50M030242-2	42"L	4
FV50M030248-2	48"L	4
FV50M030254-2	54"L	4
FV50M030260-2	60"L	4
FV50M030266-2	66"L	4
FV50M030272-2	72"L	4
FV50M030278-2	78"L	4
FV50M030284-2	84"L	4
FV50M030290-2	90"L	4
FV50M030296-2	96"L	4



# Accessories

**Fabric Covered Tack Panels** include a powder coated steel support frame, a fabric covered panel, and mounting hardware. Tack panels are column mounted and infinitely height adjustable from above the worksurface to the top of the column. When used in conjunction with shelving, tack panel must be mounted above the shelf or below the shelf brackets.

Contact your local Kewaunee sales representative for available colors.

## Fabric Covered Tack Panels

### 12" High

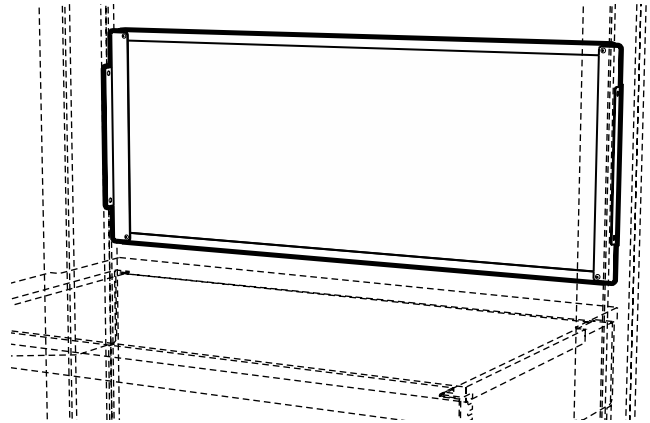
FV73M120224-00	24"L
FV73M120230-00	30"L
FV73M120236-00	36"L
FV73M120242-00	42"L
FV73M120248-00	48"L
FV73M120254-00	54"L
FV73M120260-00	60"L
FV73M120266-00	66"L
FV73M120272-00	72"L
FV73M120278-00	78"L
FV73M120284-00	84"L
FV73M120290-00	90"L
FV73M120296-00	96"L

### 18" High

FV73M180224-00	24"L
FV73M180230-00	30"L
FV73M180236-00	36"L
FV73M180242-00	42"L
FV73M180248-00	48"L
FV73M180254-00	54"L
FV73M180260-00	60"L
FV73M180266-00	66"L
FV73M180272-00	72"L
FV73M180278-00	78"L
FV73M180284-00	84"L
FV73M180290-00	90"L
FV73M180296-00	96"L

### 24" High

FV73M240224-00	24"L
FV73M240230-00	30"L
FV73M240236-00	36"L
FV73M240242-00	42"L
FV73M240248-00	48"L
FV73M240254-00	54"L
FV73M240260-00	60"L
FV73M240266-00	66"L
FV73M240272-00	72"L
FV73M240278-00	78"L
FV73M240284-00	84"L
FV73M240290-00	90"L
FV73M240296-00	96"L





## Accessories

**Bin Bars** are 12 gauge steel with a channel formation for added rigidity. Column mounted, infinitely height adjustable from above the worksurface to the top of the column, bin bar mounting brackets incorporate three depth adjustment slots. Bin Bars are available in either powder coated steel, or stainless steel. Stainless Steel Bin Bars are designed for ESD applications and include a grounding kit. Both include required mounting hardware.

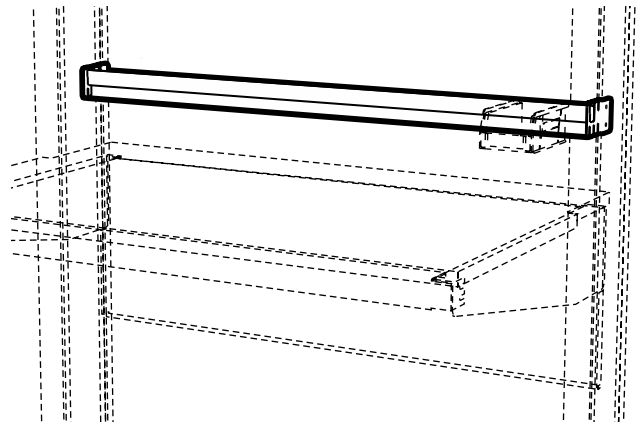
### Bin Bars

#### **Powder Coated Steel Bin Bar w/Brackets**

FV70M020224-00	24"L
FV70M020230-00	30"L
FV70M020236-00	36"L
FV70M020242-00	42"L
FV70M020248-00	48"L
FV70M020254-00	54"L
FV70M020260-00	60"L
FV70M020266-00	66"L
FV70M020272-00	72"L
FV70M020278-00	78"L
FV70M020284-00	84"L
FV70M020290-00	90"L
FV70M020296-00	96"L

#### **Stainless Steel Bin Bar w/Brackets**

FV70S020224-00	24"L
FV70S020230-00	30"L
FV70S020236-00	36"L
FV70S020242-00	42"L
FV70S020248-00	48"L
FV70S020254-00	54"L
FV70S020260-00	60"L
FV70S020266-00	66"L
FV70S020272-00	72"L
FV70S020278-00	78"L
FV70S020284-00	84"L
FV70S020290-00	90"L
FV70S020296-00	96"L



# Accessories

**Top of Column Horizontal Chases** are designed to mount flush with the top of the column and can accommodate wiring, conduit, and piping. They provide a convenient chase for stand-alone benches or a continuous chase through the columns for interconnected applications. Made of powder coated steel, they include a removable top cover and all required mounting hardware.

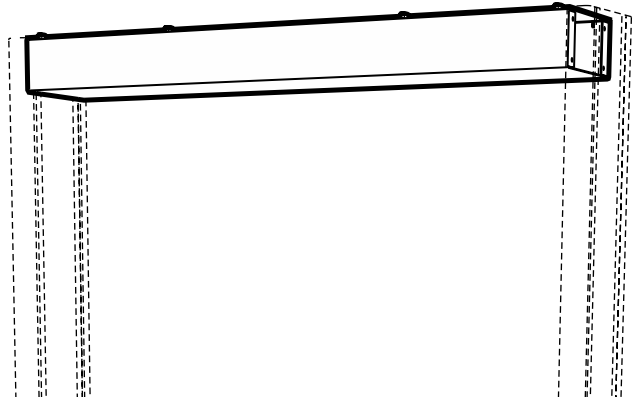
## Top of Column Horizontal Chase

### 4" High – 8" Deep

<b>FV72M040824-00</b>	24"L
<b>FV72M040830-00</b>	30"L
<b>FV72M040836-00</b>	36"L
<b>FV72M040842-00</b>	42"L
<b>FV72M040848-00</b>	48"L
<b>FV72M040854-00</b>	54"L
<b>FV72M040860-00</b>	60"L
<b>FV72M040866-00</b>	66"L
<b>FV72M040872-00</b>	72"L
<b>FV72M040878-00</b>	78"L
<b>FV72M040884-00</b>	84"L
<b>FV72M040890-00</b>	90"L
<b>FV72M040896-00</b>	96"L

### 4" High – 11" Deep

<b>FV72M041124-00</b>	24"L
<b>FV72M041130-00</b>	30"L
<b>FV72M041136-00</b>	36"L
<b>FV72M041142-00</b>	42"L
<b>FV72M041148-00</b>	48"L
<b>FV72M041154-00</b>	54"L
<b>FV72M041160-00</b>	60"L
<b>FV72M041166-00</b>	66"L
<b>FV72M041172-00</b>	72"L
<b>FV72M041178-00</b>	78"L
<b>FV72M041184-00</b>	84"L
<b>FV72M041190-00</b>	90"L
<b>FV72M041196-00</b>	96"L



## Service Fittings & Fixtures

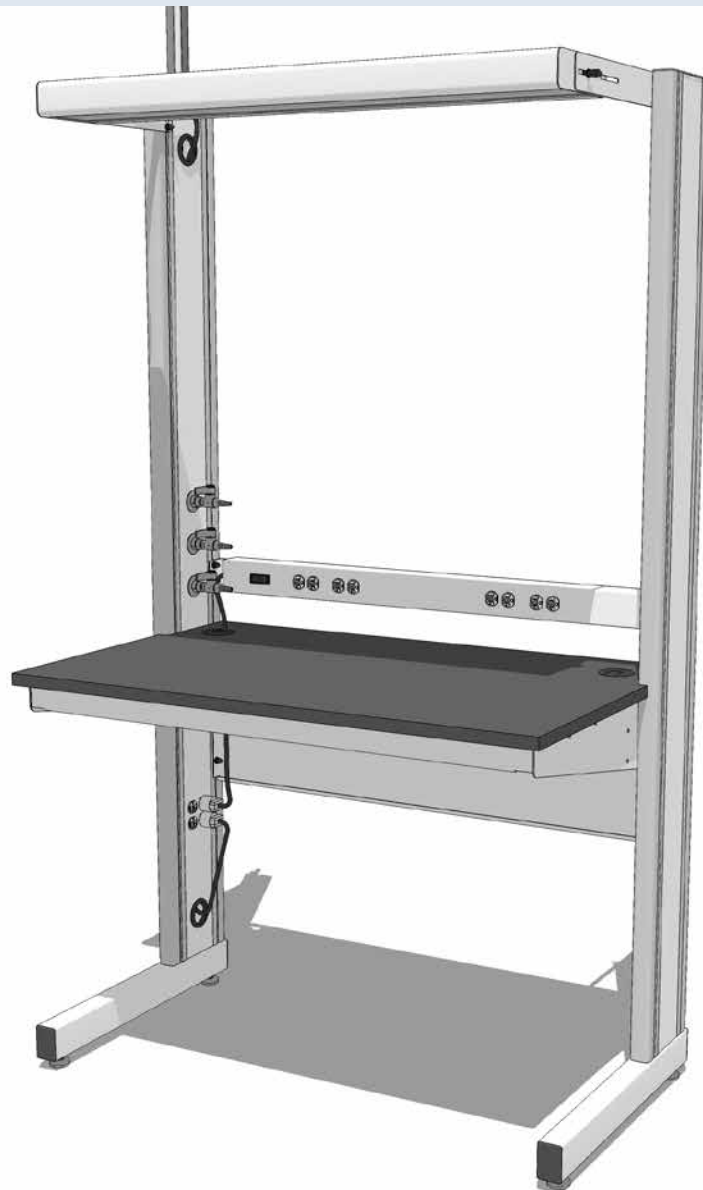
### Features:

#### Service Fittings

- May be mounted on columns with powder coated steel accent strips only
- Vertical columns accept up to three fittings
- Fittings pre-plumbed to hoses for connection to overhead service panels and chases
- Keyed quick-connect fittings to ease service connection and disconnection during bench relocation

#### Electrical and Data Fixtures

- May be mounted on columns with powder coated steel accent strips only
- May be pre-wired to top or bottom of column
- All cataloged components UL listed
- Columns are certified to UL standard 61010-1 when pre-wired with cataloged fixtures



# Service Fittings

**Internal Service Hoses** are required to mount services on the workstation columns. They are factory installed when ordered with the service fitting and are available in either reinforced PVC or braided stainless steel. The 3/8" hoses are furnished with a 3/8" IPS female outlet and either a 3/8" IPS female inlet or 3/8" IPS male quick-connect inlet.

Hoses are available in multiple lengths from 3 feet to 8 feet above the top of an 84" column and in 9 colors to match quick-connect color codes.

Specify hose color by placing color code at end of hose part number.

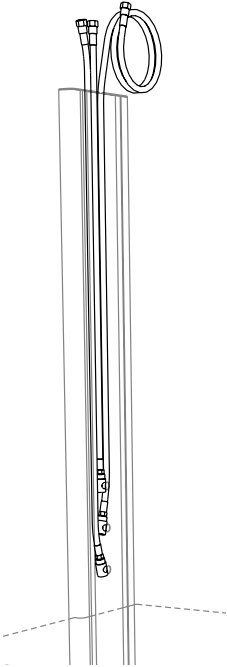
**Example:** W-6132E36-02 for Orange hose with female inlet

Specify hose color and quick-connect key by placing color code and key number at end of hose part number.

**Example:** W-6135E36-01-K4 for Black hose with Yellow Vacuum quick-connect

**Service fittings require columns with steel accent strips.**

## Internal Service Hoses



### Reinforced PVC Hose

for Non-burning Gases

3/8" IPS Female Inlet – 3/8" IPS Female Outlet

Part Number	Length (Above Top Of Column)
W-6132E36-0	36" ATOC
W-6132E48-0	48" ATOC
W-6132E60-0	60" ATOC
W-6132E72-0	72" ATOC
W-6132E96-0	96" ATOC

### Reinforced PVC Hose with Quick-connect Fitting

for Non-burning Gases

3/8" IPS Male Quick-connect Inlet (not illustrated)

3/8" IPS Female Outlet

Part Number	Length (Above Top Of Column)
W-6135E36-0 -K	36" ATOC
W-6135E48-0 -K	48" ATOC
W-6135E60-0 -K	60" ATOC
W-6135E72-0 -K	72" ATOC
W-6135E96-0 -K	96" ATOC

### Braided Stainless Steel Hose

for Natural & Reactive Gases

3/8" IPS Female Inlet – 3/8" IPS Female Outlet

Part Number	Length (Above Top Of Column)
W-6232E36-00	36" ATOC
W-6232E48-00	48" ATOC
W-6232E60-00	60" ATOC
W-6232E72-00	72" ATOC
W-6232E96-00	96" ATOC

### Braided Stainless Steel Hose with Quick-connect Fitting

for Natural & Reactive Gases

3/8" IPS Male Quick-connect Inlet (not illustrated)

3/8" IPS Female Outlet

Part Number	Length (Above Top Of Column)
W-6235E36-K	36" ATOC
W-6235E48-K	48" ATOC
W-6235E60-K	60" ATOC
W-6235E72-K	72" ATOC
W-6235E96-K	96" ATOC

## Keyed Quick-connect Fittings



### Male Quick-connect

3/8" IPS Male

Part Number	Key Color
W-8111-K1	Black
W-8111-K2	Orange
W-8111-K3	Green
W-8111-K4	Yellow
W-8111-K5	Blue
W-8111-K6	White
W-8111-K7	Purple
W-8111-K8	Brown

### Keyed Quick-connect Fittings

Key Number and Color Code	Standard Service	Female Body Sleeve Dia.		Male Body Sleeve Dia.	
		in.	mm	in.	mm
K1 Black	Helium	1.13	28.7	0.99	25.1
K2 Orange	Air	1.16	29.5	1.02	25.8
K3 Green	Water	1.19	30.2	1.05	26.6
K4 Yellow	Vacuum	1.22	31.0	1.08	27.4
K5 Blue	Gas	1.24	31.5	1.11	28.1
K6 White	—	1.28	32.5	1.14	28.9
K7 Purple	Argon	1.31	33.3	1.17	29.7
K8 Brown	Nitrogen	1.34	34.0	1.20	30.4

### Hose Colors

Color Code	Color
01	Black
02	Orange
03	Green
04	Yellow
05	Blue
06	White
07	Purple
08	Brown
09	Clear

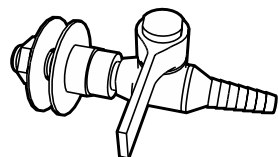
## Service Fittings

**Ball Valves** are chrome plated brass and provide on/off control of gas, air, or vacuum at pressures up to 75 PSI.

**Needle Point Cocks** are chrome plated brass with a brass floating cone and integral brass seat. They provide metering control of laboratory gases at pressures up to 60 PSI.

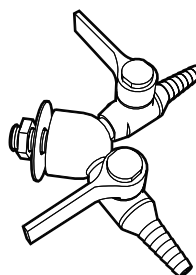
**Service fittings require columns with steel accent strips.**

### Service Fittings



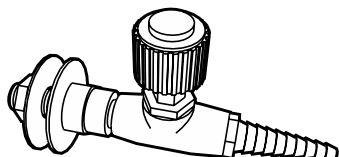
**Ball Valve**  
3/8" IPS Male Inlet

Part Number	Service
<b>W-0605-0A</b>	Air
<b>W-0605-0G</b>	Gas
<b>W-0605-0N</b>	Nitrogen
<b>W-0605-0R</b>	Argon
<b>W-0605-0V</b>	Vacuum
<b>W-0605-00</b>	Specify



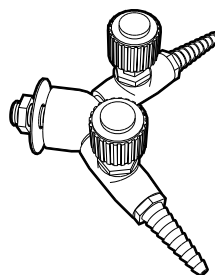
**Double Ball Valve**  
3/8" IPS Female Inlet

Part Number	Service
<b>W-0602-0A</b>	Air
<b>W-0602-0G</b>	Gas
<b>W-0602-0N</b>	Nitrogen
<b>W-0602-0R</b>	Argon
<b>W-0602-0V</b>	Vacuum
<b>W-0602-00</b>	Specify



**Needle Point Cock**  
3/8" IPS Male Inlet

Part Number	Service
<b>W-0606-0A</b>	Air
<b>W-0606-0G</b>	Gas
<b>W-0606-0N</b>	Nitrogen
<b>W-0606-0R</b>	Argon
<b>W-0606-0V</b>	Vacuum
<b>W-0606-00</b>	Specify



**Double Needle Point Cock**  
3/8" IPS Female Inlet

Part Number	Service
<b>W-0603-0A</b>	Air
<b>W-0603-0G</b>	Gas
<b>W-0603-0N</b>	Nitrogen
<b>W-0603-0R</b>	Argon
<b>W-0603-0V</b>	Vacuum
<b>W-0603-00</b>	Specify

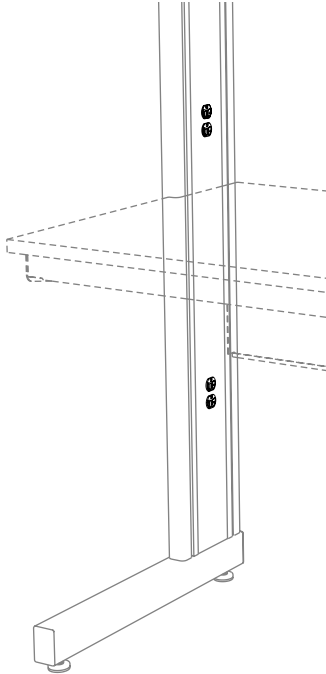
# Electric/Data Fixtures & Accessories

**Electrical Fixtures** may be mounted in the workstation columns as either a single device, or double device configuration. Part numbers shown include the device, the required cutout and hardware, and installation. Electrical devices include pre-wiring when a power cord is specified. Location of devices must be specified.

**RJ45—8P8C Data/Com Outlets** are available in either Cat-6 or Cat-6a configurations. Part numbers shown include the device, the required cutout and hardware, and installation. They do not include wiring.

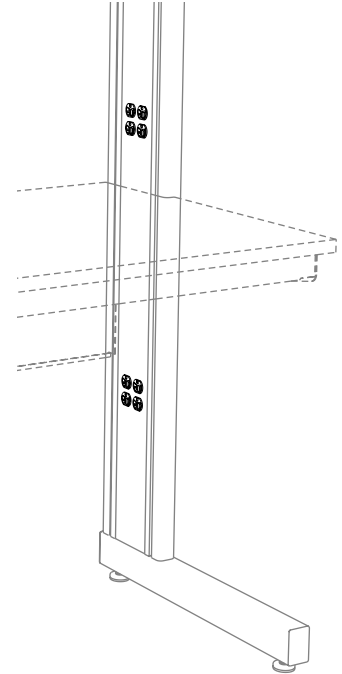
**Electric/Data Fixtures require columns with steel accent strips.**


## Electrical/Data Fixtures



### RJ45 8P8C Data/Com Outlet


Part Number	Color	Category
<b>FV-D620-1K-6</b>	Black	Cat-6
<b>FV-D620-1V-6</b>	Ivory	Cat-6
<b>FV-D620-1W-6</b>	White	Cat-6
<b>FV-D620-1K-6a</b>	Black	Cat-6a
<b>FV-D620-1V-6a</b>	Ivory	Cat-6a
<b>FV-D620-1W-6a</b>	White	Cat-6a



 120 VAC, 20 amp specification grade, 3-wire polarized grounding duplex receptacle


### Single Duplex

Part Number	Device
<b>FV-S581-1K</b>	Black
<b>FV-S581-1V</b>	Ivory
<b>FV-S581-1W</b>	White
<b>FV-S581-1G</b>	Grey
<b>FV-S581-1R</b>	Red

 120 VAC, 20 amp specification grade, 3-wire polarized grounding duplex receptacle


### Single Duplex

Part Number	Device
<b>FV-S681-1K</b>	Black
<b>FV-S681-1V</b>	Ivory
<b>FV-S681-1W</b>	White
<b>FV-S681-1G</b>	Grey
<b>FV-S681-1R</b>	Red

 120 VAC, 20 amp hospital grade, 3-wire polarized grounding duplex receptacle

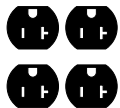
### Hospital Grade Single Duplex

Part Number	Device
<b>FV-H581-1K</b>	Black
<b>FV-H581-1V</b>	Ivory
<b>FV-H581-1W</b>	White
<b>FV-H581-1G</b>	Grey
<b>FV-H581-1R</b>	Red

 120 VAC, 20 amp, GFCI, specification grade duplex receptacle

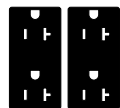
### GFCI Single Duplex

Part Number	Device
<b>FV-S656-1K</b>	Black
<b>FV-S656-1V</b>	Ivory
<b>FV-S656-1W</b>	White
<b>FV-S656-1G</b>	Grey
<b>FV-S656-1R</b>	Red



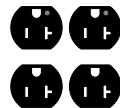
### Double Duplex

Part Number	Color
<b>FV-S581-6K</b>	Black
<b>FV-S581-6V</b>	Ivory
<b>FV-S581-6W</b>	White
<b>FV-S581-6G</b>	Grey
<b>FV-S581-6R</b>	Red



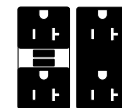
### Double Duplex

Part Number	Color
<b>FV-S681-6K</b>	Black
<b>FV-S681-6V</b>	Ivory
<b>FV-S681-6W</b>	White
<b>FV-S681-6G</b>	Grey
<b>FV-S681-6R</b>	Red



### Hospital Grade Double Duplex

Part Number	Color
<b>FV-H581-6K</b>	Black
<b>FV-H581-6V</b>	Ivory
<b>FV-H581-6W</b>	White
<b>FV-H581-6G</b>	Grey
<b>FV-H581-6R</b>	Red



### GFCI Double Duplex

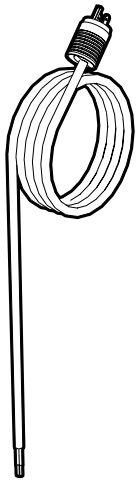
Part Number	Color
<b>FV-S658-6K</b>	Black
<b>FV-S658-6V</b>	Ivory
<b>FV-S658-6W</b>	White
<b>FV-S658-6G</b>	Grey
<b>FV-S658-6R</b>	Red

# Electric/Data Fixtures & Accessories

**Power Cords** are required to carry power from the electrical devices to wall outlets or overhead service panels. The SJ 12/3 and SJ 12/4 cords are available in multiple lengths measured from the top of 84" high columns. Standard exit point is the top of the column, but they may be routed to the bottom when specified.

**Cord Access Ports** are designed to route power and data cords from the interior of the column through the column accent strip, but may be used as pass-thru ports when workstations are set in a continuous run. Ports are a 2 1/2" diameter hole fitted with a rubber grommet creating a 2 1/8" diameter access. Location of ports must be specified.

## Power Cords



### Single-circuit 3-wire

120 VAC — 20A — NEMA 5-20

Part Number	Length	Plug Type
<b>W-5621-36</b>	36" ATOC	Straight Blade
<b>W-5621-48</b>	48" ATOC	Straight Blade
<b>W-5621-60</b>	60" ATOC	Straight Blade
<b>W-5621-72</b>	72" ATOC	Straight Blade
<b>W-5621-96</b>	96" ATOC	Straight Blade

120 VAC — 20A — NEMA L5-20

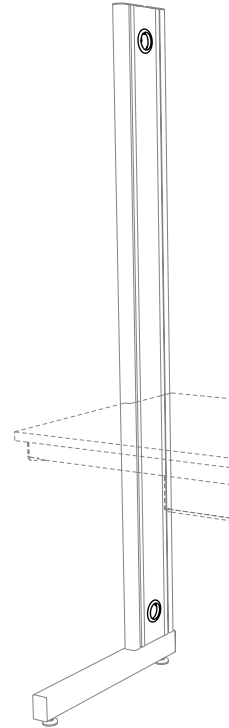
Part Number	Length	Plug Type
<b>W-5622-36</b>	36" ATOC	Twist-Lock
<b>W-5622-48</b>	48" ATOC	Twist-Lock
<b>W-5622-60</b>	60" ATOC	Twist-Lock
<b>W-5622-72</b>	72" ATOC	Twist-Lock
<b>W-5622-96</b>	96" ATOC	Twist-Lock

### Dual-circuit 4-wire

120 VAC — 20A — NEMA L14-20

Part Number	Length	Plug Type
<b>W-5624-36</b>	36" ATOC	Twist-Lock
<b>W-5624-48</b>	48" ATOC	Twist-Lock
<b>W-5624-60</b>	60" ATOC	Twist-Lock
<b>W-5624-72</b>	72" ATOC	Twist-Lock
<b>W-5624-96</b>	96" ATOC	Twist-Lock

## Cord Access Ports



Part Number \_\_\_\_\_

**F-8421-00**

# Steel & Wood Cabinets

## Features:

### Steel Base Cabinets

- Electrostatically applied, chemical resistant, powder coat finish available in colors to compliment any laboratory environment
- Heavy gauge formed and welded steel cabinet body construction provides strength and durability
- One piece drawer body, radiused all four sides
- Furnished standard with full-extension, soft-close drawer slides
- One-piece case bottom and horizontal front rail
- Furnished standard with finished back
- Exclusive positive door catch option
- Five-knuckle, semi-concealed, and concealed hinges available

### Wood Base Cabinets

- Multiple coat, chemical resistant finish system formulated to highlight the natural grain patterns
- Dovetailed drawer construction with nine-ply hardwood plywood drawer sides
- 3/4" seven-ply hardwood plywood end panels, bottom and shelf, with solid hardwood facing
- Full extension, ball bearing, 100 lb. load rated, drawer slides, standard on all drawers and pullboards.
- 3/4" seven-ply hardwood plywood finished back dadoed into end panels and bottom
- Institutional type five-knuckle offset door hinges rated for 150 pound loads

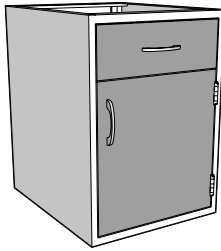




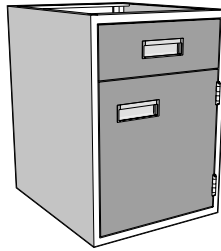
# Cabinet Door & Drawer Styles

## Steel Inset — Square Edge

- Doors and drawer heads are flush with face of cabinet
- Square Edge
- Multiple Pull and Hinge Options



with Type 1 Pull



with Type 9 Pull

## Wood Style-1

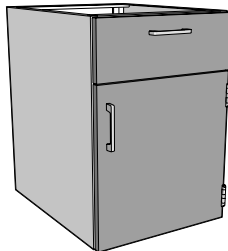


- Radius Lip, Semi-Overlay Construction
- Multiple Pull Options

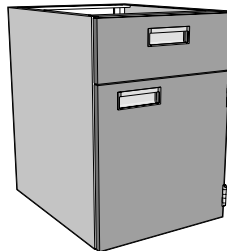
## Conventional

## Steel Overlay — Square Edge

- Square Edge Full Overlay Construction
- Multiple Pull and Hinge Options



with Type 8 Pull



with Type 9 Pull

## Wood Style-3



- Radius Edge, Semi-Overlay Construction
- Integral Machined Pull

## Silhouette

## Wood Style-5

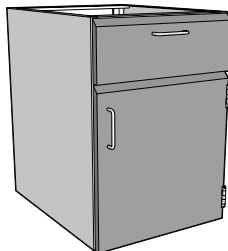


- Square Edge, Full Overlay Construction
- Multiple Pull Options

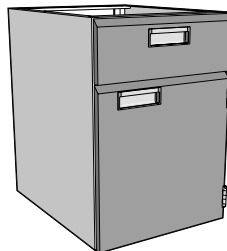
## Contemporary

## Steel Overlay — Bevel Edge

- Beveled Edge Full Overlay Construction
- Multiple Pull and Hinge Options



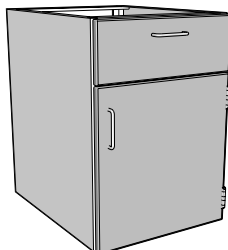
with Type 4 Pull



with Type 9 Pull

## Steel Overlay — Wood on Steel

- Oak or Maple Door and Drawer Front
- Multiple Pull and Hinge Options



# Steel and Wood Cabinet Part Numbers

## Base Cabinet Catalog Number Explanation

**M 25 C 33 22 18 - 1 0 1 1**

<p><b>Cabinet Type</b></p> <p>B = Open Cupboard Cabinet C = All Cupboard Cabinet D = All Drawer Cabinet E = Drawer &amp; Cupboard Cabinet G = Special Purpose Cabinet M = Mobile Cabinet</p> <p><b>Drawer and Door Configuration</b></p> <p>W = Wood C = Steel</p>	<p><b>Style-Hardware Material Selection</b></p> <p>See Below</p> <p><b>Special Configurations</b></p> <p>L = Left Hand Swing</p> <p><b>Cabinet Length</b> (Nominal in Inches)</p> <p><b>Cabinet Depth</b> (Nominal in Inches)</p> <p><b>Cabinet Height</b></p> <p>19 = 19<sup>3</sup>/<sub>8</sub>"    20 = 19<sup>5</sup>/<sub>8</sub>"    25 = 25<sup>1</sup>/<sub>8</sub>"    26 = 25<sup>15</sup>/<sub>16</sub>" 26 = 26<sup>1</sup>/<sub>4</sub>"    27 = 26<sup>3</sup>/<sub>4</sub>"    33 = 33"</p>
--------------------------------------------------------------------------------------------------------------------------------------------------------------------------------------------------------------------------------------------------------------------------------------------	-------------------------------------------------------------------------------------------------------------------------------------------------------------------------------------------------------------------------------------------------------------------------------------------------------------------------------------------------------------------------------------------------------------------------------------------------------------------------------------------------------------------------

## Steel Furniture Style - Hardware - Material Selections

**M 25 C 33 22 18 - 0 1 0 1**

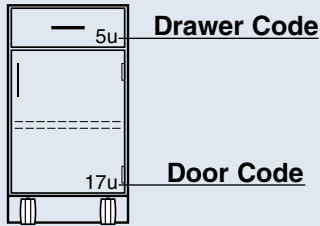
<p><b>Cabinet Style - Hinge Type - Catch</b></p> <p>0 = Inset - 5-knuckle Hinge - Positive Catch 1 = Full Overlay - 5-knuckle Hinge - Positive Catch 4 = Full Overlay - Semi-concealed Hinge 6 = Full Overlay - Concealed Hinge (170° Swing)</p> <p><b>Door and Drawer Style</b></p> <p>1 = Square Edge Steel 6 = Wood - Available for Full Overlay Cabinet Styles only 7 = Beveled Edge Steel - Available for Full Overlay Cabinet Styles only</p> <p><b>Cabinet Material / D&amp;D Material</b></p> <p>0 = Cold Rolled Steel / Cold Rolled Steel 1 = Cold Rolled Steel / Plain Sliced Red Oak 2 = Cold Rolled Steel / Plain Sliced White Maple *3 = Stainless Steel / Stainless Steel * Stainless Steel available in D&amp;D Style 1 only</p>	<p><b>Pull Type</b></p> <p>0 = No Option 1 = Rounded Aluminum 2 = Black Wire 3 = White Wire 4 = Stainless Steel Wire 6 = Chrome Plated Wire ‡7 = Beveled Label Holder 8 = Square Aluminum †9 = Flush Aluminum ‡ Mounts horizontally † Not available on wood doors &amp; drawer heads</p>
-------------------------------------------------------------------------------------------------------------------------------------------------------------------------------------------------------------------------------------------------------------------------------------------------------------------------------------------------------------------------------------------------------------------------------------------------------------------------------------------------------------------------------------------------------------------------------------------------------------------------------------------------------------------------------------------------------------------------------------------------------------------------------------	----------------------------------------------------------------------------------------------------------------------------------------------------------------------------------------------------------------------------------------------------------------------------------------------------------------------------------

## Wood Furniture Style - Hardware - Material Selections

**M 25 W 33 22 18 - 1 0 1 1**

<p><b>Door and Drawer Head Style</b></p> <p>0 = No Option 1 = Conventional Radius Lip 3 = Silhouette 5 = Contemporary Full Overlay</p> <p><b>Hinge Type</b></p> <p>0 = Stainless Steel - Five Knuckle 2 = Black Powder Coated - Five Knuckle 3 = White Powder Coated - Five Knuckle</p> <p><b>Cabinet Exterior</b></p> <p>1 = Plain Sliced Red Oak ‡2 = Plain Sliced White Maple ‡ ‡ Maple exterior available for Style 1 and Style 5 only</p>	<p><b>Pull Type</b></p> <p>*0 = No Pull 1 = Rounded Aluminum 2 = Black Wire 3 = White Wire 4 = Stainless Steel Wire 5 = Integral Machined 6 = Chrome Plated Wire ‡7 = Beveled Label Holder 8 = Square Aluminum ‡ Mounts horizontally * pull holes bored on 4" centers but no pull provided</p>
----------------------------------------------------------------------------------------------------------------------------------------------------------------------------------------------------------------------------------------------------------------------------------------------------------------------------------------------------------------------------------------------------------------------------------------------------------------------------	----------------------------------------------------------------------------------------------------------------------------------------------------------------------------------------------------------------------------------------------------------------------------------------------------------------------------------------

# Base Cabinet Information



Base cabinets are designed on a "unit" system to allow maximum flexibility in the selection of drawer and/or cupboard door sizes. The charts below show both the actual height as well as the "unit" height of both Steel and Wood Base Cabinets

The adjacent tables indicate the "unit" height, actual height and inside clearance dimensions of the base cabinets drawers and cupboards. Simply match the "unit" code shown on the cabinet to the appropriate code in the tables.

Steel Cabinet Dimensions		
Descriptive Height	Dimensional Height	Unit Height
Standing Mobile	33"	54 units
Sitting Mobile	26 <sup>1</sup> / <sub>4</sub> "	42 units
25" High Suspended	25 <sup>1</sup> / <sub>8</sub> "	48 units
19" High Suspended	19 <sup>3</sup> / <sub>8</sub> "	36 units

Wood Cabinet Dimensions		
Descriptive Height	Dimensional Height	Unit Height
Standing Mobile	33"	22 units
Sitting Mobile	26 <sup>3</sup> / <sub>4</sub> "	17 units
25" High Suspended	25 <sup>15</sup> / <sub>16</sub> "	20 units
19" High Suspended	19 <sup>5</sup> / <sub>8</sub> "	15 units

## Steel Drawer Size Codes

Units High	Drawer Head Height	Inside Dimensions	
		Clear/Height	Length (Front-to-Back)
8	3 <sup>3</sup> / <sub>4</sub> "	2 <sup>3</sup> / <sub>8</sub> "	18"
9	4 <sup>1</sup> / <sub>4</sub> "	2 <sup>3</sup> / <sub>8</sub> "	18"
10	4 <sup>3</sup> / <sub>4</sub> "	3 <sup>7</sup> / <sub>16</sub> "	18"
11	5 <sup>3</sup> / <sub>16</sub> "	3 <sup>15</sup> / <sub>16</sub> "	18"
12	5 <sup>11</sup> / <sub>16</sub> "	4 <sup>7</sup> / <sub>16</sub> "	18"
14	6 <sup>5</sup> / <sub>8</sub> "	5 <sup>3</sup> / <sub>8</sub> "	18"
15	6 <sup>1</sup> / <sub>8</sub> "	5 <sup>7</sup> / <sub>8</sub> "	18"
16	7 <sup>5</sup> / <sub>8</sub> "	6 <sup>3</sup> / <sub>8</sub> "	18"
20	9 <sup>9</sup> / <sub>16</sub> "	8 <sup>5</sup> / <sub>16</sub> "	18"
24	11 <sup>1</sup> / <sub>2</sub> "	10 <sup>1</sup> / <sub>4</sub> "	18"
3	1 <sup>3</sup> / <sub>16</sub> "	Pullout Shelf	

## Steel Drawer Width I.D. (side-to-side)

Base Cabinet Length	Number of Drawers Across		
	1	2	3
12"	8 <sup>3</sup> / <sub>8</sub> "		
15"	11 <sup>3</sup> / <sub>8</sub> "		
18"	14 <sup>3</sup> / <sub>8</sub> "		
21"	17 <sup>3</sup> / <sub>8</sub> "		
24"	20 <sup>3</sup> / <sub>8</sub> "	8 <sup>3</sup> / <sub>8</sub> "	
30"	26 <sup>3</sup> / <sub>8</sub> "	11 <sup>3</sup> / <sub>8</sub> "	
36"	32 <sup>3</sup> / <sub>8</sub> "	14 <sup>3</sup> / <sub>8</sub> "	8 <sup>3</sup> / <sub>8</sub> "
42"	38 <sup>3</sup> / <sub>8</sub> "	17 <sup>3</sup> / <sub>8</sub> "	
48"	44 <sup>3</sup> / <sub>8</sub> "	20 <sup>3</sup> / <sub>8</sub> "	12 <sup>3</sup> / <sub>8</sub> "

## Steel Cupboard Size Codes

Units High	Door Height	Inside Dimensions	
		Height (Top-to-Bottom)	Depth (Front-to-Back)
30	14 <sup>9</sup> / <sub>16</sub> "	13 <sup>9</sup> / <sub>16</sub> "	20 <sup>1</sup> / <sub>2</sub> "
36	17 <sup>7</sup> / <sub>16</sub> "	16 <sup>7</sup> / <sub>16</sub> "	20 <sup>1</sup> / <sub>2</sub> "
45	21 <sup>13</sup> / <sub>16</sub> "	20 <sup>13</sup> / <sub>16</sub> "	20 <sup>1</sup> / <sub>2</sub> "
48	23 <sup>3</sup> / <sub>16</sub> "	22 <sup>3</sup> / <sub>16</sub> "	20 <sup>1</sup> / <sub>2</sub> "
54	26 <sup>1</sup> / <sub>16</sub> "	25 <sup>1</sup> / <sub>16</sub> "	20 <sup>1</sup> / <sub>2</sub> "
60	29"	28"	20 <sup>1</sup> / <sub>2</sub> "

## Steel Cupboard Width I.D. (side-to-side)

Base Cabinet Length	Number of Cupboards Across		
	1	2	3
12"	9 <sup>1</sup> / <sub>2</sub> "		
15"	12 <sup>1</sup> / <sub>2</sub> "		
18"	15 <sup>1</sup> / <sub>2</sub> "		
21"	18 <sup>1</sup> / <sub>2</sub> "		
24"	21 <sup>1</sup> / <sub>2</sub> "	9 <sup>1</sup> / <sub>2</sub> "	
30"	27 <sup>1</sup> / <sub>2</sub> "	12 <sup>1</sup> / <sub>2</sub> "	
36"	33 <sup>1</sup> / <sub>2</sub> "	15 <sup>1</sup> / <sub>2</sub> "	9 <sup>1</sup> / <sub>2</sub> "
42"	39 <sup>1</sup> / <sub>2</sub> "	18 <sup>1</sup> / <sub>2</sub> "	
48"	45 <sup>1</sup> / <sub>2</sub> "	21 <sup>1</sup> / <sub>2</sub> "	13 <sup>1</sup> / <sub>2</sub> "

## Wood Drawer Size Codes

Units High	Drawer Head Height	Inside Dimensions	
		Clear/Height	Length (Front-to-Back)
2	Pullboard		14"
3	2 <sup>13</sup> / <sub>16</sub> "	2 <sup>1</sup> / <sub>8</sub> " †	16 <sup>3</sup> / <sub>4</sub> "
4	4 <sup>1</sup> / <sub>16</sub> "	3 <sup>3</sup> / <sub>8</sub> " †	16 <sup>3</sup> / <sub>4</sub> "
5	5 <sup>5</sup> / <sub>16</sub> "	4 <sup>5</sup> / <sub>8</sub> " †	16 <sup>3</sup> / <sub>4</sub> "
6	6 <sup>9</sup> / <sub>16</sub> "	5 <sup>7</sup> / <sub>8</sub> " †	16 <sup>3</sup> / <sub>4</sub> "
7	7 <sup>13</sup> / <sub>16</sub> "	7 <sup>1</sup> / <sub>8</sub> " †	16 <sup>3</sup> / <sub>4</sub> "
8	9 <sup>1</sup> / <sub>8</sub> "	8 <sup>3</sup> / <sub>8</sub> " †	16 <sup>3</sup> / <sub>4</sub> "
10	11 <sup>5</sup> / <sub>8</sub> "	10 <sup>7</sup> / <sub>8</sub> " †	16 <sup>3</sup> / <sub>4</sub> "
12	14 <sup>1</sup> / <sub>8</sub> "	13 <sup>1</sup> / <sub>8</sub> " †	16 <sup>3</sup> / <sub>4</sub> "

† 1/4" less if drawer is top drawer in cabinet

## Wood Drawer Width I.D. (side-to-side)

Base Cabinet Length	Number of Drawers Across		
	1	2	3
15"	11 <sup>1</sup> / <sub>2</sub> "		
18"	14 <sup>1</sup> / <sub>2</sub> "		
21"	17 <sup>1</sup> / <sub>2</sub> "		
24"	20 <sup>1</sup> / <sub>2</sub> "	8 <sup>3</sup> / <sub>4</sub> "	
30"	26 <sup>1</sup> / <sub>2</sub> "	11 <sup>3</sup> / <sub>4</sub> "	
36"	32 <sup>1</sup> / <sub>2</sub> "	14 <sup>3</sup> / <sub>4</sub> "	8 <sup>3</sup> / <sub>4</sub> "
42"	38 <sup>1</sup> / <sub>2</sub> "	17 <sup>3</sup> / <sub>4</sub> "	11 <sup>3</sup> / <sub>4</sub> "
48"	44 <sup>1</sup> / <sub>2</sub> "	20 <sup>3</sup> / <sub>4</sub> "	14 <sup>3</sup> / <sub>4</sub> "

## Wood Cupboard Size Codes

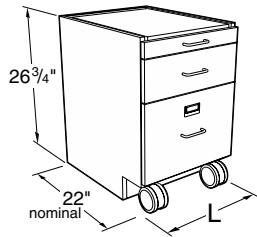
Units High	Opening Height	Inside Dimensions	
		Height (Top-to-Bottom)	Depth (Front-to-Back)
12	14 <sup>3</sup> / <sub>8</sub> "	14 <sup>3</sup> / <sub>8</sub> "	19 <sup>1</sup> / <sub>2</sub> "
15	18 <sup>1</sup> / <sub>8</sub> "	18 <sup>1</sup> / <sub>8</sub> "	19 <sup>1</sup> / <sub>2</sub> "
16	19 <sup>3</sup> / <sub>8</sub> "	19 <sup>3</sup> / <sub>8</sub> "	19 <sup>1</sup> / <sub>2</sub> "
17	20 <sup>5</sup> / <sub>8</sub> "	20 <sup>5</sup> / <sub>8</sub> "	19 <sup>1</sup> / <sub>2</sub> "
18	21 <sup>7</sup> / <sub>8</sub> "	21 <sup>7</sup> / <sub>8</sub> "	19 <sup>1</sup> / <sub>2</sub> "
20	24 <sup>1</sup> / <sub>4</sub> "	24 <sup>1</sup> / <sub>4</sub> "	19 <sup>1</sup> / <sub>2</sub> "
22	26 <sup>3</sup> / <sub>4</sub> "	26 <sup>3</sup> / <sub>4</sub> "	19 <sup>1</sup> / <sub>2</sub> "
24	29 <sup>1</sup> / <sub>4</sub> "	29 <sup>1</sup> / <sub>4</sub> "	19 <sup>1</sup> / <sub>2</sub> "

## Wood Cupboard Width I.D. (side-to-side)

Base Cabinet Length	Number of Cupboards Across		
	1	2	3
15"	13 <sup>1</sup> / <sub>2</sub> "		
18"	16 <sup>1</sup> / <sub>2</sub> "		
21"	19 <sup>1</sup> / <sub>2</sub> "		
24"	22 <sup>1</sup> / <sub>2</sub> "	10 <sup>3</sup> / <sub>4</sub> "	
30"	28 <sup>1</sup> / <sub>2</sub> "	13 <sup>3</sup> / <sub>4</sub> "	
36"	34 <sup>1</sup> / <sub>2</sub> "	16 <sup>3</sup> / <sub>4</sub> "	10 <sup>3</sup> / <sub>4</sub> "
42"	40 <sup>1</sup> / <sub>2</sub> "	19 <sup>3</sup> / <sub>4</sub> "	12 <sup>3</sup> / <sub>4</sub> "
48"	46 <sup>1</sup> / <sub>2</sub> "	22 <sup>3</sup> / <sub>4</sub> "	14 <sup>3</sup> / <sub>4</sub> "

The dimensions shown in these tables are minimums. They may be slightly larger on some cabinet types and/or styles.

# Wood Sitting Height Mobile Cabinets



## Specifications:

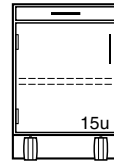
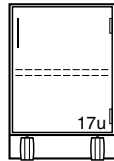
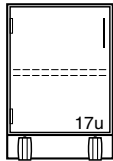
These Mobile Cabinets are 26<sup>3</sup>/<sub>4</sub>" high and a nominal 22" deep. Lengths as shown. They are designed to fit under 30" high worksurface frames.

Drawer cabinets are furnished with counter weights, multiple-drawer cabinets include an interlock system. All mobile cabinets have finished backs.

**Note:** Last four digits of part number designates door and drawer head style, hinge, hardwood species, and pull selection. See page 48 for full explanation. Actual product may vary slightly from catalog illustration due to style and hardware selection.

### Cupboard Cabinets

### Cupboard Cabinets with Pullboards



M10W272215L \_\_\_\_\_ 15"  
M10W272218L \_\_\_\_\_ 18"  
M10W272221L \_\_\_\_\_ 21"  
M10W272224L \_\_\_\_\_ 24"

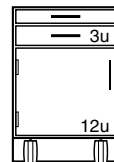
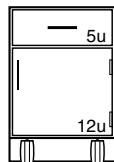
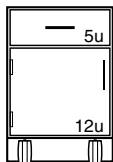
M10W272215- \_\_\_\_\_ 15"  
M10W272218- \_\_\_\_\_ 18"  
M10W272221- \_\_\_\_\_ 21"  
M10W272224- \_\_\_\_\_ 24"

M15W272215L \_\_\_\_\_ 15"  
M15W272218L \_\_\_\_\_ 18"  
M15W272221L \_\_\_\_\_ 21"  
M15W272224L \_\_\_\_\_ 24"

M15W272215- \_\_\_\_\_ 15"  
M15W272218- \_\_\_\_\_ 18"  
M15W272221- \_\_\_\_\_ 21"  
M15W272224- \_\_\_\_\_ 24"

### Drawer/Cupboard Cabinets

### Drawer/Cupboard Cabinets with Pullboards



M20W272215L \_\_\_\_\_ 15"  
M20W272218L \_\_\_\_\_ 18"  
M20W272221L \_\_\_\_\_ 21"  
M20W272224L \_\_\_\_\_ 24"

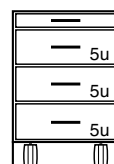
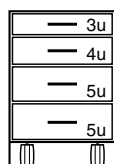
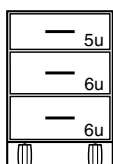
M20W272215- \_\_\_\_\_ 15"  
M20W272218- \_\_\_\_\_ 18"  
M20W272221- \_\_\_\_\_ 21"  
M20W272224- \_\_\_\_\_ 24"

M25W272215L \_\_\_\_\_ 15"  
M25W272218L \_\_\_\_\_ 18"  
M25W272221L \_\_\_\_\_ 21"  
M25W272224L \_\_\_\_\_ 24"

M25W272215- \_\_\_\_\_ 15"  
M25W272218- \_\_\_\_\_ 18"  
M25W272221- \_\_\_\_\_ 21"  
M25W272224- \_\_\_\_\_ 24"

### Drawer Cabinets

### Drawer Cabinets with Pullboards



M30W272215- \_\_\_\_\_ 15"  
M30W272218- \_\_\_\_\_ 18"  
M30W272221- \_\_\_\_\_ 21"  
M30W272224- \_\_\_\_\_ 24"

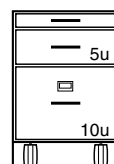
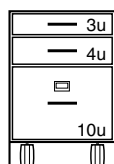
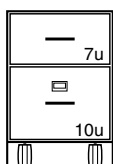
M40W272215- \_\_\_\_\_ 15"  
M40W272218- \_\_\_\_\_ 18"  
M40W272221- \_\_\_\_\_ 21"  
M40W272224- \_\_\_\_\_ 24"

M35W272215- \_\_\_\_\_ 15"  
M35W272218- \_\_\_\_\_ 18"  
M35W272221- \_\_\_\_\_ 21"  
M35W272224- \_\_\_\_\_ 24"

**Note:** Wood Mobile Cabinets are constructed with finished top panels. Tops may be added but are not required to close the top of the cabinet.

Tops are recommended on wood mobile cabinets with pullboards.

**Tops must be ordered separately.** (see page 55)

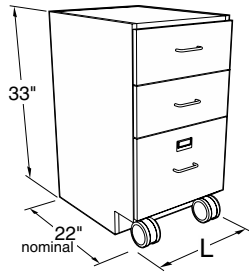


M60W272215- \_\_\_\_\_ 15"  
M60W272218- \_\_\_\_\_ 18"  
M60W272221- \_\_\_\_\_ 21"  
M60W272224- \_\_\_\_\_ 24"

M62W272215- \_\_\_\_\_ 15"  
M62W272218- \_\_\_\_\_ 18"  
M62W272221- \_\_\_\_\_ 21"  
M62W272224- \_\_\_\_\_ 24"

M65W272215- \_\_\_\_\_ 15"  
M65W272218- \_\_\_\_\_ 18"  
M65W272221- \_\_\_\_\_ 21"  
M65W272224- \_\_\_\_\_ 24"

# Wood Standing Height Mobile Cabinets



### Specifications:

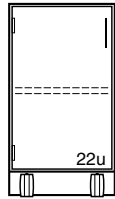
These Mobile Cabinets are 33" high and a nominal 22" deep. Lengths as shown. They are designed to fit under 36" high worksurface frames.

Drawer cabinets are furnished with counter weights, multiple-drawer cabinets include an interlock system. All mobile cabinets have finished backs.

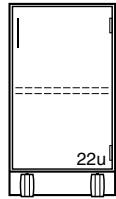
**Note:** Last four digits of part number designates door and drawer head style, hinge, hardwood species, and pull selection. See page 48 for full explanation. Actual product may vary slightly from catalog illustration due to style and hardware selection.

### Cupboard Cabinets

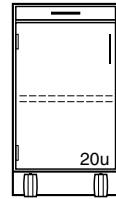
### Cupboard Cabinets with Pullboards



- M10W332215L \_\_\_\_\_ 15"L
- M10W332218L \_\_\_\_\_ 18"L
- M10W332221L \_\_\_\_\_ 21"L
- M10W332224L \_\_\_\_\_ 24"L



- M10W332215- \_\_\_\_\_ 15"L
- M10W332218- \_\_\_\_\_ 18"L
- M10W332221- \_\_\_\_\_ 21"L
- M10W332224- \_\_\_\_\_ 24"L



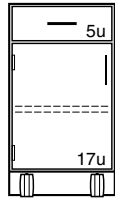
- M15W332215L \_\_\_\_\_ 15"L
- M15W332218L \_\_\_\_\_ 18"L
- M15W332221L \_\_\_\_\_ 21"L
- M15W332224L \_\_\_\_\_ 24"L



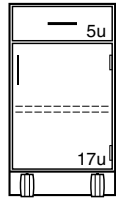
- M15W332215- \_\_\_\_\_ 15"L
- M15W332218- \_\_\_\_\_ 18"L
- M15W332221- \_\_\_\_\_ 21"L
- M15W332224- \_\_\_\_\_ 24"L

### Drawer/Cupboard Cabinets

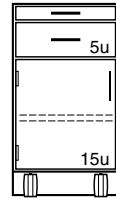
### Drawer/Cupboard Cabinets with Pullboards



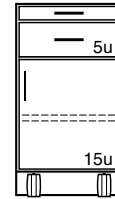
- M20W332215L \_\_\_\_\_ 15"L
- M20W332218L \_\_\_\_\_ 18"L
- M20W332221L \_\_\_\_\_ 21"L
- M20W332224L \_\_\_\_\_ 24"L



- M20W332215- \_\_\_\_\_ 15"L
- M20W332218- \_\_\_\_\_ 18"L
- M20W332221- \_\_\_\_\_ 21"L
- M20W332224- \_\_\_\_\_ 24"L



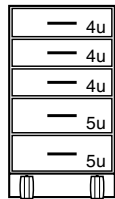
- M25W332215L \_\_\_\_\_ 15"L
- M25W332218L \_\_\_\_\_ 18"L
- M25W332221L \_\_\_\_\_ 21"L
- M25W332224L \_\_\_\_\_ 24"L



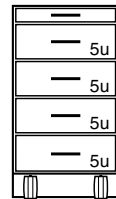
- M25W332215- \_\_\_\_\_ 15"L
- M25W332218- \_\_\_\_\_ 18"L
- M25W332221- \_\_\_\_\_ 21"L
- M25W332224- \_\_\_\_\_ 24"L

### Drawer Cabinets

### Drawer Cabinets with Pullboards



- M50W332215- \_\_\_\_\_ 15"L
- M50W332218- \_\_\_\_\_ 18"L
- M50W332221- \_\_\_\_\_ 21"L
- M50W332224- \_\_\_\_\_ 24"L

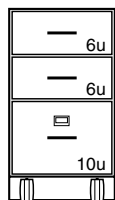


- M45W332215- \_\_\_\_\_ 15"L
- M45W332218- \_\_\_\_\_ 18"L
- M45W332221- \_\_\_\_\_ 21"L
- M45W332224- \_\_\_\_\_ 24"L

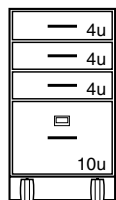
**Note:** Wood Mobile Cabinets are constructed with finished top panels. Tops may be added but are not required to close the top of the cabinet.

Tops are recommended on wood mobile cabinets with pullboards.

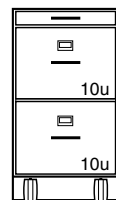
**Tops must be ordered separately.** (see page 55)



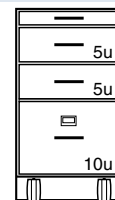
- M62W332215- \_\_\_\_\_ 15"L
- M62W332218- \_\_\_\_\_ 18"L
- M62W332221- \_\_\_\_\_ 21"L
- M62W332224- \_\_\_\_\_ 24"L



- M63W332215- \_\_\_\_\_ 15"L
- M63W332218- \_\_\_\_\_ 18"L
- M63W332221- \_\_\_\_\_ 21"L
- M63W332224- \_\_\_\_\_ 24"L

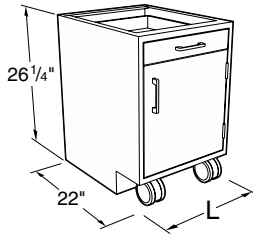


- M75W332215- \_\_\_\_\_ 15"L
- M75W332218- \_\_\_\_\_ 18"L
- M75W332221- \_\_\_\_\_ 21"L
- M75W332224- \_\_\_\_\_ 24"L



- M67W332215- \_\_\_\_\_ 15"L
- M67W332218- \_\_\_\_\_ 18"L
- M67W332221- \_\_\_\_\_ 21"L
- M67W332224- \_\_\_\_\_ 24"L

# Steel Sitting Height Mobile Cabinets



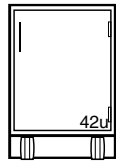
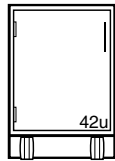
## Specifications

Steel Sitting Height Mobile Cabinets are 26 1/4" high and 22" deep. Lengths as shown. Designed to fit under 30" high workstation frames.

Drawer cabinets are furnished with counter weights, multiple-drawer cabinets include an interlock system. All mobile cabinets have finished backs.

**Note:** Last four digits of part number designates door and drawer head style, hinge, hardwood species and pull selection. See page 48 for full explanation. Actual product may vary slightly from catalog illustration due to style and hardware selection.

## Cupboard Cabinets



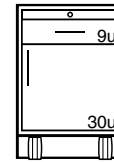
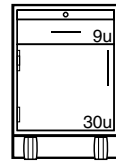
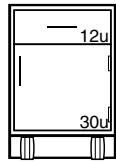
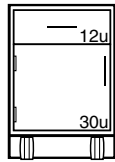
M10C262215L	15"L	M10C262215-	15"L
M10C262218L	18"L	M10C262218-	18"L
M10C262221L	21"L	M10C262221-	21"L
M10C262224L	24"L	M10C262224-	24"L

**Note:** Steel Mobile Cabinets are constructed with open top frames. Tops are required to close the top of the cabinets.

**Tops must be ordered separately.**  
(see page 55)

## Drawer/Cupboard Cabinets

## Drawer/Cupboard Cabinets with Pullboards

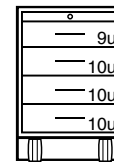
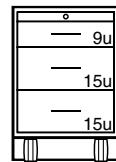
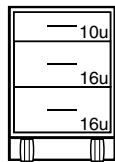


M20C262215L	15"L	M20C262215-	15"L
M20C262218L	18"L	M20C262218-	18"L
M20C262221L	21"L	M20C262221-	21"L
M20C262224L	24"L	M20C262224-	24"L

M25C262215L	15"L	M25C262215-	15"L
M25C262218L	18"L	M25C262218-	18"L
M25C262221L	21"L	M25C262221-	21"L
M25C262224L	24"L	M25C262224-	24"L

## Drawer Cabinets

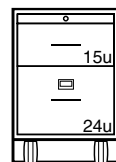
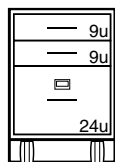
## Drawer Cabinets with Pullboards



M30C262215-	15"L
M30C262218-	18"L
M30C262221-	21"L
M30C262224-	24"L

M35C262215-	15"L
M35C262218-	18"L
M35C262221-	21"L
M35C262224-	24"L

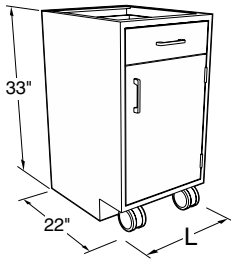
M45C262215-	15"L
M45C262218-	18"L
M45C262221-	21"L
M45C262224-	24"L



M62C262215-	15"L
M62C262218-	18"L
M62C262221-	21"L
M62C262224-	24"L

M66C262215-	15"L
M66C262218-	18"L
M66C262221-	21"L
M66C262224-	24"L

# Steel Standing Height Mobile Cabinets



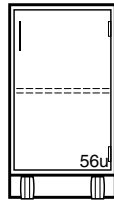
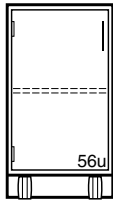
## Specifications

Steel Standing Height Mobile Cabinets are 33" high and 22" deep. Lengths as shown. Designed to fit under 36" high workstation frames.

Drawer cabinets are furnished with counter weights, multiple-drawer cabinets include an interlock system. All mobile cabinets have finished backs.

**Note:** Last four digits of part number designates door and drawer head style, hinge, hardwood species and pull selection. See page 48 for full explanation. Actual product may vary slightly from catalog illustration due to style and hardware selection.

## Cupboard Cabinets



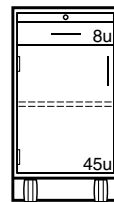
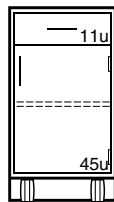
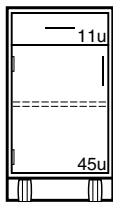
- |             |      |             |      |
|-------------|------|-------------|------|
| M10C332215L | 15"L | M10C332215- | 15"L |
| M10C332218L | 18"L | M10C332218- | 18"L |
| M10C332221L | 21"L | M10C332221- | 21"L |
| M10C332224L | 24"L | M10C332224- | 24"L |

**Note:** Steel Mobile Cabinets are constructed with open top frames. Tops are required to close the top of the cabinets.

**Tops must be ordered separately.**  
(see page 55)

## Drawer/Cupboard Cabinets

## Drawer/Cupboard Cabinets with Pullboards

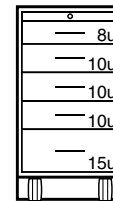
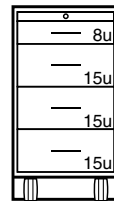
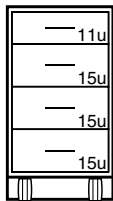


- |             |      |             |      |
|-------------|------|-------------|------|
| M20C332215L | 15"L | M20C332215- | 15"L |
| M20C332218L | 18"L | M20C332218- | 18"L |
| M20C332221L | 21"L | M20C332221- | 21"L |
| M20C332224L | 24"L | M20C332224- | 24"L |

- |             |      |             |      |
|-------------|------|-------------|------|
| M25C332215L | 15"L | M25C332215- | 15"L |
| M25C332218L | 18"L | M25C332218- | 18"L |
| M25C332221L | 21"L | M25C332221- | 21"L |
| M25C332224L | 24"L | M25C332224- | 24"L |

## Drawer Cabinets

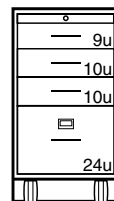
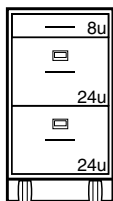
## Drawer Cabinets with Pullboards



- |             |      |
|-------------|------|
| M40C332215- | 15"L |
| M40C332218- | 18"L |
| M40C332221- | 21"L |
| M40C332224- | 24"L |

- |             |      |
|-------------|------|
| M46C332215- | 15"L |
| M46C332218- | 18"L |
| M46C332221- | 21"L |
| M46C332224- | 24"L |

- |             |      |
|-------------|------|
| M56C332215- | 15"L |
| M56C332218- | 18"L |
| M56C332221- | 21"L |
| M56C332224- | 24"L |



- |             |      |
|-------------|------|
| M71C332215- | 15"L |
| M71C332218- | 18"L |
| M71C332221- | 21"L |
| M71C332224- | 24"L |

- |             |      |
|-------------|------|
| M68C332215- | 15"L |
| M68C332218- | 18"L |
| M68C332221- | 21"L |
| M68C332224- | 24"L |

Illustrations and specifications are based on most current design and production information available. Kewaunee reserves the right to make changes at any time without notice.

# Add-A-Drawer Mobile Cabinets

## Specifications:

**Add-A-Drawer Mobile Cabinets** allow the removal of the top drawer assembly to convert the cabinet from standing height to sitting height. The base section of the add-a-drawer cabinet is 26<sup>3</sup>/<sub>4</sub>" high, the add-on drawer 6<sup>1</sup>/<sub>4</sub>", for an overall height of 33".

All add-a-drawer mobile cabinets have finished backs and counter-weights. The M95 four-drawer cabinet incorporates a drawer interlock system on the bottom three drawers.

The cabinets are a nominal 22" deep with lengths as shown. They are designed to fit under 30" and 36" high worksurface frames.

Cupboards have one adjustable shelf.

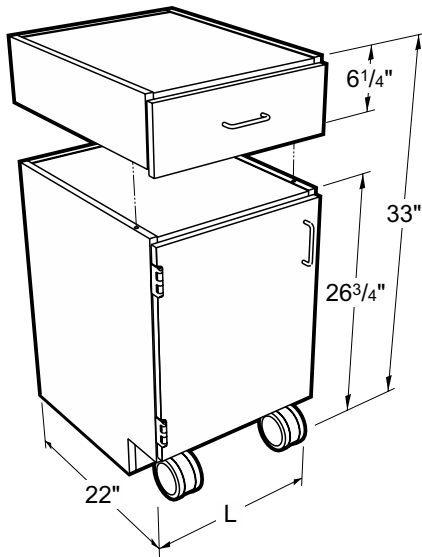
Tops of both the base section and the add-on drawer are finished to match the cabinet.

**Note:** Last four digits of part number designates door and drawer head style, hinge, hardwood species, and pull selection. See page 42 for full explanation. Actual product may vary slightly from catalog illustration due to style and hardware selection.

Tops may be added but are not required for a finished cabinet.

**When desired, tops must be ordered separately.** (see page 55)

### Wood Add-A-Drawer Mobile Cabinets

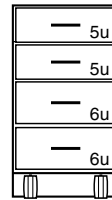


### Drawer/Cupboard Cabinets



<b>M90W332215L</b> -----	15"L	<b>M90W332215-</b> -----	15"L
<b>M90W332218L</b> -----	18"L	<b>M90W332218-</b> -----	18"L
<b>M90W332221L</b> -----	21"L	<b>M90W332221-</b> -----	21"L
<b>M90W332224L</b> -----	24"L	<b>M90W332224-</b> -----	24"L

### Drawer Cabinets



<b>M95W332215-</b> -----	15"L
<b>M95W332218-</b> -----	18"L
<b>M95W332221-</b> -----	21"L
<b>M95W332224-</b> -----	24"L



# Mobile Cabinet Tops & Accessories

## Specifications:

**1" Thick Mobile Cabinet Tops** are available in three depths, 22", 23", or 24" and may be used on either Wood or Steel Mobile Cabinets. All edges are finished.

Steel Mobile Cabinet Tops are fabricated from 18 gauge steel and

finished to match the cabinet. They are designed for steel mobile cabinets only and add less than 1/4" to the overall height of the cabinet.

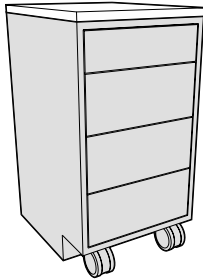
**Mobile Cabinet Grab Bar** allows easier movement and relocation of mobile cabinets. Fabricated from

powder coated steel or stainless steel, they may be used on either steel or wood mobile cabinets, with or without tops.

Bars must be attached in field with supplied screws and/or bolts.

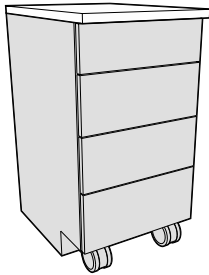
### 1" Thick — Mobile Cabinet Top

#### 22" Deep flush to front of case



Length	Kemresin®	Kemresin Color Options	Black Phenolic Resin	Black Plastic Laminate
15"	F94R2215-00-__	BK = Black	F94T2215-00	F94P2215-00
18"	F94R2218-00-__	GR = Grey	F94T2218-00	F94P2218-00
21"	F94R2221-00-__	PT = Putty	F94T2221-00	F94P2221-00
24"	F94R2224-00-__	SL = Slate	F94T2224-00	F94P2224-00

#### 23" Deep flush to overlay door/drawer fronts - 1" overhang of case



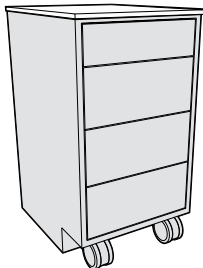
Length	Kemresin®	Kemresin Color Options	Black Phenolic Resin	Black Plastic Laminate
15"	F94R2315-00-__	BK = Black	F94T2315-00	F94P2315-00
18"	F94R2318-00-__	GR = Grey	F94T2318-00	F94P2318-00
21"	F94R2321-00-__	PT = Putty	F94T2321-00	F94P2321-00
24"	F94R2324-00-__	SL = Slate	F94T2324-00	F94P2324-00

#### 24" Deep 1" overhang of overlay door/drawer fronts

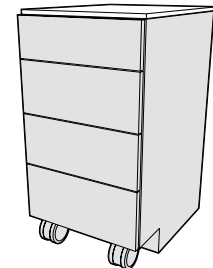
Length	Kemresin®	Kemresin Color Options	Black Phenolic Resin	Black Plastic Laminate
15"	F94R2415-00-__	BK = Black	F94T2415-00	F94P2415-00
18"	F94R2418-00-__	GR = Grey	F94T2418-00	F94P2418-00
21"	F94R2421-00-__	PT = Putty	F94T2421-00	F94P2421-00
24"	F94R2424-00-__	SL = Slate	F94T2424-00	F94P2424-00

### Steel — Mobile Cabinet Top

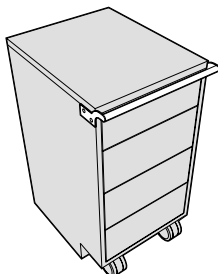
#### for Steel Mobile Cabinets only top 22 1/8" deep



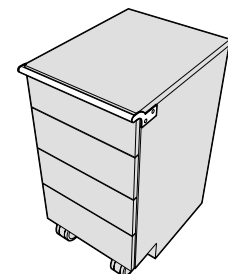
Length	Painted Steel
15"	F94M2215-00
18"	F94M2218-00
21"	F94M2221-00
24"	F94M2224-00



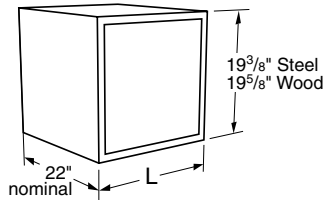
### Mobile Cabinet Grab Bar



Length	Painted Steel	Stainless Steel
15"	F73M0015-00	F73S0015-00
18"	F73M0018-00	F73S0018-00
21"	F73M0021-00	F73S0021-00
24"	F73M0024-00	F73S0024-00



# Suspended Base Cabinets – 19" High



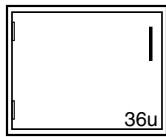
### Specifications:

Suspended Base Cabinets are designed to hang beneath 30" or 36" deep worksurface frames. They are available in either steel or wood construction.

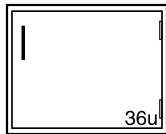
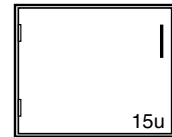
Cabinets on this page are a nominal 19" high, and are available in lengths shown.

See page 48 for designating cabinet style, door and drawer head material, and hardware selection.

## Cupboard Base Cabinets



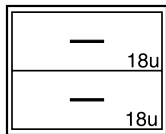
Steel Cabinet	Length	Wood Cabinet
<b>C03C192215L</b> -----	15"	<b>C03W202215L</b> -----
<b>C03C192218L</b> -----	18"	<b>C03W202218L</b> -----
<b>C03C192221L</b> -----	21"	<b>C03W202221L</b> -----
<b>C03C192224L</b> -----	24"	<b>C03W202224L</b> -----



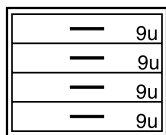
Steel Cabinet	Length	Wood Cabinet
<b>C03C192215-</b> -----	15"	<b>C03W202215-</b> -----
<b>C03C192218-</b> -----	18"	<b>C03W202218-</b> -----
<b>C03C192221-</b> -----	21"	<b>C03W202221-</b> -----
<b>C03C192224-</b> -----	24"	<b>C03W202224-</b> -----



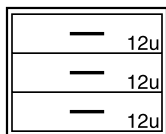
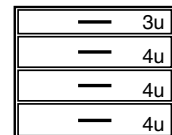
## Drawer Base Cabinets



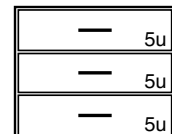
Steel Cabinet	Length	Wood Cabinet
<b>D00C192215-</b> -----	30"	<b>D00W202215- 0</b> -----
<b>D00C192218-</b> -----	36"	<b>D00W202218- 0</b> -----
<b>D00C192221-</b> -----	42"	<b>D00W202221- 0</b> -----
<b>D00C192224-</b> -----	48"	<b>D00W202224- 0</b> -----



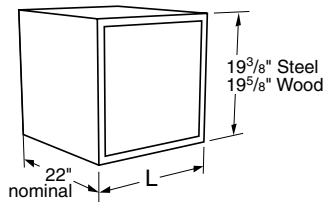
Steel Cabinet	Length	Wood Cabinet
<b>D30C192215-</b> -----	15"	<b>D30W202215- 0</b> -----
<b>D30C192218-</b> -----	18"	<b>D30W202218- 0</b> -----
<b>D30C192221-</b> -----	21"	<b>D30W202221- 0</b> -----
<b>D30C192224-</b> -----	24"	<b>D30W202224- 0</b> -----



Steel Cabinet	Length	Wood Cabinet
<b>D50C192215-</b> -----	15"	<b>D50W202215- 0</b> -----
<b>D50C192218-</b> -----	18"	<b>D50W202218- 0</b> -----
<b>D50C192221-</b> -----	21"	<b>D50W202221- 0</b> -----
<b>D50C192224-</b> -----	24"	<b>D50W202224- 0</b> -----



# Suspended Base Cabinets – 19" High



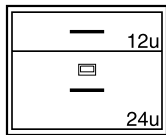
### Specifications:

Suspended Base Cabinets are designed to hang beneath 30" or 36" deep worksurface frames. They are available in either steel or wood construction.

Cabinets on this page are a nominal 19" high, and are available in lengths shown.

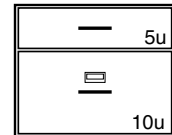
See page 48 for designating cabinet style, door and drawer head material, and hardware selection.

## Drawer Base Cabinets

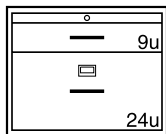


1 File Drawer with hangers

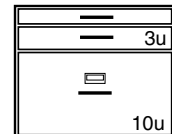
Steel Cabinet	Length	Wood Cabinet
<b>D81C192215-</b> -----	15"	<b>D81W202215- 0</b> ---
<b>D81C192218-</b> -----	18"	<b>D81W202218- 0</b> ---
<b>D81C192221-</b> -----	21"	<b>D81W202221- 0</b> ---
<b>D81C192224-</b> -----	24"	<b>D81W202224- 0</b> ---



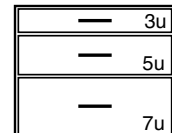
1 File Drawer with hangers



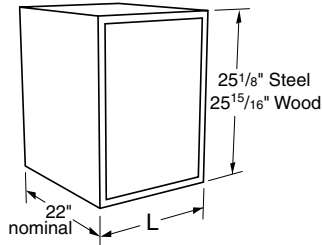
Steel Cabinet	Length	Wood Cabinet
<b>D85C192215-</b> -----	15"	<b>D85W202215- 0</b> ---
<b>D85C192218-</b> -----	18"	<b>D85W202218- 0</b> ---
<b>D85C192221-</b> -----	21"	<b>D85W202221- 0</b> ---
<b>D85C192224-</b> -----	24"	<b>D85W202224- 0</b> ---



Steel Cabinet	Length	Wood Cabinet
<b>D86C192215-</b> -----	15"	<b>D86W202215- 0</b> ---
<b>D86C192218-</b> -----	18"	<b>D86W202218- 0</b> ---
<b>D86C192221-</b> -----	21"	<b>D86W202221- 0</b> ---
<b>D86C192224-</b> -----	24"	<b>D86W202224- 0</b> ---



# Suspended Base Cabinets – 25" High



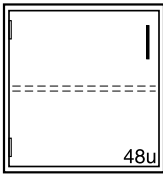
### Specifications:

Suspended Base Cabinets are designed to hang beneath 30" or 36" deep worksurface frames. They are available in either steel or wood construction.

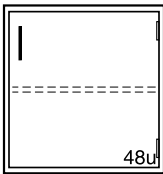
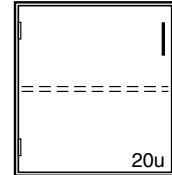
Cabinets on this page are a nominal 25" high, and are available in lengths shown.

See page 48 for designating cabinet style, door and drawer head material, and hardware selection.

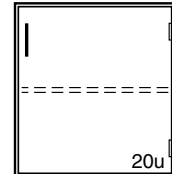
## Cupboard Base Cabinets



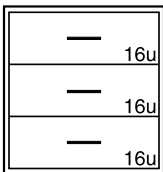
Steel Cabinet	Length	Wood Cabinet
<b>C03C252215L</b> -----	15"	<b>C03W262215L_0</b> ---
<b>C03C252218L</b> -----	18"	<b>C03W262218L_0</b> ---
<b>C03C252221L</b> -----	21"	<b>C03W262221L_0</b> ---
<b>C03C252224L</b> -----	24"	<b>C03W262224L_0</b> ---



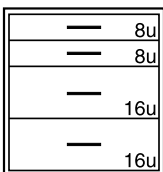
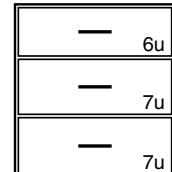
Steel Cabinet	Length	Wood Cabinet
<b>C03C252215-</b> -----	15"	<b>C03W262215-_0</b> ---
<b>C03C252218-</b> -----	18"	<b>C03W262218-_0</b> ---
<b>C03C252221-</b> -----	21"	<b>C03W262221-_0</b> ---
<b>C03C252224-</b> -----	24"	<b>C03W262224-_0</b> ---



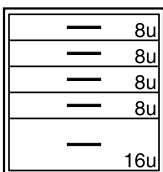
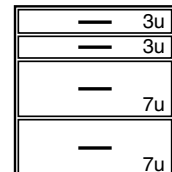
## Drawer Base Cabinets



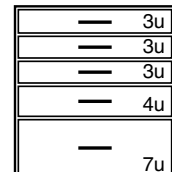
Steel Cabinet	Length	Wood Cabinet
<b>D00C252215-</b> -----	15"	<b>D00W262215-_0</b> ---
<b>D00C252218-</b> -----	18"	<b>D00W262218-_0</b> ---
<b>D00C252221-</b> -----	21"	<b>D00W262221-_0</b> ---
<b>D00C252224-</b> -----	24"	<b>D00W262224-_0</b> ---



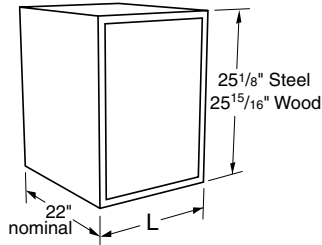
Steel Cabinet	Length	Wood Cabinet
<b>D08C252215-</b> -----	15"	<b>D08W262215-_0</b> ---
<b>D08C252218-</b> -----	18"	<b>D08W262218-_0</b> ---
<b>D08C252221-</b> -----	21"	<b>D08W262221-_0</b> ---
<b>D08C252224-</b> -----	24"	<b>D08W262224-_0</b> ---



Steel Cabinet	Length	Wood Cabinet
<b>D10C252215-</b> -----	15"	<b>D10W262215-_0</b> ---
<b>D10C252218-</b> -----	18"	<b>D10W262218-_0</b> ---
<b>D10C252221-</b> -----	21"	<b>D10W262221-_0</b> ---
<b>D10C252224-</b> -----	24"	<b>D10W262224-_0</b> ---



# Suspended Base Cabinets – 25" High



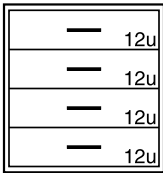
### Specifications:

Suspended Base Cabinets are designed to hang beneath 30" or 36" deep worksurface frames. They are available in either steel or wood construction.

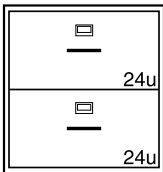
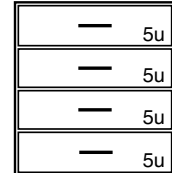
Cabinets on this page are a nominal 25" high, and are available in lengths shown.

See page 48 for designating cabinet style, door and drawer head material, and hardware selection.

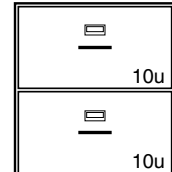
## Drawer Base Cabinets



Steel Cabinet	Length	Wood Cabinet
<b>D30C252215-</b> -----	15"	<b>D30W262215- 0</b> ---
<b>D30C252218-</b> -----	18"	<b>D30W262218- 0</b> ---
<b>D30C252221-</b> -----	21"	<b>D30W262221- 0</b> ---
<b>D30C252224-</b> -----	24"	<b>D30W262224- 0</b> ---

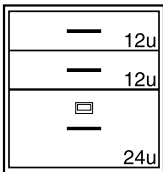


Steel Cabinet	Length	Wood Cabinet
<b>D81C252215-</b> -----	15"	<b>D81W262215- 0</b> ---
<b>D81C252218-</b> -----	18"	<b>D81W262218- 0</b> ---
<b>D81C252221-</b> -----	21"	<b>D81W262221- 0</b> ---
<b>D81C252224-</b> -----	24"	<b>D81W262224- 0</b> ---

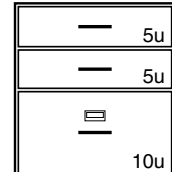


2 File Drawers with hangers

2 File Drawers with hangers



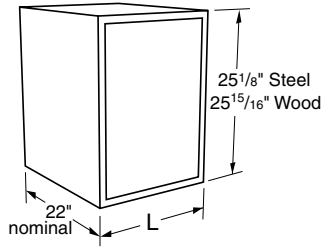
Steel Cabinet	Length	Wood Cabinet
<b>D85C252215-</b> -----	15"	<b>D85W262215- 0</b> ---
<b>D85C252218-</b> -----	18"	<b>D85W262218- 0</b> ---
<b>D85C252221-</b> -----	21"	<b>D85W262221- 0</b> ---
<b>D85C252224-</b> -----	24"	<b>D85W262224- 0</b> ---



1 File Drawer with hangers

1 File Drawer with hangers

# Suspended Base Cabinets – 25" High



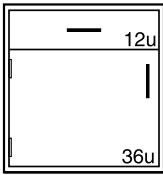
**Specifications:**

Suspended Base Cabinets are designed to hang beneath 30" or 36" deep worksurface frames. They are available in either steel or wood construction.

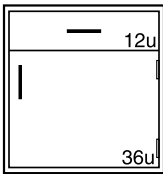
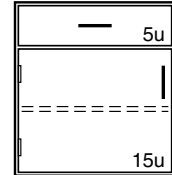
Cabinets on this page are a nominal 25" high, and are available in lengths shown.

See page 48 for designating cabinet style, door and drawer head material, and hardware selection.

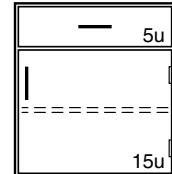
**Drawer & Cupboard Base Cabinets**



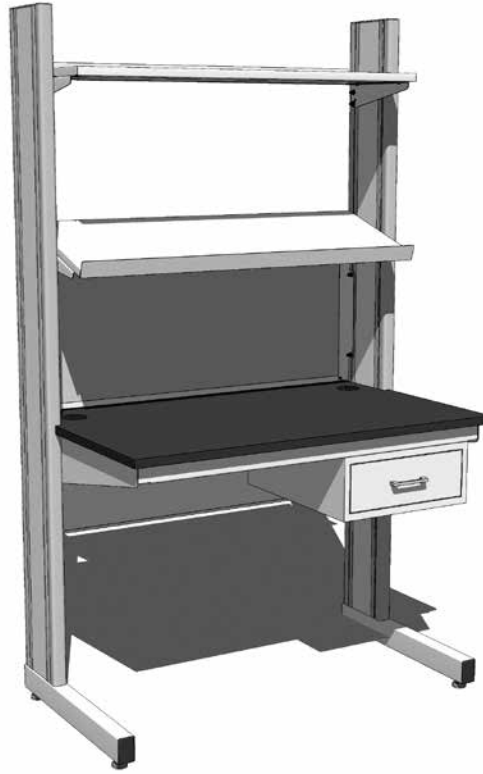
Steel Cabinet	Length	Wood Cabinet
<b>E40C252215L</b>	15"	<b>E40W262215L</b>
<b>E40C252218L</b>	18"	<b>E40W262218L</b>
<b>E40C252221L</b>	21"	<b>E40W262221L</b>
<b>E40C252224L</b>	24"	<b>E40W262224L</b>



Steel Cabinet	Length	Wood Cabinet
<b>E40C252215-</b>	15"	<b>E40W262215-</b>
<b>E40C252218-</b>	18"	<b>E40W262218-</b>
<b>E40C252221-</b>	21"	<b>E40W262221-</b>
<b>E40C252224-</b>	24"	<b>E40W262224-</b>



# Steel Suspended Drawer Units

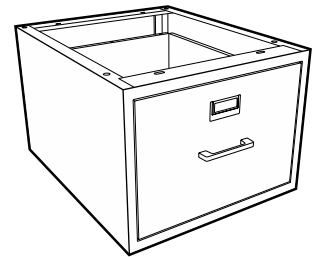
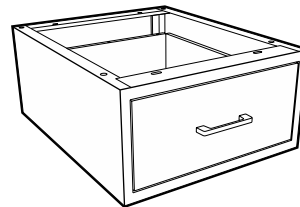
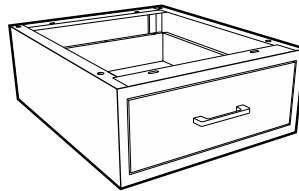
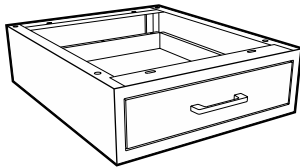


Steel Suspended Drawer Units are designed to hang beneath 30" or 36" deep module frames. They are available in steel construction only and are furnished complete with all required mounting hardware.

Steel Suspended Drawer Units may be stacked to create multiple drawer unit assemblies.

Note: Last four digits of part number designates drawer head style and pull selection. See page 48 for full explanation. Actual product may vary slightly from catalog illustration due to style and hardware selection.

## Steel Suspended Drawer Units



5 1/2" High Drawer Unit	L
D00C062215-	15"
D00C062218-	18"
D00C062221-	21"
D00C062224-	24"

Overall Dimensions	
Overall Height	5 1/2"
Overall Depth	22"
Drawer Head Height	3 3/4"
Inside Dimensions	
Height/Clearance	2 3/8"
Front-to-back	18"

7 1/2" High Drawer Unit	L
D00C082215-	15"
D00C082218-	18"
D00C082221-	21"
D00C082224-	24"

Overall Dimensions	
Overall Height	7 1/2"
Overall Depth	22"
Drawer Head Height	5 1/16"
Inside Dimensions	
Height/Clearance	4 7/16"
Front-to-back	18"

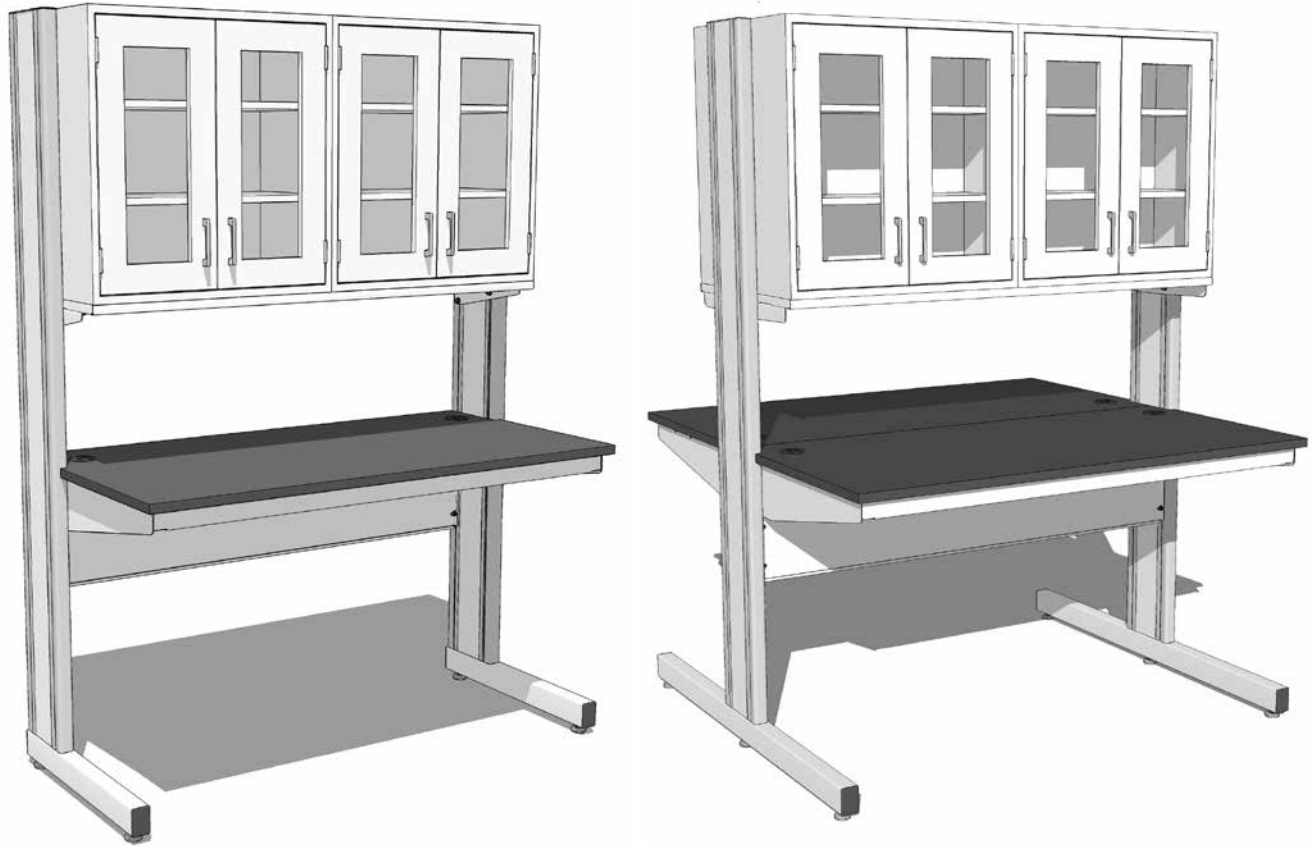
9" High Drawer Unit	L
D00C092215-	15"
D00C092218-	18"
D00C092221-	21"
D00C092224-	24"

Overall Dimensions	
Overall Height	9"
Overall Depth	22"
Drawer Head Height	7 1/8"
Inside Dimensions	
Height/Clearance	5 7/8"
Front-to-back	18"

File Drawer Unit	L
D00C132215-	15"
D00C132218-	18"
D00C132221-	21"
D00C132224-	24"

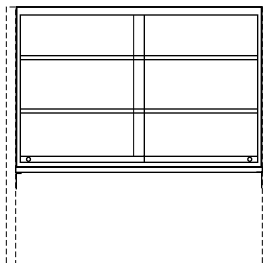
Overall Dimensions	
Overall Height	13 1/4"
Overall Depth	22"
Drawer Head Height	11 1/2"
Inside Dimensions	
Height/Clearance	10 1/4"
Front-to-back	18"

# Upper Storage Cabinets

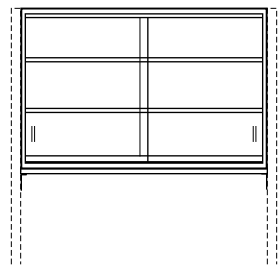


## Sliding Plate Glass Door Cabinets

### Single-sided Steel Cabinets    Single-sided Wood Cabinets



Depth Steel Cabinet	Length Wood Cabinet	Depth
12 <sup>3</sup> / <sub>4</sub> " <b>FW10C301330-00_0</b>	30" <b>FW10W301230-00_0</b>	12"
12 <sup>3</sup> / <sub>4</sub> " <b>FW10C301336-00_0</b>	36" <b>FW10W301236-00_0</b>	12"
12 <sup>3</sup> / <sub>4</sub> " <b>FW10C301342-00_0</b>	42" <b>FW10W301242-00_0</b>	12"
12 <sup>3</sup> / <sub>4</sub> " <b>FW10C301348-00_0</b>	48" <b>FW10W301248-00_0</b>	12"
16" <b>FW10C301630-00_0</b>	30" <b>FW10W301630-00_0</b>	16"
16" <b>FW10C301636-00_0</b>	36" <b>FW10W301636-00_0</b>	16"
16" <b>FW10C301642-00_0</b>	42" <b>FW10W301642-00_0</b>	16"
16" <b>FW10C301648-00_0</b>	48" <b>FW10W301648-00_0</b>	16"



### Double-sided Steel Cabinets    Double-sided Wood Cabinets

Depth Steel Cabinet	Length Wood Cabinet	Depth
25 <sup>1</sup> / <sub>2</sub> " <b>FW10C302630-00_0</b>	30" <b>FW10W302430-00_0</b>	24"
25 <sup>1</sup> / <sub>2</sub> " <b>FW10C302636-00_0</b>	36" <b>FW10W302436-00_0</b>	24"
25 <sup>1</sup> / <sub>2</sub> " <b>FW10C302642-00_0</b>	42" <b>FW10W302442-00_0</b>	24"
25 <sup>1</sup> / <sub>2</sub> " <b>FW10C302648-00_0</b>	48" <b>FW10W302448-00_0</b>	24"
32" <b>FW10C303230-00_0</b>	30" <b>FW10W303230-00_0</b>	32"
32" <b>FW10C303236-00_0</b>	36" <b>FW10W303236-00_0</b>	32"
32" <b>FW10C303242-00_0</b>	42" <b>FW10W303242-00_0</b>	32"
32" <b>FW10C303248-00_0</b>	48" <b>FW10W303248-00_0</b>	32"



# Upper Storage Cabinets

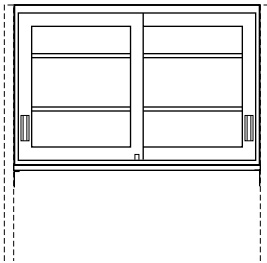
**Upper Storage Cabinets** are used in place of open shelving when enclosed storage and/or resistance to dust is required. Cabinets are available in powder coated steel or hardwood veneer plywood construction, and in a variety of door styles. All Evolution upper cabinets are 30" high and include two adjustable shelves. Double-sided cabinets use two single-sided cabinets mounted back-to-back on a single support assembly. Cabinets

mount between columns and include support assembly and mounting hardware.

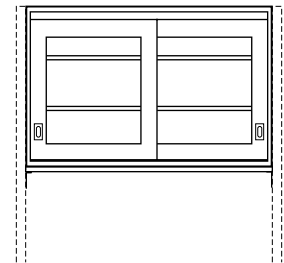
Note: Last four digits of part number designates cabinet/door style and hardware selection. See page 48 for full explanation. Actual product may vary slightly from catalog illustration due to style and hardware selection.

## Sliding Glazed Door Cabinets

### Single-sided Steel Cabinets    Single-sided Wood Cabinets



Depth Steel Cabinet	Length Wood Cabinet	Depth
12 <sup>3</sup> / <sub>4</sub> " <b>FW11C301330-00_0</b>	30" <b>FW11W301230-00_0</b>	12"
12 <sup>3</sup> / <sub>4</sub> " <b>FW11C301336-00_0</b>	36" <b>FW11W301236-00_0</b>	12"
12 <sup>3</sup> / <sub>4</sub> " <b>FW11C301342-00_0</b>	42" <b>FW11W301242-00_0</b>	12"
12 <sup>3</sup> / <sub>4</sub> " <b>FW11C301348-00_0</b>	48" <b>FW11W301248-00_0</b>	12"
16" <b>FW11C301630-00_0</b>	30" <b>FW11W301630-00_0</b>	16"
16" <b>FW11C301636-00_0</b>	36" <b>FW11W301636-00_0</b>	16"
16" <b>FW11C301642-00_0</b>	42" <b>FW11W301642-00_0</b>	16"
16" <b>FW11C301648-00_0</b>	48" <b>FW11W301648-00_0</b>	16"

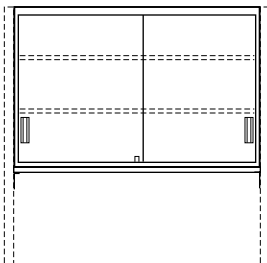


### Double-sided Steel Cabinets    Double-sided Wood Cabinets

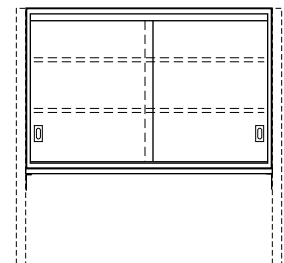
Depth Steel Cabinet	Length Wood Cabinet	Depth
25 <sup>1</sup> / <sub>2</sub> " <b>FW11C302630-00_0</b>	30" <b>FW11W302430-00_0</b>	24"
25 <sup>1</sup> / <sub>2</sub> " <b>FW11C302636-00_0</b>	36" <b>FW11W302436-00_0</b>	24"
25 <sup>1</sup> / <sub>2</sub> " <b>FW11C302642-00_0</b>	42" <b>FW11W302442-00_0</b>	24"
25 <sup>1</sup> / <sub>2</sub> " <b>FW11C302648-00_0</b>	48" <b>FW11W302448-00_0</b>	24"
32" <b>FW11C303230-00_0</b>	30" <b>FW11W303230-00_0</b>	32"
32" <b>FW11C303236-00_0</b>	36" <b>FW11W303236-00_0</b>	32"
32" <b>FW11C303242-00_0</b>	42" <b>FW11W303242-00_0</b>	32"
32" <b>FW11C303248-00_0</b>	48" <b>FW11W303248-00_0</b>	32"

## Sliding Panel Door Cabinets

### Single-sided Steel Cabinets    Single-sided Wood Cabinets



Depth Steel Cabinet	Length Wood Cabinet	Depth
12 <sup>3</sup> / <sub>4</sub> " <b>FW12C301330-00_0</b>	30" <b>FW12W301230-00_0</b>	12"
12 <sup>3</sup> / <sub>4</sub> " <b>FW12C301336-00_0</b>	36" <b>FW12W301236-00_0</b>	12"
12 <sup>3</sup> / <sub>4</sub> " <b>FW12C301342-00_0</b>	42" <b>FW12W301242-00_0</b>	12"
12 <sup>3</sup> / <sub>4</sub> " <b>FW12C301348-00_0</b>	48" <b>FW12W301248-00_0</b>	12"
16" <b>FW12C301630-00_0</b>	30" <b>FW12W301630-00_0</b>	16"
16" <b>FW12C301636-00_0</b>	36" <b>FW12W301636-00_0</b>	16"
16" <b>FW12C301642-00_0</b>	42" <b>FW12W301642-00_0</b>	16"
16" <b>FW12C301648-00_0</b>	48" <b>FW12W301648-00_0</b>	16"



### Double-sided Steel Cabinets    Double-sided Wood Cabinets

Depth Steel Cabinet	Length Wood Cabinet	Depth
25 <sup>1</sup> / <sub>2</sub> " <b>FW12C302630-00_0</b>	30" <b>FW12W302430-00_0</b>	24"
25 <sup>1</sup> / <sub>2</sub> " <b>FW12C302636-00_0</b>	36" <b>FW12W302436-00_0</b>	24"
25 <sup>1</sup> / <sub>2</sub> " <b>FW12C302642-00_0</b>	42" <b>FW12W302442-00_0</b>	24"
25 <sup>1</sup> / <sub>2</sub> " <b>FW12C302648-00_0</b>	48" <b>FW12W302448-00_0</b>	24"
32" <b>FW12C303230-00_0</b>	30" <b>FW12W303230-00_0</b>	32"
32" <b>FW12C303236-00_0</b>	36" <b>FW12W303236-00_0</b>	32"
32" <b>FW12C303242-00_0</b>	42" <b>FW12W303242-00_0</b>	32"
32" <b>FW12C303248-00_0</b>	48" <b>FW12W303248-00_0</b>	32"

# Upper Storage Cabinets

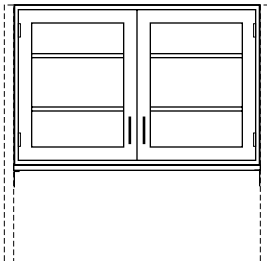
**Upper Storage Cabinets** are used in place of open shelving when enclosed storage and/or resistance to dust is required. Cabinets are available in powder coated steel or hardwood veneer plywood construction, and in a variety of door styles. All Evolution upper cabinets are 30" high and include two adjustable shelves. Double-sided cabinets use two single-sided cabinets mounted back-to-back on a single support assembly. Cabinets mount

between columns and include support assembly and mounting hardware.

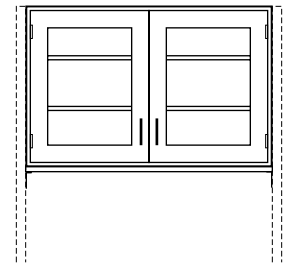
Note: Last four digits of part number designates cabinet/door style and hardware selection. See page 48 for full explanation. Actual product may vary slightly from catalog illustration due to style and hardware selection.

## Swinging Glazed Door Cabinets

### Single-sided Steel Cabinets    Single-sided Wood Cabinets



Depth Steel Cabinet	Length Wood Cabinet	Depth
12 <sup>3</sup> / <sub>4</sub> " <b>FW20C301330-00_0</b>	30" <b>FW20W301230-00_0</b>	12"
12 <sup>3</sup> / <sub>4</sub> " <b>FW20C301336-00_0</b>	36" <b>FW20W301236-00_0</b>	12"
12 <sup>3</sup> / <sub>4</sub> " <b>FW20C301342-00_0</b>	42" <b>FW20W301242-00_0</b>	12"
12 <sup>3</sup> / <sub>4</sub> " <b>FW20C301348-00_0</b>	48" <b>FW20W301248-00_0</b>	12"
16" <b>FW20C301630-00_0</b>	30" <b>FW20W301630-00_0</b>	16"
16" <b>FW20C301636-00_0</b>	36" <b>FW20W301636-00_0</b>	16"
16" <b>FW20C301642-00_0</b>	42" <b>FW20W301642-00_0</b>	16"
16" <b>FW20C301648-00_0</b>	48" <b>FW20W301648-00_0</b>	16"

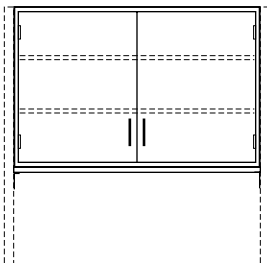


### Double-sided Steel Cabinets    Double-sided Wood Cabinets

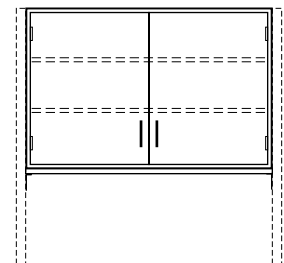
Depth Steel Cabinet	Length Wood Cabinet	Depth
25 <sup>1</sup> / <sub>2</sub> " <b>FW20C302630-00_0</b>	30" <b>FW20W302430-00_0</b>	24"
25 <sup>1</sup> / <sub>2</sub> " <b>FW20C302636-00_0</b>	36" <b>FW20W302436-00_0</b>	24"
25 <sup>1</sup> / <sub>2</sub> " <b>FW20C302642-00_0</b>	42" <b>FW20W302442-00_0</b>	24"
25 <sup>1</sup> / <sub>2</sub> " <b>FW20C302648-00_0</b>	48" <b>FW20W302448-00_0</b>	24"
32" <b>FW20C303230-00_0</b>	30" <b>FW20W303230-00_0</b>	32"
32" <b>FW20C303236-00_0</b>	36" <b>FW20W303236-00_0</b>	32"
32" <b>FW20C303242-00_0</b>	42" <b>FW20W303242-00_0</b>	32"
32" <b>FW20C303248-00_0</b>	48" <b>FW20W303248-00_0</b>	32"

## Swinging Panel Door Cabinets

### Single-sided Steel Cabinets    Single-sided Wood Cabinets



Depth Steel Cabinet	Length Wood Cabinet	Depth
12 <sup>3</sup> / <sub>4</sub> " <b>FW25C301330-00_0</b>	30" <b>FW25W301230-00_0</b>	12"
12 <sup>3</sup> / <sub>4</sub> " <b>FW25C301336-00_0</b>	36" <b>FW25W301236-00_0</b>	12"
12 <sup>3</sup> / <sub>4</sub> " <b>FW25C301342-00_0</b>	42" <b>FW25W301242-00_0</b>	12"
12 <sup>3</sup> / <sub>4</sub> " <b>FW25C301348-00_0</b>	48" <b>FW25W301248-00_0</b>	12"
16" <b>FW25C301630-00_0</b>	30" <b>FW25W301630-00_0</b>	16"
16" <b>FW25C301636-00_0</b>	36" <b>FW25W301636-00_0</b>	16"
16" <b>FW25C301642-00_0</b>	42" <b>FW25W301642-00_0</b>	16"
16" <b>FW25C301648-00_0</b>	48" <b>FW25W301648-00_0</b>	16"

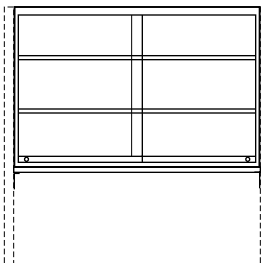


### Double-sided Steel Cabinets    Double-sided Wood Cabinets

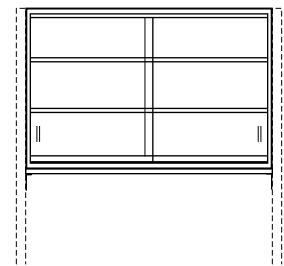
Depth Steel Cabinet	Length Wood Cabinet	Depth
25 <sup>1</sup> / <sub>2</sub> " <b>FW25C302630-00_0</b>	30" <b>FW25W302430-00_0</b>	24"
25 <sup>1</sup> / <sub>2</sub> " <b>FW25C302636-00_0</b>	36" <b>FW25W302436-00_0</b>	24"
25 <sup>1</sup> / <sub>2</sub> " <b>FW25C302642-00_0</b>	42" <b>FW25W302442-00_0</b>	24"
25 <sup>1</sup> / <sub>2</sub> " <b>FW25C302648-00_0</b>	48" <b>FW25W302448-00_0</b>	24"
32" <b>FW25C303230-00_0</b>	30" <b>FW25W303230-00_0</b>	32"
32" <b>FW25C303236-00_0</b>	36" <b>FW25W303236-00_0</b>	32"
32" <b>FW25C303242-00_0</b>	42" <b>FW25W303242-00_0</b>	32"
32" <b>FW25C303248-00_0</b>	48" <b>FW25W303248-00_0</b>	32"

# Pass-thru Upper Storage Cabinets

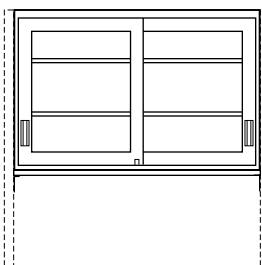
## Sliding Plate Glass Door Cabinets



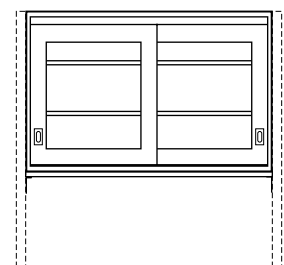
Depth	Steel Cabinet	Length	Wood Cabinet	Depth
16"	<b>FW13C301630-00_0</b>	30"	<b>FW13W301630-00_0</b>	16"
16"	<b>FW13C301636-00_0</b>	36"	<b>FW13W301636-00_0</b>	16"
16"	<b>FW13C301642-00_0</b>	42"	<b>FW13W301642-00_0</b>	16"
16"	<b>FW13C301648-00_0</b>	48"	<b>FW13W301648-00_0</b>	16"
22"	<b>FW13C302230-00_0</b>	30"	<b>FW13W302230-00_0</b>	22"
22"	<b>FW13C302236-00_0</b>	36"	<b>FW13W302236-00_0</b>	22"
22"	<b>FW13C302242-00_0</b>	42"	<b>FW13W302242-00_0</b>	22"
22"	<b>FW13C302248-00_0</b>	48"	<b>FW13W302248-00_0</b>	22"



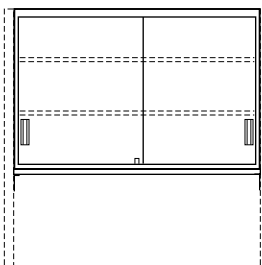
## Sliding Glazed Glass Door Cabinets



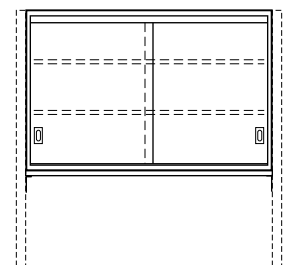
Depth	Steel Cabinet	Length	Wood Cabinet	Depth
16"	<b>FW14C301630-00_0</b>	30"	<b>FW14W301630-00_0</b>	16"
16"	<b>FW14C301636-00_0</b>	36"	<b>FW14W301636-00_0</b>	16"
16"	<b>FW14C301642-00_0</b>	42"	<b>FW14W301642-00_0</b>	16"
16"	<b>FW14C301648-00_0</b>	48"	<b>FW14W301648-00_0</b>	16"
22"	<b>FW14C302230-00_0</b>	30"	<b>FW14W302230-00_0</b>	22"
22"	<b>FW14C302236-00_0</b>	36"	<b>FW14W302236-00_0</b>	22"
22"	<b>FW14C302242-00_0</b>	42"	<b>FW14W302242-00_0</b>	22"
22"	<b>FW14C302248-00_0</b>	48"	<b>FW14W302248-00_0</b>	22"



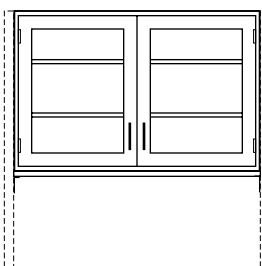
## Sliding Panel Door Cabinets



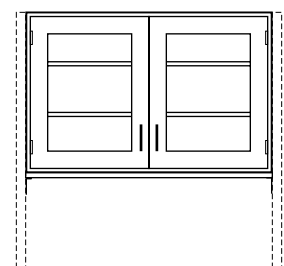
Depth	Steel Cabinet	Length	Wood Cabinet	Depth
16"	<b>FW15C301630-00_0</b>	30"	<b>FW15W301630-00_0</b>	16"
16"	<b>FW15C301636-00_0</b>	36"	<b>FW15W301636-00_0</b>	16"
16"	<b>FW15C301642-00_0</b>	42"	<b>FW15W301642-00_0</b>	16"
16"	<b>FW15C301648-00_0</b>	48"	<b>FW15W301648-00_0</b>	16"
22"	<b>FW15C302230-00_0</b>	30"	<b>FW15W302230-00_0</b>	22"
22"	<b>FW15C302236-00_0</b>	36"	<b>FW15W302236-00_0</b>	22"
22"	<b>FW15C302242-00_0</b>	42"	<b>FW15W302242-00_0</b>	22"
22"	<b>FW15C302248-00_0</b>	48"	<b>FW15W302248-00_0</b>	22"



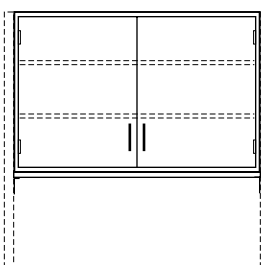
## Swinging Glazed Door Cabinets



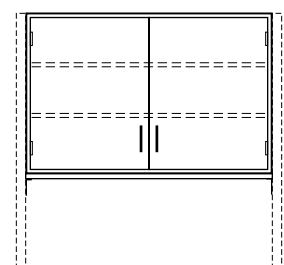
Depth	Steel Cabinet	Length	Wood Cabinet	Depth
16"	<b>FW23C301630-00_0</b>	30"	<b>FW23W301630-00_0</b>	16"
16"	<b>FW23C301636-00_0</b>	36"	<b>FW23W301636-00_0</b>	16"
16"	<b>FW23C301642-00_0</b>	42"	<b>FW23W301642-00_0</b>	16"
16"	<b>FW23C301648-00_0</b>	48"	<b>FW23W301648-00_0</b>	16"
22"	<b>FW23C302230-00_0</b>	30"	<b>FW23W302230-00_0</b>	22"
22"	<b>FW23C302236-00_0</b>	36"	<b>FW23W302236-00_0</b>	22"
22"	<b>FW23C302242-00_0</b>	42"	<b>FW23W302242-00_0</b>	22"
22"	<b>FW23C302248-00_0</b>	48"	<b>FW23W302248-00_0</b>	22"



## Swinging Panel Door Cabinets



Depth	Steel Cabinet	Length	Wood Cabinet	Depth
16"	<b>FW28C301630-00_0</b>	30"	<b>FW28W301630-00_0</b>	16"
16"	<b>FW28C301636-00_0</b>	36"	<b>FW28W301636-00_0</b>	16"
16"	<b>FW28C301642-00_0</b>	42"	<b>FW28W301642-00_0</b>	16"
16"	<b>FW28C301648-00_0</b>	48"	<b>FW28W301648-00_0</b>	16"
22"	<b>FW28C302230-00_0</b>	30"	<b>FW28W302230-00_0</b>	22"
22"	<b>FW28C302236-00_0</b>	36"	<b>FW28W302236-00_0</b>	22"
22"	<b>FW28C302242-00_0</b>	42"	<b>FW28W302242-00_0</b>	22"
22"	<b>FW28C302248-00_0</b>	48"	<b>FW28W302248-00_0</b>	22"



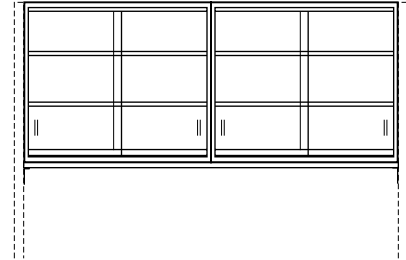
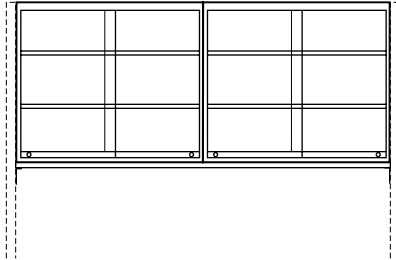
# Upper Storage Cabinets

**Upper Storage Cabinets** are used in place of open shelving when enclosed storage and/or resistance to dust is required. Cabinets are available in powder coated steel or hardwood veneer plywood construction, and in a variety of door styles. All Evolution upper cabinets are 30" high and include two adjustable shelves. Double-sided cabinets use two single-sided cabinets mounted back-to-back on a single support assembly. Cabinets mount

between columns and include support assembly and mounting hardware.

Note: Last four digits of part number designates cabinet/door style and hardware selection. See page 48 for full explanation. Actual product may vary slightly from catalog illustration due to style and hardware selection.

## Sliding Plate Glass Door Cabinets



### Single-sided Steel Cabinets

Depth	Steel Cabinet	Length
12 <sup>3</sup> / <sub>4</sub> "	FW10C301354-00_0	54"
12 <sup>3</sup> / <sub>4</sub> "	FW10C301360-00_0	60"
12 <sup>3</sup> / <sub>4</sub> "	FW10C301366-00_0	66"
12 <sup>3</sup> / <sub>4</sub> "	FW10C301372-00_0	72"
12 <sup>3</sup> / <sub>4</sub> "	FW10C301378-00_0	78"
12 <sup>3</sup> / <sub>4</sub> "	FW10C301384-00_0	84"
12 <sup>3</sup> / <sub>4</sub> "	FW10C301390-00_0	90"
12 <sup>3</sup> / <sub>4</sub> "	FW10C301396-00_0	96"
16"	FW10C301654-00_0	54"
16"	FW10C301660-00_0	60"
16"	FW10C301666-00_0	66"
16"	FW10C301672-00_0	72"
16"	FW10C301678-00_0	78"
16"	FW10C301684-00_0	84"
16"	FW10C301690-00_0	90"
16"	FW10C301696-00_0	96"

### Double-sided Steel Cabinets

Depth	Steel Cabinet	Length
25 <sup>1</sup> / <sub>2</sub> "	FW10C302654-00_0	54"
25 <sup>1</sup> / <sub>2</sub> "	FW10C302660-00_0	60"
25 <sup>1</sup> / <sub>2</sub> "	FW10C302666-00_0	66"
25 <sup>1</sup> / <sub>2</sub> "	FW10C302672-00_0	72"
25 <sup>1</sup> / <sub>2</sub> "	FW10C302678-00_0	78"
25 <sup>1</sup> / <sub>2</sub> "	FW10C302684-00_0	84"
25 <sup>1</sup> / <sub>2</sub> "	FW10C302690-00_0	90"
25 <sup>1</sup> / <sub>2</sub> "	FW10C302696-00_0	96"
32"	FW10C303254-00_0	54"
32"	FW10C303260-00_0	60"
32"	FW10C303266-00_0	66"
32"	FW10C303272-00_0	72"
32"	FW10C303278-00_0	78"
32"	FW10C303284-00_0	84"
32"	FW10C303290-00_0	90"
32"	FW10C303296-00_0	96"

### Single-sided Wood Cabinets

Depth	Wood Cabinet	Length
12"	FW10W301254-00_0	54"
12"	FW10W301260-00_0	60"
12"	FW10W301266-00_0	66"
12"	FW10W301272-00_0	72"
12"	FW10W301278-00_0	78"
12"	FW10W301284-00_0	84"
12"	FW10W301290-00_0	90"
12"	FW10W301296-00_0	96"
16"	FW10W301654-00_0	54"
16"	FW10W301660-00_0	60"
16"	FW10W301666-00_0	66"
16"	FW10W301672-00_0	72"
16"	FW10W301678-00_0	78"
16"	FW10W301684-00_0	84"
16"	FW10W301690-00_0	90"
16"	FW10W301696-00_0	96"

### Double-sided Wood Cabinets

Depth	Wood Cabinet	Length
24"	FW10W302454-00_0	54"
24"	FW10W302460-00_0	60"
24"	FW10W302466-00_0	66"
24"	FW10W302472-00_0	72"
24"	FW10W302478-00_0	78"
24"	FW10W302484-00_0	84"
24"	FW10W302490-00_0	90"
24"	FW10W302496-00_0	96"
32"	FW10W303254-00_0	54"
32"	FW10W303260-00_0	60"
32"	FW10W303266-00_0	66"
32"	FW10W303272-00_0	72"
32"	FW10W303278-00_0	78"
32"	FW10W303284-00_0	84"
32"	FW10W303290-00_0	90"
32"	FW10W303296-00_0	96"

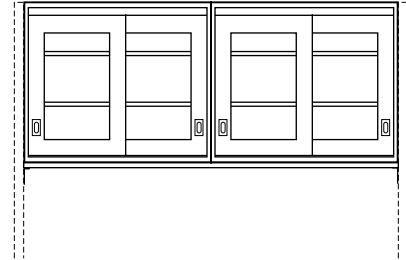
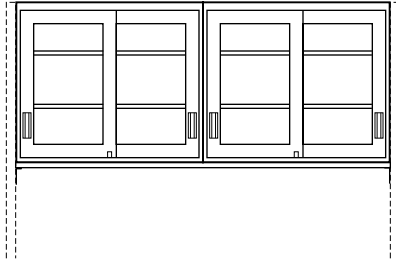
# Upper Storage Cabinets

**Upper Storage Cabinets** are used in place of open shelving when enclosed storage and/or resistance to dust is required. Cabinets are available in powder coated steel or hardwood veneer plywood construction, and in a variety of door styles. All Evolution upper cabinets are 30" high and include two adjustable shelves. Double-sided cabinets use two single-sided cabinets mounted back-to-back on a single support assembly. Cabinets mount

between columns and include support assembly and mounting hardware.

Note: Last four digits of part number designates cabinet/door style and hardware selection. See page 48 for full explanation. Actual product may vary slightly from catalog illustration due to style and hardware selection.

## Sliding Glazed Door Cabinets



### Single-sided Steel Cabinets

Depth	Steel Cabinet	Length
12 <sup>3</sup> / <sub>4</sub> "	FW11C301354-00_0	54"
12 <sup>3</sup> / <sub>4</sub> "	FW11C301360-00_0	60"
12 <sup>3</sup> / <sub>4</sub> "	FW11C301366-00_0	66"
12 <sup>3</sup> / <sub>4</sub> "	FW11C301372-00_0	72"
12 <sup>3</sup> / <sub>4</sub> "	FW11C301378-00_0	78"
12 <sup>3</sup> / <sub>4</sub> "	FW11C301384-00_0	84"
12 <sup>3</sup> / <sub>4</sub> "	FW11C301390-00_0	90"
12 <sup>3</sup> / <sub>4</sub> "	FW11C301396-00_0	96"
16"	FW11C301654-00_0	54"
16"	FW11C301660-00_0	60"
16"	FW11C301666-00_0	66"
16"	FW11C301672-00_0	72"
16"	FW11C301678-00_0	78"
16"	FW11C301684-00_0	84"
16"	FW11C301690-00_0	90"
16"	FW11C301696-00_0	96"

### Single-sided Wood Cabinets

Depth	Wood Cabinet	Length
12"	FW11W301254-00_0	54"
12"	FW11W301260-00_0	60"
12"	FW11W301266-00_0	66"
12"	FW11W301272-00_0	72"
12"	FW11W301278-00_0	78"
12"	FW11W301284-00_0	84"
12"	FW11W301290-00_0	90"
12"	FW11W301296-00_0	96"
16"	FW11W301654-00_0	54"
16"	FW11W301660-00_0	60"
16"	FW11W301666-00_0	66"
16"	FW11W301672-00_0	72"
16"	FW11W301678-00_0	78"
16"	FW11W301684-00_0	84"
16"	FW11W301690-00_0	90"
16"	FW11W301696-00_0	96"

### Double-sided Steel Cabinets

Depth	Steel Cabinet	Length
25 <sup>1</sup> / <sub>2</sub> "	FW11C302654-00_0	54"
25 <sup>1</sup> / <sub>2</sub> "	FW11C302660-00_0	60"
25 <sup>1</sup> / <sub>2</sub> "	FW11C302666-00_0	66"
25 <sup>1</sup> / <sub>2</sub> "	FW11C302672-00_0	72"
25 <sup>1</sup> / <sub>2</sub> "	FW11C302678-00_0	78"
25 <sup>1</sup> / <sub>2</sub> "	FW11C302684-00_0	84"
25 <sup>1</sup> / <sub>2</sub> "	FW11C302690-00_0	90"
25 <sup>1</sup> / <sub>2</sub> "	FW11C302696-00_0	96"
32"	FW11C303254-00_0	54"
32"	FW11C303260-00_0	60"
32"	FW11C303266-00_0	66"
32"	FW11C303272-00_0	72"
32"	FW11C303278-00_0	78"
32"	FW11C303284-00_0	84"
32"	FW11C303290-00_0	90"
32"	FW11C303296-00_0	96"

### Double-sided Wood Cabinets

Depth	Wood Cabinet	Length
24"	FW11W302454-00_0	54"
24"	FW11W302460-00_0	60"
24"	FW11W302466-00_0	66"
24"	FW11W302472-00_0	72"
24"	FW11W302478-00_0	78"
24"	FW11W302484-00_0	84"
24"	FW11W302490-00_0	90"
24"	FW11W302496-00_0	96"
32"	FW11W303254-00_0	54"
32"	FW11W303260-00_0	60"
32"	FW11W303266-00_0	66"
32"	FW11W303272-00_0	72"
32"	FW11W303278-00_0	78"
32"	FW11W303284-00_0	84"
32"	FW11W303290-00_0	90"
32"	FW11W303296-00_0	96"

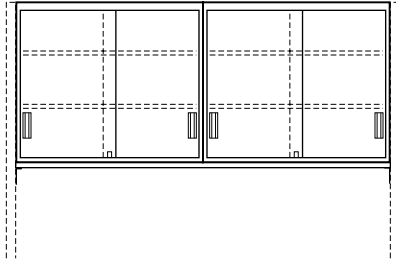
# Upper Storage Cabinets

**Upper Storage Cabinets** are used in place of open shelving when enclosed storage and/or resistance to dust is required. Cabinets are available in powder coated steel or hardwood veneer plywood construction, and in a variety of door styles. All Evolution upper cabinets are 30" high and include two adjustable shelves. Double-sided cabinets use two single-sided cabinets mounted back-to-back on a single support assembly. Cabinets mount

between columns and include support assembly and mounting hardware.

Note: Last four digits of part number designates cabinet/door style and hardware selection. See page 48 for full explanation. Actual product may vary slightly from catalog illustration due to style and hardware selection.

## Sliding Panel Door Cabinets



### Single-sided Steel Cabinets

Depth	Steel Cabinet	Length
12 <sup>3</sup> / <sub>4</sub> "	FW12C301354-00_0	54"
12 <sup>3</sup> / <sub>4</sub> "	FW12C301360-00_0	60"
12 <sup>3</sup> / <sub>4</sub> "	FW12C301366-00_0	66"
12 <sup>3</sup> / <sub>4</sub> "	FW12C301372-00_0	72"
12 <sup>3</sup> / <sub>4</sub> "	FW12C301378-00_0	78"
12 <sup>3</sup> / <sub>4</sub> "	FW12C301384-00_0	84"
12 <sup>3</sup> / <sub>4</sub> "	FW12C301390-00_0	90"
12 <sup>3</sup> / <sub>4</sub> "	FW12C301396-00_0	96"
16"	FW12C301654-00_0	54"
16"	FW12C301660-00_0	60"
16"	FW12C301666-00_0	66"
16"	FW12C301672-00_0	72"
16"	FW12C301678-00_0	78"
16"	FW12C301684-00_0	84"
16"	FW12C301690-00_0	90"
16"	FW12C301696-00_0	96"

### Double-sided Steel Cabinets

Depth	Steel Cabinet	Length
25 <sup>1</sup> / <sub>2</sub> "	FW12C302654-00_0	54"
25 <sup>1</sup> / <sub>2</sub> "	FW12C302660-00_0	60"
25 <sup>1</sup> / <sub>2</sub> "	FW12C302666-00_0	66"
25 <sup>1</sup> / <sub>2</sub> "	FW12C302672-00_0	72"
25 <sup>1</sup> / <sub>2</sub> "	FW12C302678-00_0	78"
25 <sup>1</sup> / <sub>2</sub> "	FW12C302684-00_0	84"
25 <sup>1</sup> / <sub>2</sub> "	FW12C302690-00_0	90"
25 <sup>1</sup> / <sub>2</sub> "	FW12C302696-00_0	96"
32"	FW12C303254-00_0	54"
32"	FW12C303260-00_0	60"
32"	FW12C303266-00_0	66"
32"	FW12C303272-00_0	72"
32"	FW12C303278-00_0	78"
32"	FW12C303284-00_0	84"
32"	FW12C303290-00_0	90"
32"	FW12C303296-00_0	96"

### Single-sided Wood Cabinets

Depth	Wood Cabinet	Length
12"	FW12W301254-00_0	54"
12"	FW12W301260-00_0	60"
12"	FW12W301266-00_0	66"
12"	FW12W301272-00_0	72"
12"	FW12W301278-00_0	78"
12"	FW12W301284-00_0	84"
12"	FW12W301290-00_0	90"
12"	FW12W301296-00_0	96"
16"	FW12W301654-00_0	54"
16"	FW12W301660-00_0	60"
16"	FW12W301666-00_0	66"
16"	FW12W301672-00_0	72"
16"	FW12W301678-00_0	78"
16"	FW12W301684-00_0	84"
16"	FW12W301690-00_0	90"
16"	FW12W301696-00_0	96"

### Double-sided Wood Cabinets

Depth	Wood Cabinet	Length
24"	FW24W302454-00_0	54"
24"	FW24W302460-00_0	60"
24"	FW24W302466-00_0	66"
24"	FW24W302472-00_0	72"
24"	FW24W302478-00_0	78"
24"	FW24W302484-00_0	84"
24"	FW24W302490-00_0	90"
24"	FW24W302496-00_0	96"
32"	FW12W303254-00_0	54"
32"	FW12W303260-00_0	60"
32"	FW12W303266-00_0	66"
32"	FW12W303272-00_0	72"
32"	FW12W303278-00_0	78"
32"	FW12W303284-00_0	84"
32"	FW12W303290-00_0	90"
32"	FW12W303296-00_0	96"

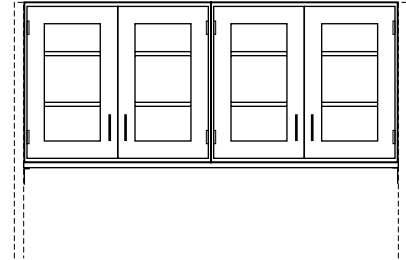
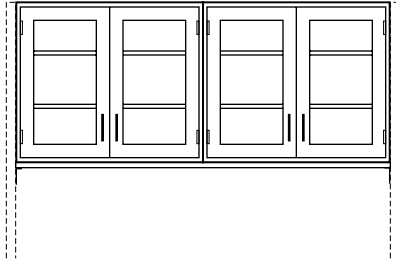
# Upper Storage Cabinets

**Upper Storage Cabinets** are used in place of open shelving when enclosed storage and/or resistance to dust is required. Cabinets are available in powder coated steel or hardwood veneer plywood construction, and in a variety of door styles. All Evolution upper cabinets are 30" high and include two adjustable shelves. Double-sided cabinets use two single-sided cabinets mounted back-to-back on a single support assembly. Cabinets mount

between columns and include support assembly and mounting hardware.

Note: Last four digits of part number designates cabinet/door style and hardware selection. See page 48 for full explanation. Actual product may vary slightly from catalog illustration due to style and hardware selection.

## Swinging Glazed Door Cabinets



### Single-sided Steel Cabinets

Depth	Steel Cabinet	Length
12 <sup>3</sup> / <sub>4</sub> "	FW20C301354-00_0	54"
12 <sup>3</sup> / <sub>4</sub> "	FW20C301360-00_0	60"
12 <sup>3</sup> / <sub>4</sub> "	FW20C301366-00_0	66"
12 <sup>3</sup> / <sub>4</sub> "	FW20C301372-00_0	72"
12 <sup>3</sup> / <sub>4</sub> "	FW20C301378-00_0	78"
12 <sup>3</sup> / <sub>4</sub> "	FW20C301384-00_0	84"
12 <sup>3</sup> / <sub>4</sub> "	FW20C301390-00_0	90"
12 <sup>3</sup> / <sub>4</sub> "	FW20C301396-00_0	96"
16"	FW20C301654-00_0	54"
16"	FW20C301660-00_0	60"
16"	FW20C301666-00_0	66"
16"	FW20C301672-00_0	72"
16"	FW20C301678-00_0	78"
16"	FW20C301684-00_0	84"
16"	FW20C301690-00_0	90"
16"	FW20C301696-00_0	96"

### Double-sided Steel Cabinets

Depth	Steel Cabinet	Length
25 <sup>1</sup> / <sub>2</sub> "	FW20C302654-00_0	54"
25 <sup>1</sup> / <sub>2</sub> "	FW20C302660-00_0	60"
25 <sup>1</sup> / <sub>2</sub> "	FW20C302666-00_0	66"
25 <sup>1</sup> / <sub>2</sub> "	FW20C302672-00_0	72"
25 <sup>1</sup> / <sub>2</sub> "	FW20C302678-00_0	78"
25 <sup>1</sup> / <sub>2</sub> "	FW20C302684-00_0	84"
25 <sup>1</sup> / <sub>2</sub> "	FW20C302690-00_0	90"
25 <sup>1</sup> / <sub>2</sub> "	FW20C302696-00_0	96"
32"	FW20C303254-00_0	54"
32"	FW20C303260-00_0	60"
32"	FW20C303266-00_0	66"
32"	FW20C303272-00_0	72"
32"	FW20C303278-00_0	78"
32"	FW20C303284-00_0	84"
32"	FW20C303290-00_0	90"
32"	FW20C303296-00_0	96"

### Single-sided Wood Cabinets

Depth	Wood Cabinet	Length
12"	FW20W301254-00_0	54"
12"	FW20W301260-00_0	60"
12"	FW20W301266-00_0	66"
12"	FW20W301272-00_0	72"
12"	FW20W301278-00_0	78"
12"	FW20W301284-00_0	84"
12"	FW20W301290-00_0	90"
12"	FW20W301296-00_0	96"
16"	FW20W301654-00_0	54"
16"	FW20W301660-00_0	60"
16"	FW20W301666-00_0	66"
16"	FW20W301672-00_0	72"
16"	FW20W301678-00_0	78"
16"	FW20W301684-00_0	84"
16"	FW20W301690-00_0	90"
16"	FW20W301696-00_0	96"

### Double-sided Wood Cabinets

Depth	Wood Cabinet	Length
24"	FW20W302454-00_0	54"
24"	FW20W302460-00_0	60"
24"	FW20W302466-00_0	66"
24"	FW20W302472-00_0	72"
24"	FW20W302478-00_0	78"
24"	FW20W302484-00_0	84"
24"	FW20W302490-00_0	90"
24"	FW20W302496-00_0	96"
32"	FW20W303254-00_0	54"
32"	FW20W303260-00_0	60"
32"	FW20W303266-00_0	66"
32"	FW20W303272-00_0	72"
32"	FW20W303278-00_0	78"
32"	FW20W303284-00_0	84"
32"	FW20W303290-00_0	90"
32"	FW20W303296-00_0	96"

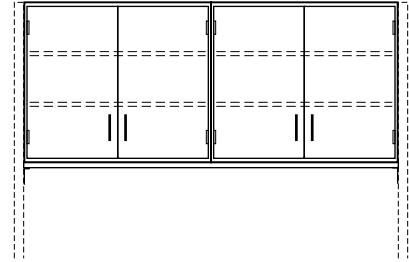
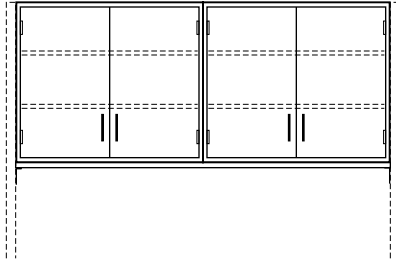
# Upper Storage Cabinets

**Upper Storage Cabinets** are used in place of open shelving when enclosed storage and/or resistance to dust is required. Cabinets are available in powder coated steel or hardwood veneer plywood construction, and in a variety of door styles. All Evolution upper cabinets are 30" high and include two adjustable shelves. Double-sided cabinets use two single-sided cabinets mounted back-to-back on a single support assembly. Cabinets mount

between columns and include support assembly and mounting hardware.

Note: Last four digits of part number designates cabinet/door style and hardware selection. See page 48 for full explanation. Actual product may vary slightly from catalog illustration due to style and hardware selection.

## Swinging Panel Door Cabinets



### Single-sided Steel Cabinets

Depth	Steel Cabinet	Length
12 <sup>3</sup> / <sub>4</sub> "	<b>FW25C301354-00_0</b>	54"
12 <sup>3</sup> / <sub>4</sub> "	<b>FW25C301360-00_0</b>	60"
12 <sup>3</sup> / <sub>4</sub> "	<b>FW25C301366-00_0</b>	66"
12 <sup>3</sup> / <sub>4</sub> "	<b>FW25C301372-00_0</b>	72"
12 <sup>3</sup> / <sub>4</sub> "	<b>FW25C301378-00_0</b>	78"
12 <sup>3</sup> / <sub>4</sub> "	<b>FW25C301384-00_0</b>	84"
12 <sup>3</sup> / <sub>4</sub> "	<b>FW25C301390-00_0</b>	90"
12 <sup>3</sup> / <sub>4</sub> "	<b>FW25C301396-00_0</b>	96"
16"	<b>FW25C301654-00_0</b>	54"
16"	<b>FW25C301660-00_0</b>	60"
16"	<b>FW25C301666-00_0</b>	66"
16"	<b>FW25C301672-00_0</b>	72"
16"	<b>FW25C301678-00_0</b>	78"
16"	<b>FW25C301684-00_0</b>	84"
16"	<b>FW25C301690-00_0</b>	90"
16"	<b>FW25C301696-00_0</b>	96"

### Single-sided Wood Cabinets

Depth	Wood Cabinet	Length
12"	<b>FW25W301254-00_0</b>	54"
12"	<b>FW25W301260-00_0</b>	60"
12"	<b>FW25W301266-00_0</b>	66"
12"	<b>FW25W301272-00_0</b>	72"
12"	<b>FW25W301278-00_0</b>	78"
12"	<b>FW25W301284-00_0</b>	84"
12"	<b>FW25W301290-00_0</b>	90"
12"	<b>FW25W301296-00_0</b>	96"
16"	<b>FW25W301654-00_0</b>	54"
16"	<b>FW25W301660-00_0</b>	60"
16"	<b>FW25W301666-00_0</b>	66"
16"	<b>FW25W301672-00_0</b>	72"
16"	<b>FW25W301678-00_0</b>	78"
16"	<b>FW25W301684-00_0</b>	84"
16"	<b>FW25W301690-00_0</b>	90"
16"	<b>FW25W301696-00_0</b>	96"

### Double-sided Steel Cabinets

Depth	Steel Cabinet	Length
25 <sup>1</sup> / <sub>2</sub> "	<b>FW25C302654-00_0</b>	54"
25 <sup>1</sup> / <sub>2</sub> "	<b>FW25C302660-00_0</b>	60"
25 <sup>1</sup> / <sub>2</sub> "	<b>FW25C302666-00_0</b>	66"
25 <sup>1</sup> / <sub>2</sub> "	<b>FW25C302672-00_0</b>	72"
25 <sup>1</sup> / <sub>2</sub> "	<b>FW25C302678-00_0</b>	78"
25 <sup>1</sup> / <sub>2</sub> "	<b>FW25C302684-00_0</b>	84"
25 <sup>1</sup> / <sub>2</sub> "	<b>FW25C302690-00_0</b>	90"
25 <sup>1</sup> / <sub>2</sub> "	<b>FW25C302696-00_0</b>	96"
32"	<b>FW25C303254-00_0</b>	54"
32"	<b>FW25C303260-00_0</b>	60"
32"	<b>FW25C303266-00_0</b>	66"
32"	<b>FW25C303272-00_0</b>	72"
32"	<b>FW25C303278-00_0</b>	78"
32"	<b>FW25C303284-00_0</b>	84"
32"	<b>FW25C303290-00_0</b>	90"
32"	<b>FW25C303296-00_0</b>	96"

### Double-sided Wood Cabinets

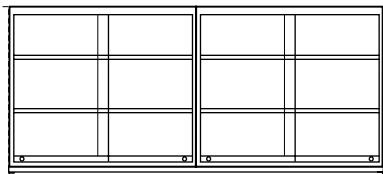
Depth	Wood Cabinet	Length
24"	<b>FW25W302454-00_0</b>	54"
24"	<b>FW25W302460-00_0</b>	60"
24"	<b>FW25W302466-00_0</b>	66"
24"	<b>FW25W302472-00_0</b>	72"
24"	<b>FW25W302478-00_0</b>	78"
24"	<b>FW25W302484-00_0</b>	84"
24"	<b>FW25W302490-00_0</b>	90"
24"	<b>FW25W302496-00_0</b>	96"
32"	<b>FW25W303254-00_0</b>	54"
32"	<b>FW25W303260-00_0</b>	60"
32"	<b>FW25W303266-00_0</b>	66"
32"	<b>FW25W303272-00_0</b>	72"
32"	<b>FW25W303278-00_0</b>	78"
32"	<b>FW25W303284-00_0</b>	84"
32"	<b>FW25W303290-00_0</b>	90"
32"	<b>FW25W303296-00_0</b>	96"



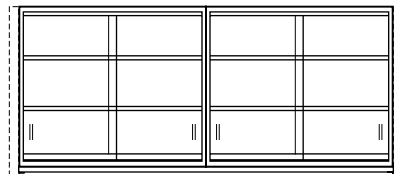
# Pass-thru Upper Storage Cabinets



## Sliding Plate Glass Door Cabinets



Depth	Steel Cabinet	Length
16"	<b>FW13C301654-00_0</b>	54"
16"	<b>FW13C301660-00_0</b>	60"
16"	<b>FW13C301666-00_0</b>	66"
16"	<b>FW13C301672-00_0</b>	72"
16"	<b>FW13C301678-00_0</b>	78"
16"	<b>FW13C301684-00_0</b>	84"
16"	<b>FW13C301690-00_0</b>	90"
16"	<b>FW13C301696-00_0</b>	96"
22"	<b>FW13C302254-00_0</b>	54"
22"	<b>FW13C302260-00_0</b>	60"
22"	<b>FW13C302266-00_0</b>	66"
22"	<b>FW13C302272-00_0</b>	72"
22"	<b>FW13C302278-00_0</b>	78"
22"	<b>FW13C302284-00_0</b>	84"
22"	<b>FW13C302290-00_0</b>	90"
22"	<b>FW13C302296-00_0</b>	96"



Depth	Wood Cabinet	Length
16"	<b>FW13W301654-00_0</b>	54"
16"	<b>FW13W301660-00_0</b>	60"
16"	<b>FW13W301666-00_0</b>	66"
16"	<b>FW13W301672-00_0</b>	72"
16"	<b>FW13W301678-00_0</b>	78"
16"	<b>FW13W301684-00_0</b>	84"
16"	<b>FW13W301690-00_0</b>	90"
16"	<b>FW13W301696-00_0</b>	96"
22"	<b>FW13W302254-00_0</b>	54"
22"	<b>FW13W302260-00_0</b>	60"
22"	<b>FW13W302266-00_0</b>	66"
22"	<b>FW13W302272-00_0</b>	72"
22"	<b>FW13W302278-00_0</b>	78"
22"	<b>FW13W302284-00_0</b>	84"
22"	<b>FW13W302290-00_0</b>	90"
22"	<b>FW13W302296-00_0</b>	96"

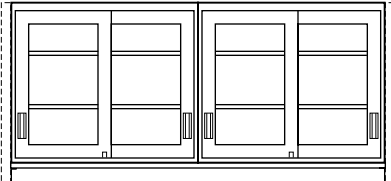
Illustrations and specifications are based on most current design and production information available. Kewaunee reserves the right to make changes at any time without notice.

# Pass-thru Upper Storage Cabinets

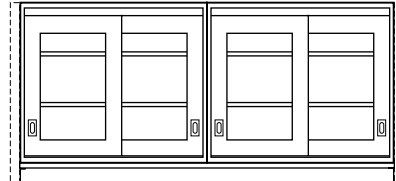
**Pass-thru Upper Storage Cabinets** are used in place of open shelving when enclosed storage and/or resistance to dust is required. Cabinets are available in powder coated steel or hardwood veneer plywood construction, and in a variety of door styles. All Evolution upper cabinets are 30" high and include two adjustable shelves. Cabinets mount between columns and include support assembly and mounting hardware.

Note: Last four digits of part number designates cabinet/door style and hardware selection. See page 48 for full explanation. Actual product may vary slightly from catalog illustration due to style and hardware selection.

## Sliding Glazed Door Cabinets

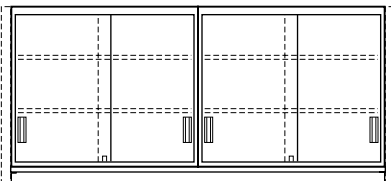


Depth	Steel Cabinet	Length
16"	<b>FW14C301654-00_0</b>	54"
16"	<b>FW14C301660-00_0</b>	60"
16"	<b>FW14C301666-00_0</b>	66"
16"	<b>FW14C301672-00_0</b>	72"
16"	<b>FW14C301678-00_0</b>	78"
16"	<b>FW14C301684-00_0</b>	84"
16"	<b>FW14C301690-00_0</b>	90"
16"	<b>FW14C301696-00_0</b>	96"
<hr/>		
22"	<b>FW14C302254-00_0</b>	54"
22"	<b>FW14C302260-00_0</b>	60"
22"	<b>FW14C302266-00_0</b>	66"
22"	<b>FW14C302272-00_0</b>	72"
22"	<b>FW14C302278-00_0</b>	78"
22"	<b>FW14C302284-00_0</b>	84"
22"	<b>FW14C302290-00_0</b>	90"
22"	<b>FW14C302296-00_0</b>	96"

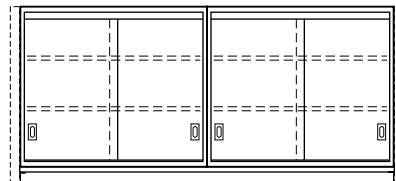


Depth	Wood Cabinet	Length
16"	<b>FW14W301654-00_0</b>	54"
16"	<b>FW14W301660-00_0</b>	60"
16"	<b>FW14W301666-00_0</b>	66"
16"	<b>FW14W301672-00_0</b>	72"
16"	<b>FW14W301678-00_0</b>	78"
16"	<b>FW14W301684-00_0</b>	84"
16"	<b>FW14W301690-00_0</b>	90"
16"	<b>FW14W301696-00_0</b>	96"
<hr/>		
22"	<b>FW14W302254-00_0</b>	54"
22"	<b>FW14W302260-00_0</b>	60"
22"	<b>FW14W302266-00_0</b>	66"
22"	<b>FW14W302272-00_0</b>	72"
22"	<b>FW14W302278-00_0</b>	78"
22"	<b>FW14W302284-00_0</b>	84"
22"	<b>FW14W302290-00_0</b>	90"
22"	<b>FW14W302296-00_0</b>	96"

## Sliding Panel Door Cabinets



Depth	Steel Cabinet	Length
16"	<b>FW15C301654-00_0</b>	54"
16"	<b>FW15C301660-00_0</b>	60"
16"	<b>FW15C301666-00_0</b>	66"
16"	<b>FW15C301672-00_0</b>	72"
16"	<b>FW15C301678-00_0</b>	78"
16"	<b>FW15C301684-00_0</b>	84"
16"	<b>FW15C301690-00_0</b>	90"
16"	<b>FW15C301696-00_0</b>	96"
<hr/>		
22"	<b>FW15C302254-00_0</b>	54"
22"	<b>FW15C302260-00_0</b>	60"
22"	<b>FW15C302266-00_0</b>	66"
22"	<b>FW15C302272-00_0</b>	72"
22"	<b>FW15C302278-00_0</b>	78"
22"	<b>FW15C302284-00_0</b>	84"
22"	<b>FW15C302290-00_0</b>	90"
22"	<b>FW15C302296-00_0</b>	96"



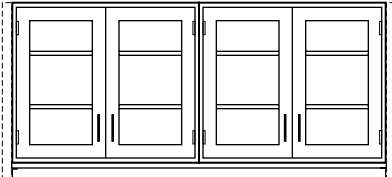
Depth	Wood Cabinet	Length
16"	<b>FW15W301654-00_0</b>	54"
16"	<b>FW15W301660-00_0</b>	60"
16"	<b>FW15W301666-00_0</b>	66"
16"	<b>FW15W301672-00_0</b>	72"
16"	<b>FW15W301678-00_0</b>	78"
16"	<b>FW15W301684-00_0</b>	84"
16"	<b>FW15W301690-00_0</b>	90"
16"	<b>FW15W301696-00_0</b>	96"
<hr/>		
22"	<b>FW15W302254-00_0</b>	54"
22"	<b>FW15W302260-00_0</b>	60"
22"	<b>FW15W302266-00_0</b>	66"
22"	<b>FW15W302272-00_0</b>	72"
22"	<b>FW15W302278-00_0</b>	78"
22"	<b>FW15W302284-00_0</b>	84"
22"	<b>FW15W302290-00_0</b>	90"
22"	<b>FW15W302296-00_0</b>	96"

# Pass-thru Upper Storage Cabinets

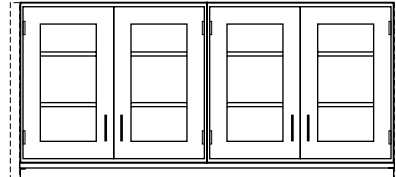
**Pass-thru Upper Storage Cabinets** are used in place of open shelving when enclosed storage and/or resistance to dust is required. Cabinets are available in powder coated steel or hardwood veneer plywood construction, and in a variety of door styles. All Evolution upper cabinets are 30" high and include two adjustable shelves. Cabinets mount between columns and include support assembly and mounting hardware.

Note: Last four digits of part number designates cabinet/door style and hardware selection. See page 48 for full explanation. Actual product may vary slightly from catalog illustration due to style and hardware selection.

## Swinging Glazed Door Cabinets

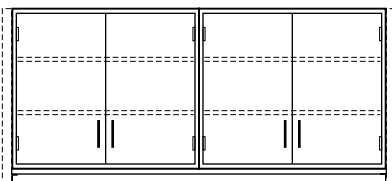


Depth	Steel Cabinet	Length
16"	<b>FW23C301654-00_0</b>	54"
16"	<b>FW23C301660-00_0</b>	60"
16"	<b>FW23C301666-00_0</b>	66"
16"	<b>FW23C301672-00_0</b>	72"
16"	<b>FW23C301678-00_0</b>	78"
16"	<b>FW23C301684-00_0</b>	84"
16"	<b>FW23C301690-00_0</b>	90"
16"	<b>FW23C301696-00_0</b>	96"
22"	<b>FW23C302254-00_0</b>	54"
22"	<b>FW23C302260-00_0</b>	60"
22"	<b>FW23C302266-00_0</b>	66"
22"	<b>FW23C302272-00_0</b>	72"
22"	<b>FW23C302278-00_0</b>	78"
22"	<b>FW23C302284-00_0</b>	84"
22"	<b>FW23C302290-00_0</b>	90"
22"	<b>FW23C302296-00_0</b>	96"

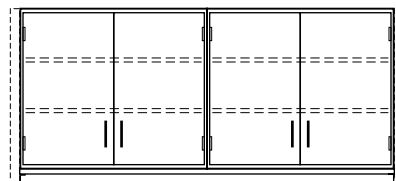


Depth	Wood Cabinet	Length
16"	<b>FW23W301654-00_0</b>	54"
16"	<b>FW23W301660-00_0</b>	60"
16"	<b>FW23W301666-00_0</b>	66"
16"	<b>FW23W301672-00_0</b>	72"
16"	<b>FW23W301678-00_0</b>	78"
16"	<b>FW23W301684-00_0</b>	84"
16"	<b>FW23W301690-00_0</b>	90"
16"	<b>FW23W301696-00_0</b>	96"
22"	<b>FW23W302254-00_0</b>	54"
22"	<b>FW23W302260-00_0</b>	60"
22"	<b>FW23W302266-00_0</b>	66"
22"	<b>FW23W302272-00_0</b>	72"
22"	<b>FW23W302278-00_0</b>	78"
22"	<b>FW23W302284-00_0</b>	84"
22"	<b>FW23W302290-00_0</b>	90"
22"	<b>FW23W302296-00_0</b>	96"

## Swinging Panel Door Cabinets



Depth	Steel Cabinet	Length
16"	<b>FW28C301654-00_0</b>	54"
16"	<b>FW28C301660-00_0</b>	60"
16"	<b>FW28C301666-00_0</b>	66"
16"	<b>FW28C301672-00_0</b>	72"
16"	<b>FW28C301678-00_0</b>	78"
16"	<b>FW28C301684-00_0</b>	84"
16"	<b>FW28C301690-00_0</b>	90"
16"	<b>FW28C301696-00_0</b>	96"
22"	<b>FW28C302254-00_0</b>	54"
22"	<b>FW28C302260-00_0</b>	60"
22"	<b>FW28C302266-00_0</b>	66"
22"	<b>FW28C302272-00_0</b>	72"
22"	<b>FW28C302278-00_0</b>	78"
22"	<b>FW28C302284-00_0</b>	84"
22"	<b>FW28C302290-00_0</b>	90"
22"	<b>FW28C302296-00_0</b>	96"



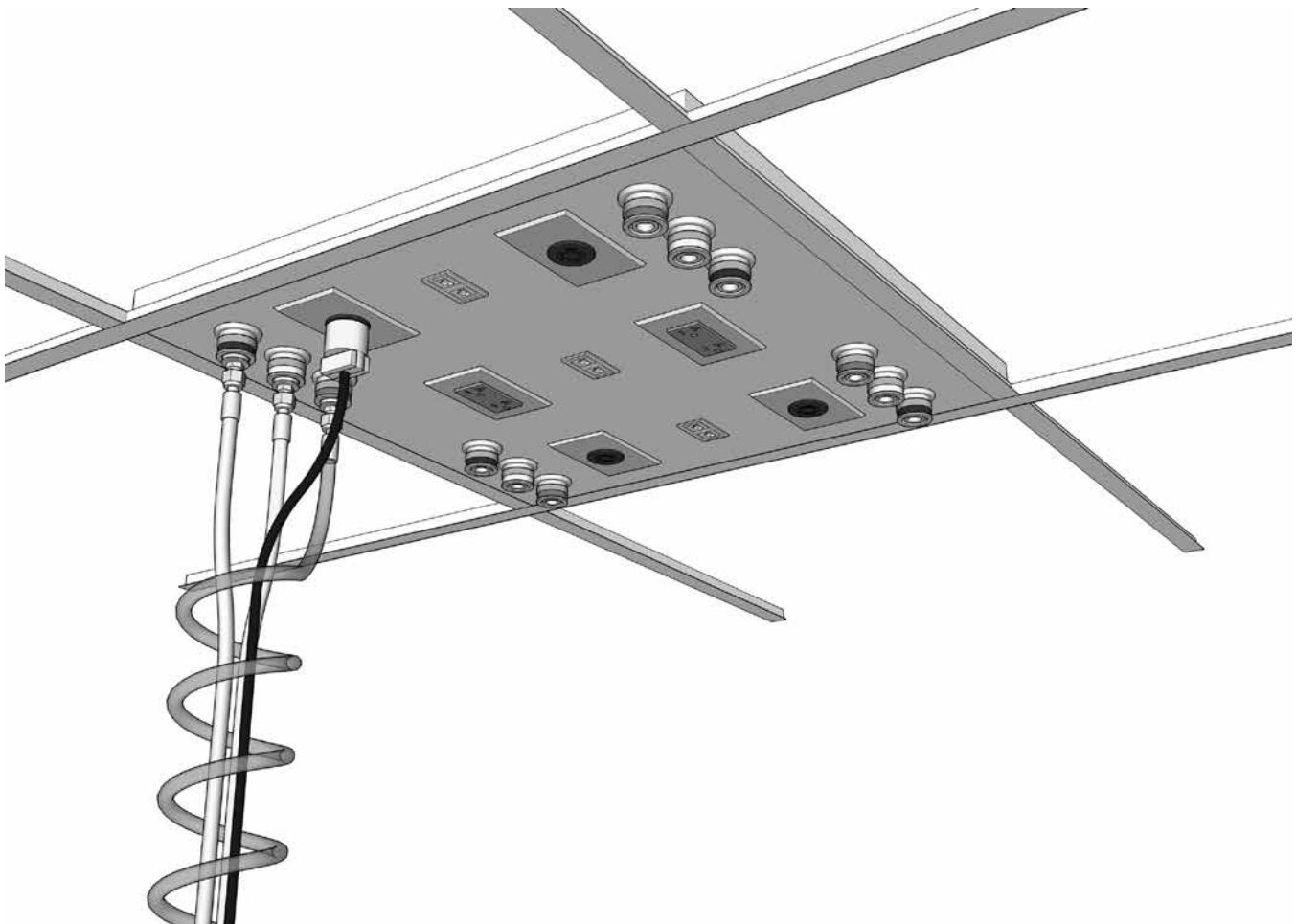
Depth	Wood Cabinet	Length
16"	<b>FW28W301654-00_0</b>	54"
16"	<b>FW28W301660-00_0</b>	60"
16"	<b>FW28W301666-00_0</b>	66"
16"	<b>FW28W301672-00_0</b>	72"
16"	<b>FW28W301678-00_0</b>	78"
16"	<b>FW28W301684-00_0</b>	84"
16"	<b>FW28W301690-00_0</b>	90"
16"	<b>FW28W301696-00_0</b>	96"
22"	<b>FW28W302254-00_0</b>	54"
22"	<b>FW28W302260-00_0</b>	60"
22"	<b>FW28W302266-00_0</b>	66"
22"	<b>FW28W302272-00_0</b>	72"
22"	<b>FW28W302278-00_0</b>	78"
22"	<b>FW28W302284-00_0</b>	84"
22"	<b>FW28W302290-00_0</b>	90"
22"	<b>FW28W302296-00_0</b>	96"

Illustrations and specifications are based on most current design and production information available. Kewaunee reserves the right to make changes at any time without notice.

# Ceiling Service Panel

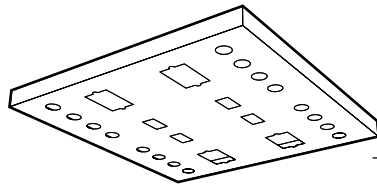
## Features:

- Designed to integrate into common ceiling grids for delivering plumbing, electrical, and data services to the lab bench
- Fits in standard 2' x 2' and 2' x 4' ceiling grids
- Electrical devices are UL listed.
- Available in all standard powder coat finish colors
- May be customized to meet your project requirements
- Accommodates multiple lab services including:
  - Common gases, air, vacuum, and water
  - High purity and special gases
  - Power and data
- Accepts multiple fitting options including:
  - Standard or fine control valves
  - Pressure gauges and regulators
  - Quick-connect fittings
  - Communication and data outlets
  - Electrical service outlets



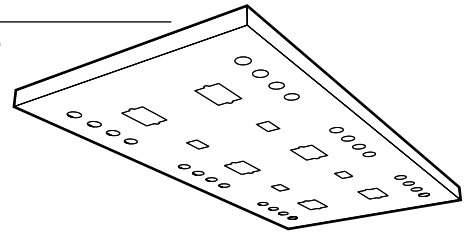
# Ceiling Service Panel

## Typical Ceiling Panel Layouts



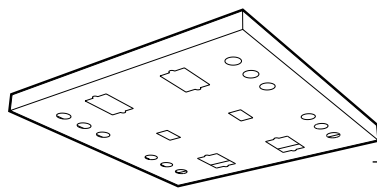
### Six Station – 2' x 4' panel

Six groups of 4 service cutouts  
Six power receptacle cutouts  
Four data outlet cutouts



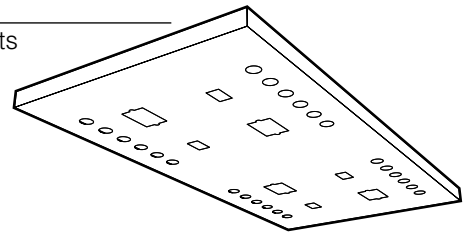
### Four Station – 2' x 2' panel

Four groups of 4 service cutouts  
Four power receptacle cutouts  
Four data outlet cutouts



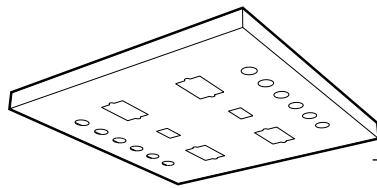
### Four Station – 2' x 4' panel

Four groups of 6 service cutouts  
Four power receptacle cutouts  
Four data outlet cutouts



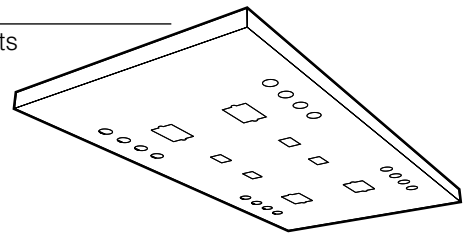
### Four Station – 2' x 2' panel

Four groups of 3 service cutouts  
Four power receptacle cutouts  
Two data outlet cutouts



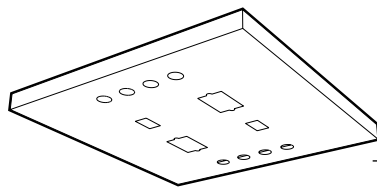
### Four Station – 2' x 4' panel

Four groups of 4 service cutouts  
Four power receptacle cutouts  
Four data outlet cutouts



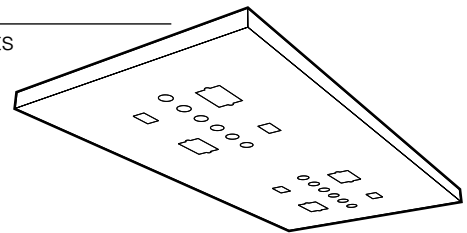
### Two Station – 2' x 2' panel

Two groups of 6 service cutouts  
Four power receptacle cutouts  
Two data outlet cutouts



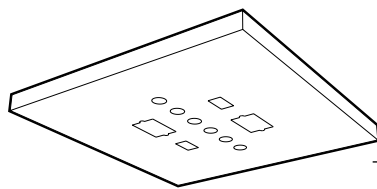
### Two Station – 2' x 4' panel

Two groups of 6 service cutouts  
Four power receptacle cutouts  
Four data outlet cutouts



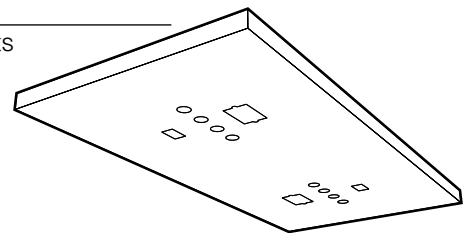
### Two Station – 2' x 2' panel

Two groups of 4 service cutouts  
Two power receptacle cutouts  
Two data outlet cutouts



### Two Station – 2' x 4' panel

Two groups of 4 service cutouts  
Two power receptacle cutouts  
Two data outlet cutouts



### One Station – 2' x 2' panel

One group of 6 service cutouts  
One power receptacle cutout  
One data outlet cutout

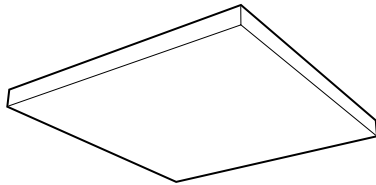
# Ceiling Service Panel Accessories

**Ceiling Service Panels** are fabricated from powder coat 12 gauge steel in two sizes to fit standard ceiling grid. They can be punched to accept most electrical, data, or service fittings. **Fittings and Fixtures must be ordered separately**

**Electrical Fixtures** are furnished complete with device, box and cover plate and are supplied loose, uninstalled.

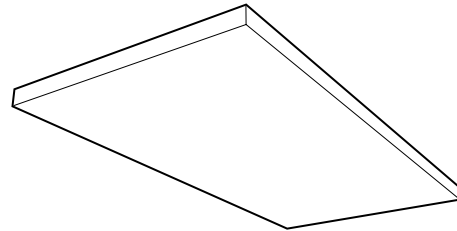
**Power Cords** are required to carry power from the overhead service carriers to the support frame. The SJ 12/3 and SJ 12/4 cords are available in various configurations.

## 24" x 24" Ceiling Service Panel



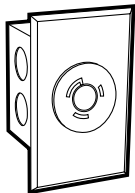
Part Number	Dimensions (HxDxL)
<b>SC10M022424-00</b>	1½" x 24" x 24"

## 24" x 48" Ceiling Service Panel



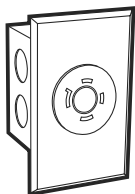
Part Number	Dimensions (HxDxL)
<b>SC10M022448-00</b>	1½" x 24" x 48"

## Electrical Fixtures



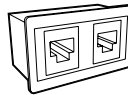
### Twist-lock Single-circuit 20 amp

**0620-1K** Black  
NEMA L5-20 3-wire, specification grade, 120 VAC, 20 amp, single receptacle.



### Dual-circuit Twist-lock 20 amp

**0624-1K** Black  
NEMA L14-20 4-wire, specification grade receptacle. Capable of carrying two 120 VAC, 20 amp circuits.  
**Note:** Check local electrical codes for compliance.

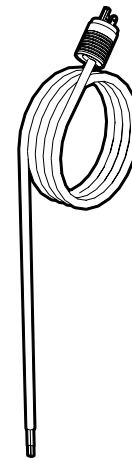


### RJ45 8P8C Data/Comm Outlet

**0720-0K-6** Cat-6 Black  
**0720-0V-6** Cat-6 Ivory  
**0720-0K-6a** Cat-6a Black  
**0720-0V-6a** Cat-6a Ivory

(2) RJ45 8P8C Outlets  
Fits in 1¼" x 2" cutout.

## Power Cords



### Single-circuit 3-wire

120 VAC — 20A — NEMA L5-20

Part Number	Length	Plug Type
<b>W-5622-36</b>	36"ATOP	Twist-Lock
<b>W-5622-48</b>	48"ATOP	Twist-Lock
<b>W-5622-60</b>	60"ATOP	Twist-Lock
<b>W-5622-72</b>	72"ATOP	Twist-Lock
<b>W-5622-96</b>	96"ATOP	Twist-Lock

### Dual-circuit 4-wire

120 VAC — 20A — NEMA L14-20

Part Number	Length	Plug Type
<b>W-5624-36</b>	36"ATOP	Twist-Lock
<b>W-5624-48</b>	48"ATOP	Twist-Lock
<b>W-5624-60</b>	60"ATOP	Twist-Lock
<b>W-5624-72</b>	72"ATOP	Twist-Lock
<b>W-5624-96</b>	96"ATOP	Twist-Lock

# Ceiling Service Panel Accessories

**Service Hoses** are required to carry services from overhead service panel to the workstation column. They are available in reinforced PVC, polyurethane, or braided stainless steel. PVC hoses are available in 9 colors to match quick-connect color codes.

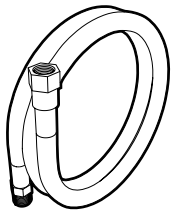
**Keyed Quick-Connect Fittings** are available for Hoses to ease service connection and disconnection during bench relocation. They are available in eight sizes (keys) which keeps service outlets from being connected to the wrong service.

Specify PVC hose color by placing color code at end of hose part number.

**Example:** W-1133-36-02 for Orange hose

## Extension Service Hoses

## Hose/Cord Wrap

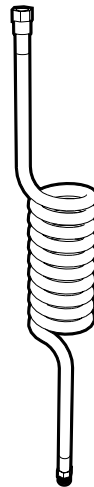


**Reinforced PVC Hose**  
for Non-burning Gases  
3/8" IPS Female Inlet  
3/8" IPS Male Outlet

Length	Part Number
36"	W-1133-36-0_
48"	W-1133-48-0_
60"	W-1133-60-0_
72"	W-1133-72-0_
96"	W-1133-96-0_

**Braided Stainless Steel Hose**  
for Natural & Reactive Gases  
3/8" IPS Female Inlet  
3/8" IPS Male Outlet

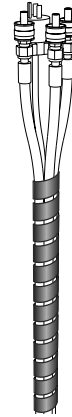
Length	Part Number
36"	W-1233-36-00
48"	W-1233-48-00
60"	W-1233-60-00
72"	W-1233-72-00
96"	W-1233-96-00



**Coiled Polyurethane Hose**

for Non-burning Gases  
3/8" IPS Female Inlet  
3/8" IPS Male Outlet

Length	Part Number
72"	W-1533-72



**Poly Hose Wrap**

Spiral wrap for bundling service lines and cords. Expandable from 1" to 2" diameter. May be trimmed to length with scissors.

L	Part Number	Color
36"	F-8250-36-BK	Black
36"	F-8250-36-NA	Natural
72"	F-8250-72-BK	Black
72"	F-8250-72-NA	Natural

## Keyed Quick-connect Fittings

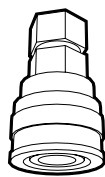
for use on Service Hoses



**Male Hose Mount**  
3/8" IPS Male

Part Number	Key Color
W-8111-K1	Black
W-8111-K2	Orange
W-8111-K3	Green
W-8111-K4	Yellow
W-8111-K5	Blue
W-8111-K6	White
W-8111-K7	Purple
W-8111-K8	Brown

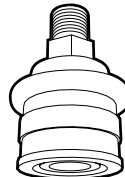
for use on Service Hoses



**Female Hose Mount**  
3/8" IPS Female

Part Number	Key Color
W-9112-K1	Black
W-9112-K2	Orange
W-9112-K3	Green
W-9112-K4	Yellow
W-9112-K5	Blue
W-9112-K6	White
W-9112-K7	Purple
W-9112-K8	Brown

for use on Ceiling Service Panels



**Female Panel Mount**  
3/8" IPS Male

Part Number	Key Color
W-9122-K1	Black
W-9122-K2	Orange
W-9122-K3	Green
W-9122-K4	Yellow
W-9122-K5	Blue
W-9122-K6	White
W-9122-K7	Purple
W-9122-K8	Brown

## Hose Colors

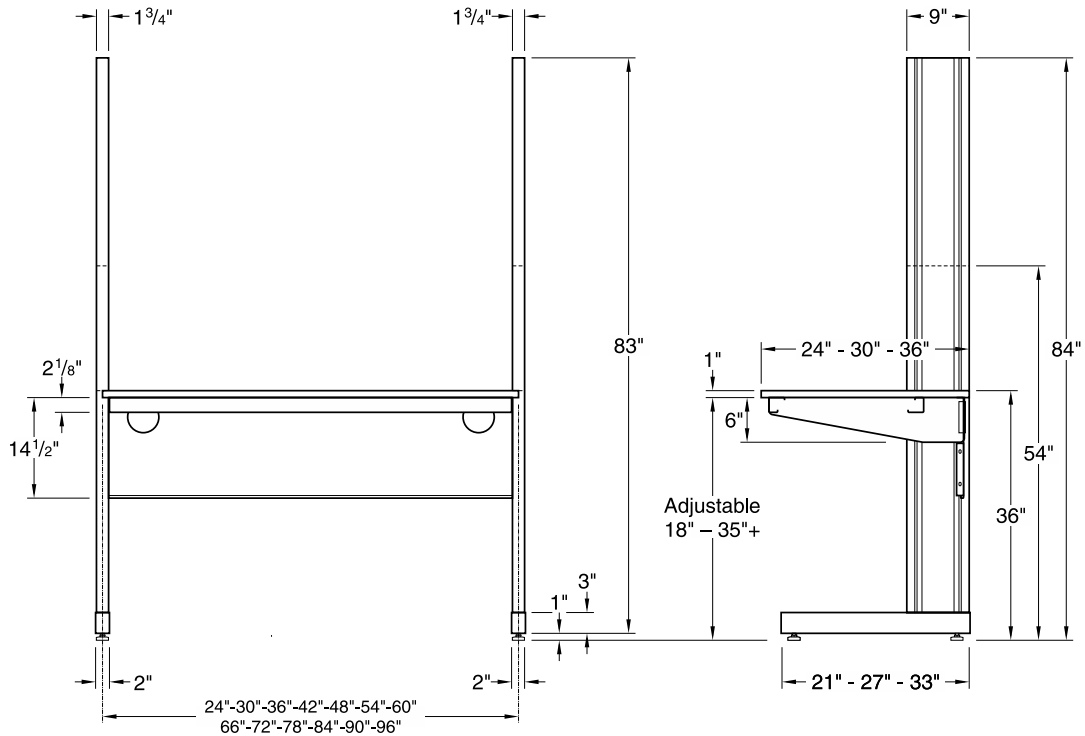
Color Code	Color	Color Code	Color
01	Black	06	White
02	Orange	07	Purple
03	Green	08	Brown
04	Yellow	09	Clear
05	Blue		

## Keyed Quick-connect Fittings

Key Number and Color Code	Standard Service	Female Body Sleeve Dia.		Male Body Sleeve Dia.	
		in.	mm	in.	mm
K1 Black	Helium	1.13	28.7	0.99	25.1
K2 Orange	Air	1.16	29.5	1.02	25.8
K3 Green	Water	1.19	30.2	1.05	26.6
K4 Yellow	Vacuum	1.22	31.0	1.08	27.4
K5 Blue	Gas	1.24	31.5	1.11	28.1
K6 White	—	1.28	32.5	1.14	28.9
K7 Purple	Argon	1.31	33.3	1.17	29.7
K8 Brown	Nitrogen	1.34	34.0	1.20	30.4

# Technical Information

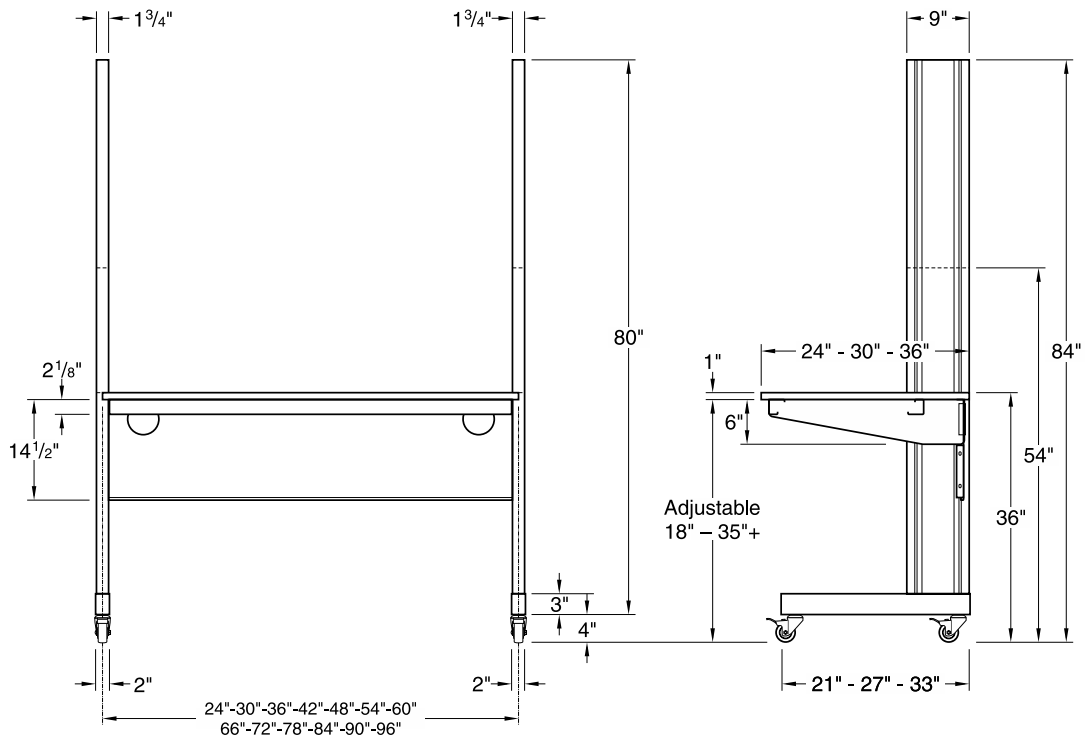
## Dimensions - FV10 & FV11 Single-sided 9" Column Workstation on Glides



FV10MXXXXX-00 Front Elevation

FV10MXXXXX-00 End Elevation

## Dimensions - FV10 & FV11 Single-sided 9" Column Workstation Casters



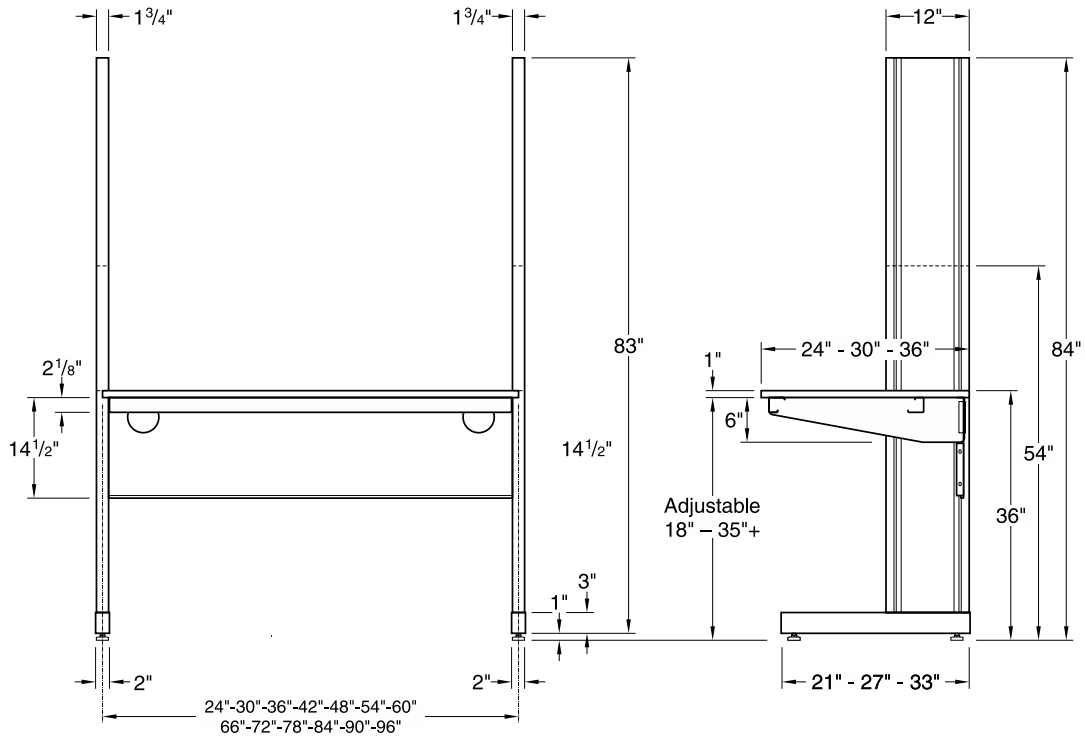
FV10MXXXXX-01 & 02 Front Elevation

FV10MXXXXX-01 & 02 End Elevation



# Technical Information

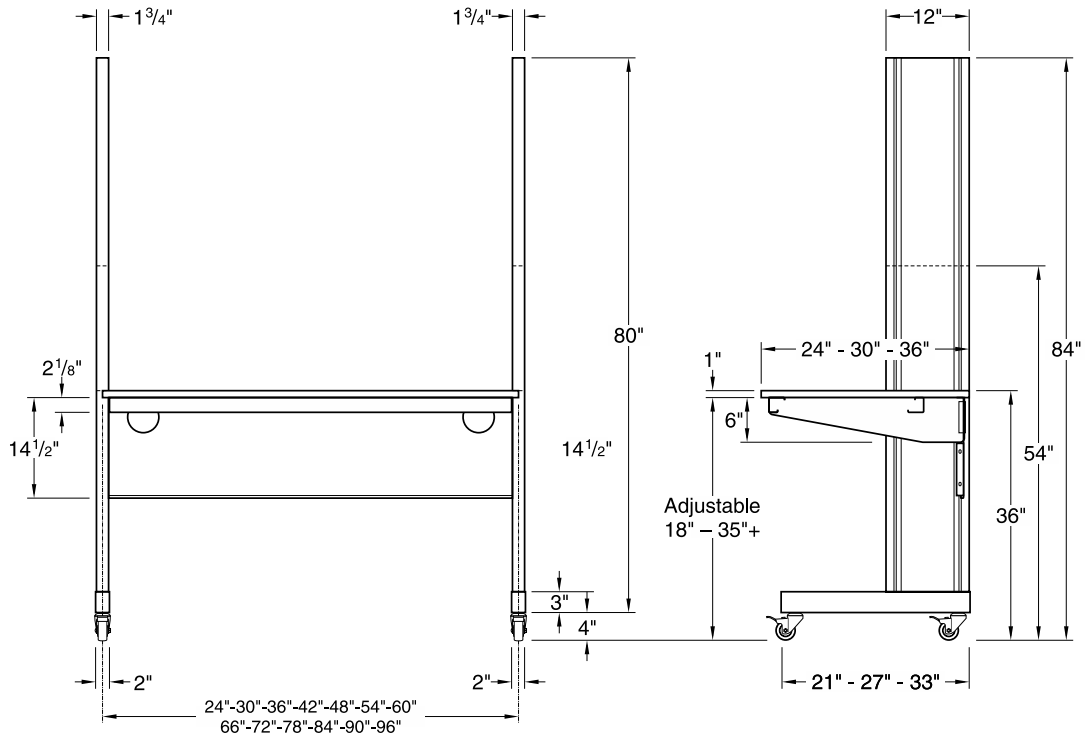
## Dimensions - FV30 & FV31 Single-sided 12" Column Workstation on Glides



FV30MXXXXX-00 Front Elevation

FV30MXXXXX-00 End Elevation

## Dimensions - FV30 & FV31 Single-sided 12" Column Workstation Casters

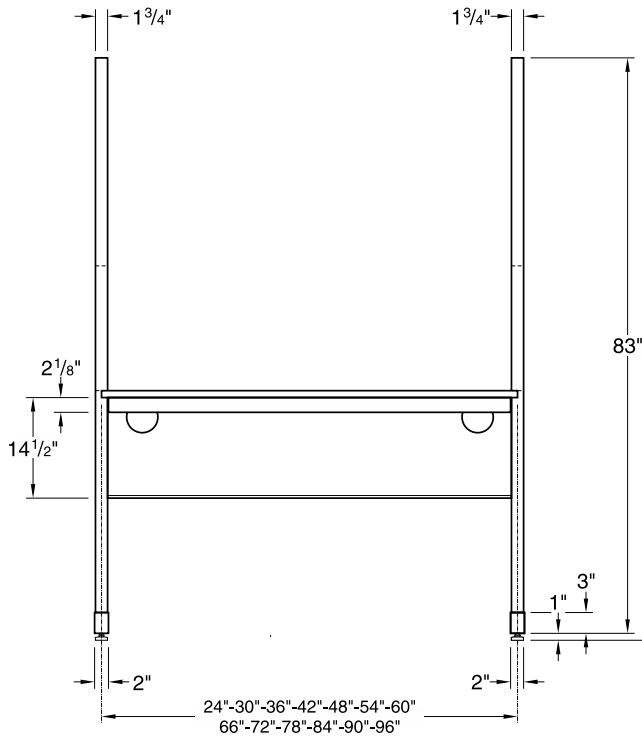


FV30MXXXXX-01 & 02 Front Elevation

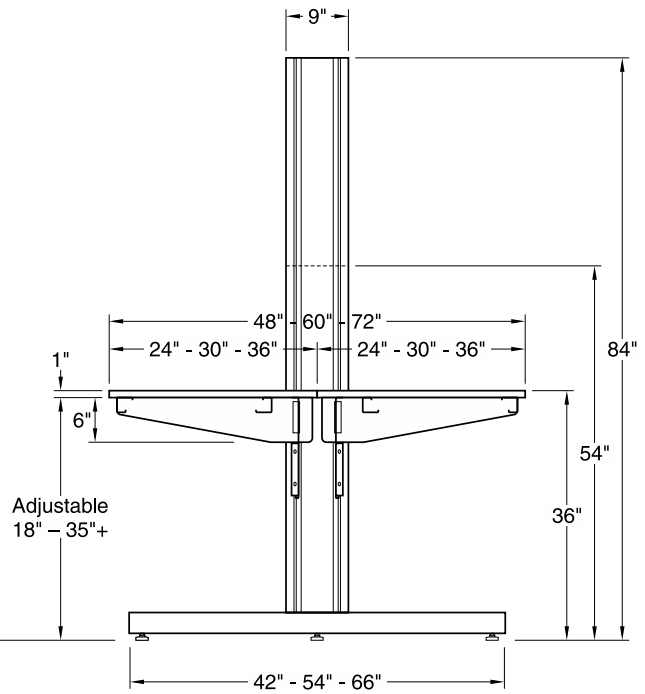
FV30MXXXXX-01 & 02 End Elevation

# Technical Information

## Dimensions - FV20 & FV21 Double-sided 9" Column Workstation on Glides

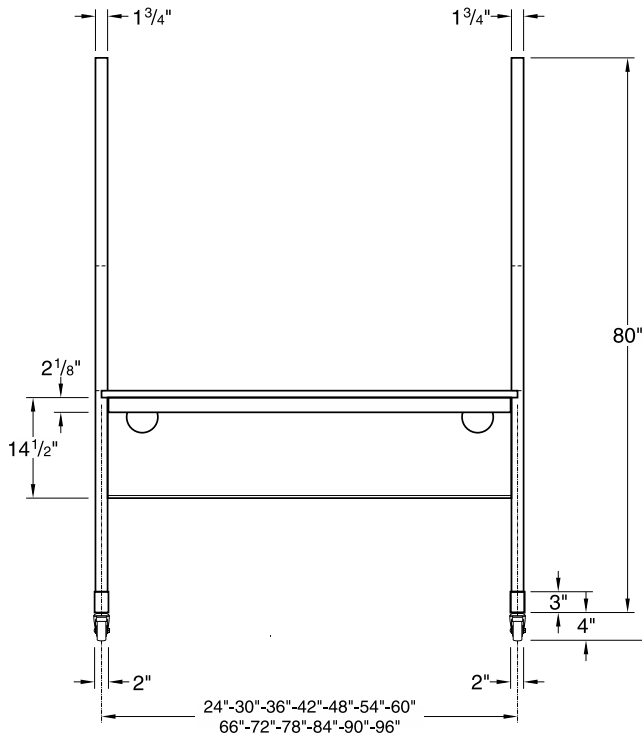


**FV20MX00-00 Front Elevation**

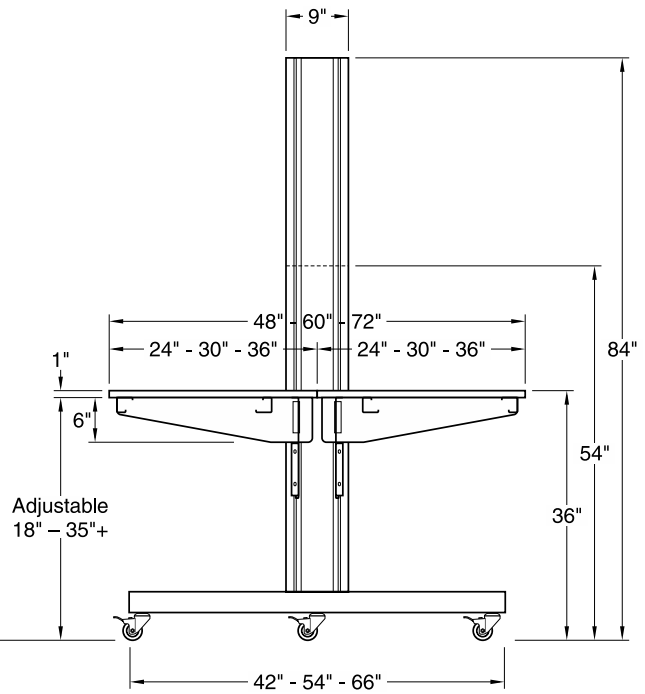


**FV20MX00-00 End Elevation**

## Dimensions - FV20 & FV21 Double-sided 9" Column Workstation Casters



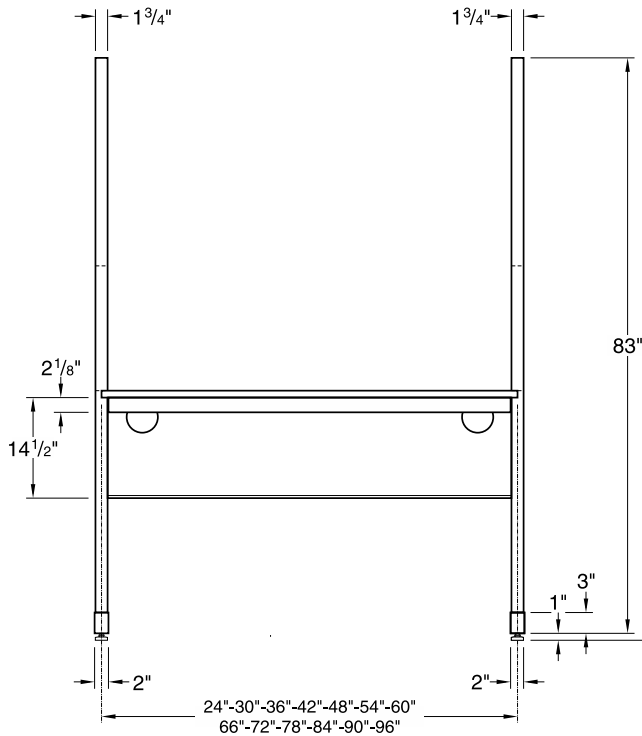
**FV20MX01 & 02 Front Elevation**



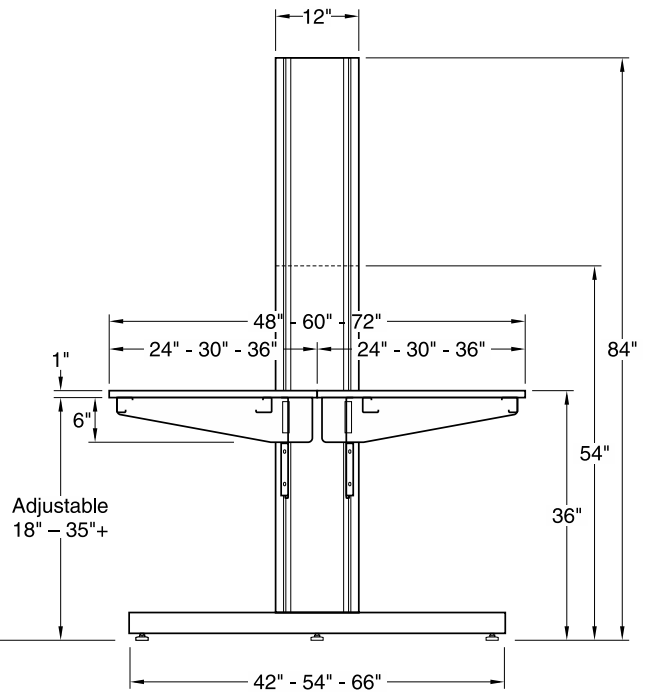
**FV20MX01 & 02 End Elevation**

# Technical Information

## Dimensions - FV40 & FV41 Double-sided 12" Column Workstation on Glides

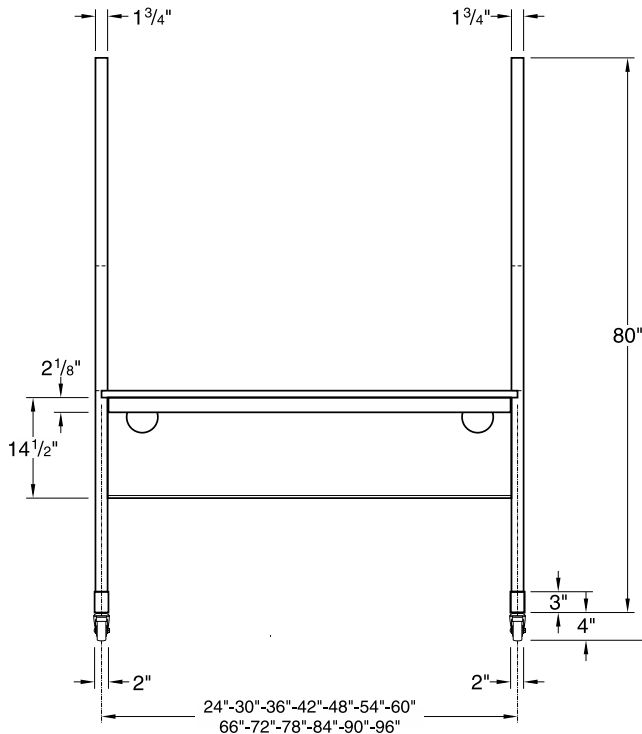


FV40MXXXXX-00 Front Elevation

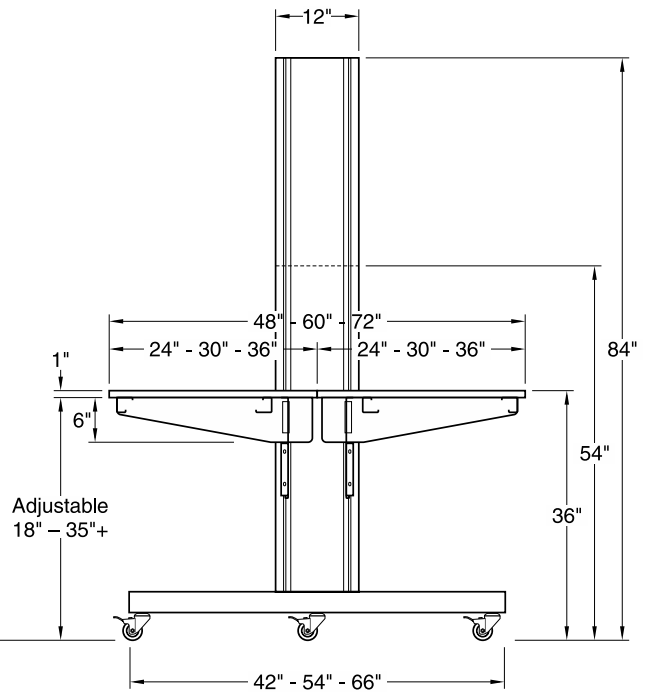


FV40MXXXXX-00 End Elevation

## Dimensions - FV40 & FV41 Double-sided 12" Column Workstation Casters



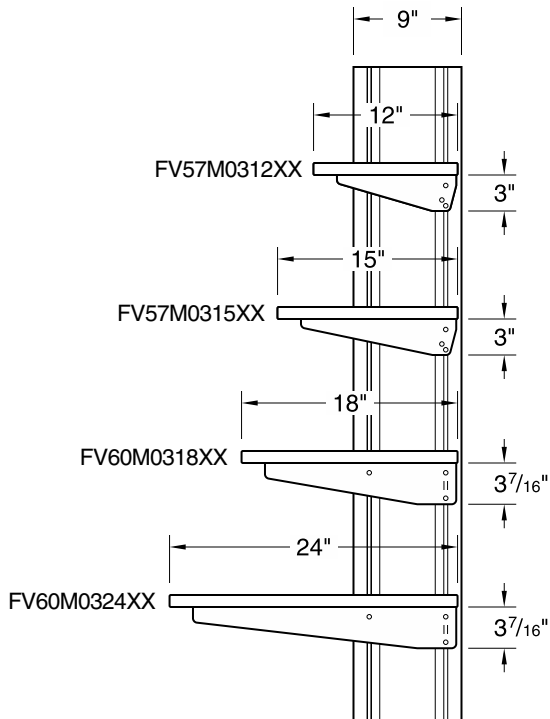
FV40MXXXXX-01 & 02 Front Elevation



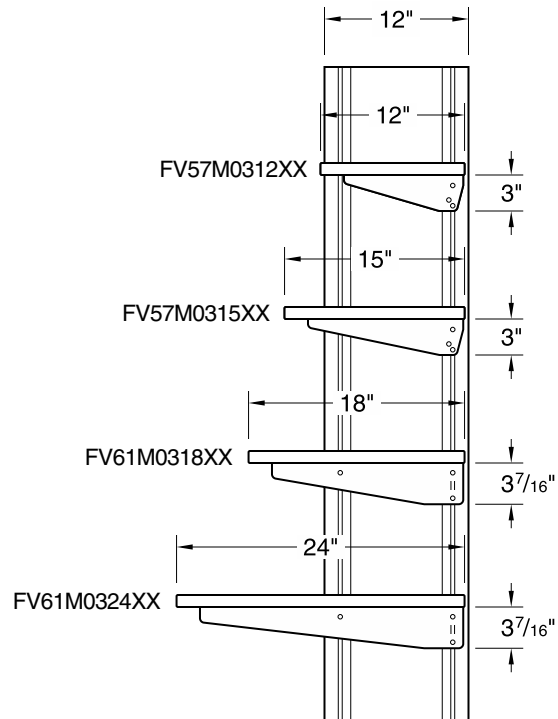
FV40MXXXXX-01 & 02 End Elevation

# Technical Information

## Dimensions - Single-sided Undermount Shelf Assemblies

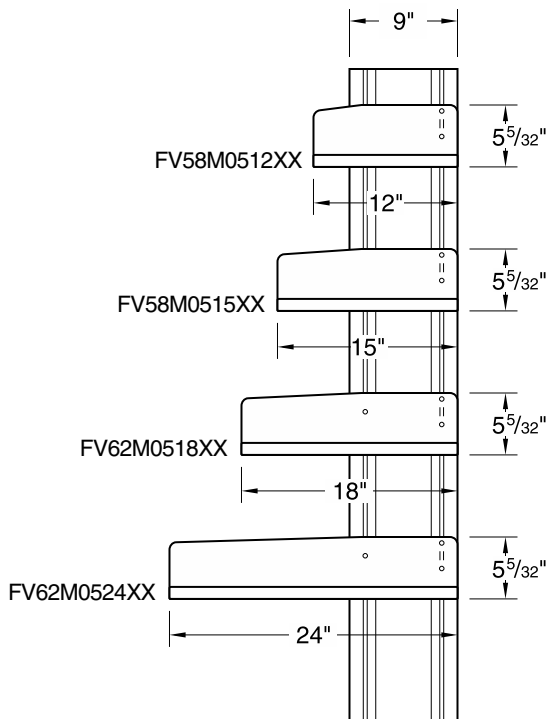


9" Column Section View

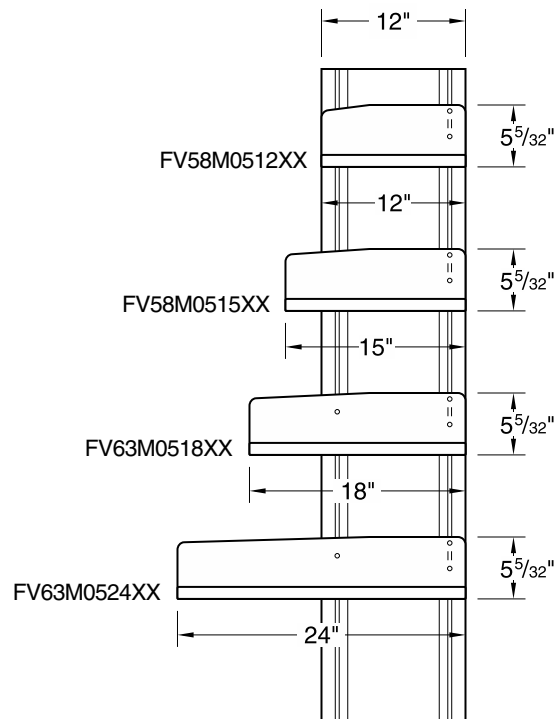


12" Column Section View

## Dimensions - Single-sided Bookend Shelf Assemblies



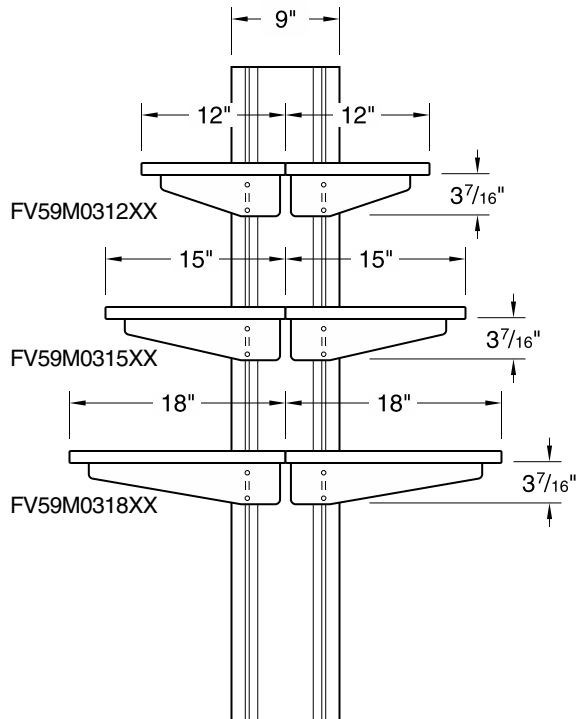
9" Column Section View



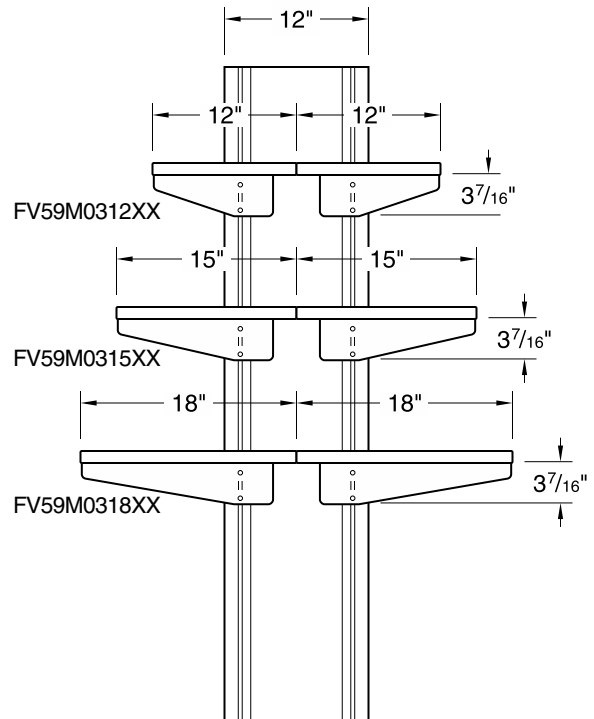
12" Column Section View

# Technical Information

## Dimensions - Double-sided Undermount Shelf Assemblies

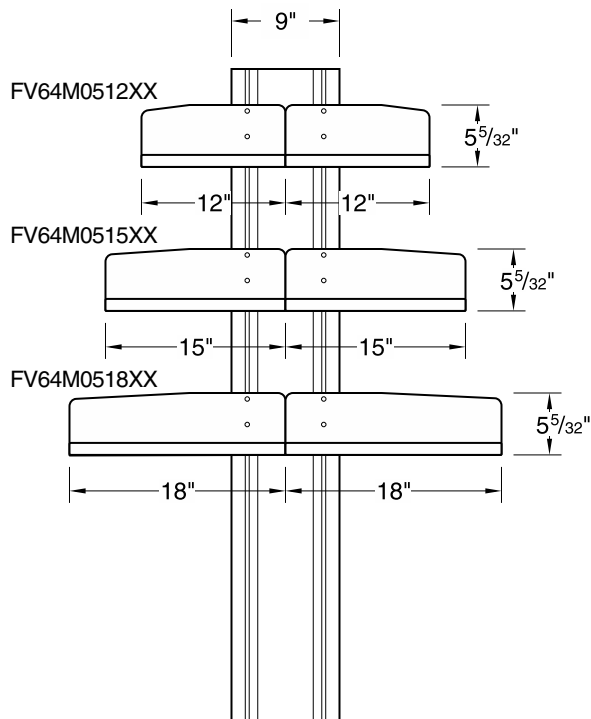


9" Column Section View

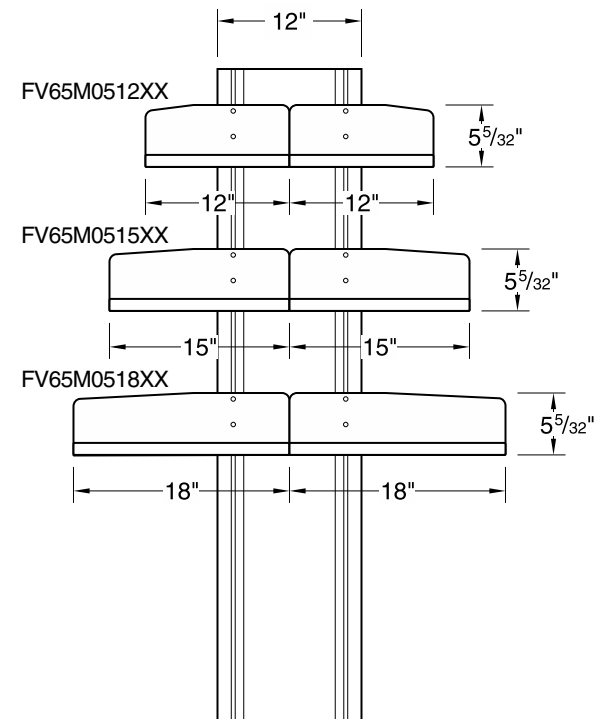


12" Column Section View

## Dimensions - Double-sided Bookend Shelf Assemblies



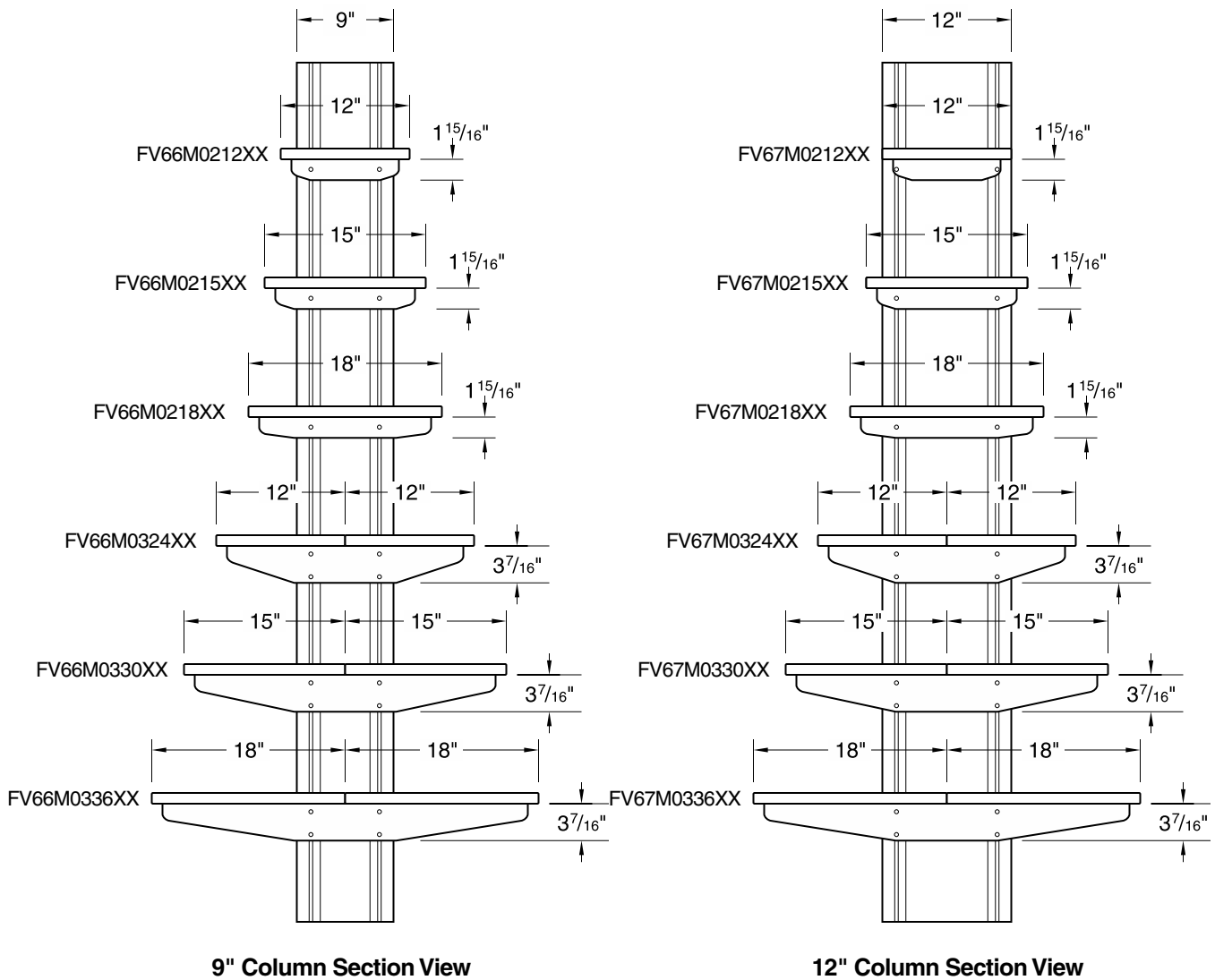
9" Column Section View



12" Column Section View

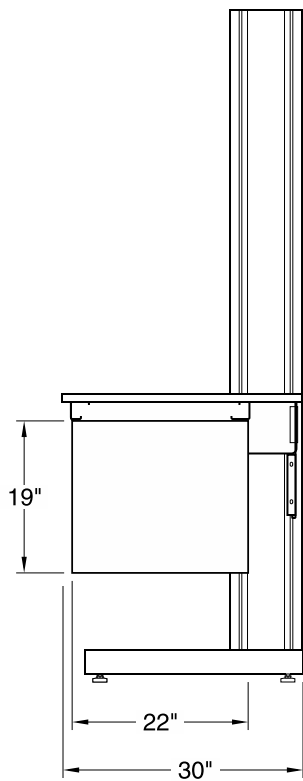
# Technical Information

## Dimensions - Center Undermount Shelf Assemblies

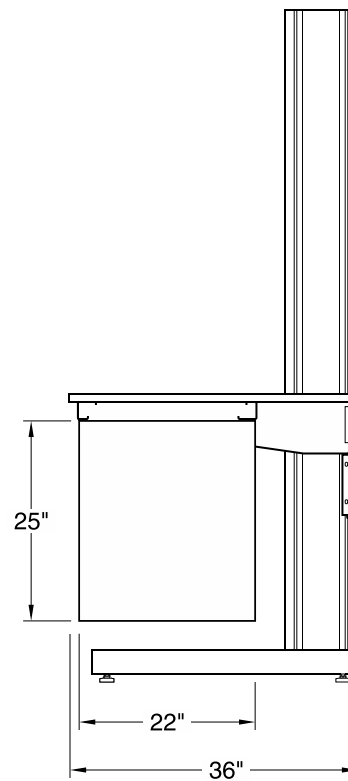


# Technical Information

## Dimensions – Suspended Cabinets

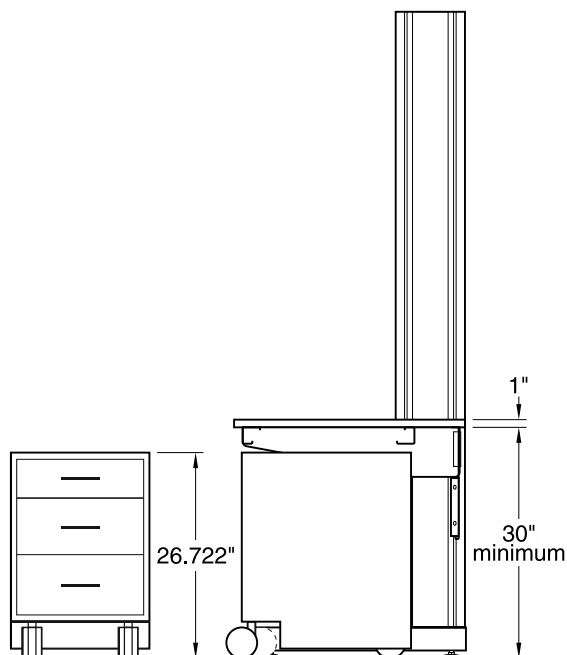


30" Deep Workstation

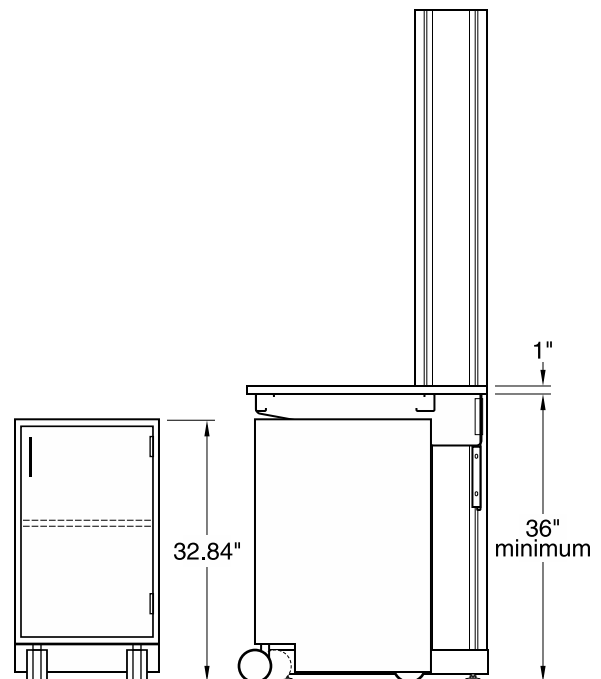


36" Deep Workstation

## Dimensions – Mobile Cabinets



Sitting Height Mobile Cabinet



Standing Height Mobile Cabinet

## Alphabetical Index

Part Description	Page	Part Description	Page
<b>Accessories</b>		<b>Load Ratings</b> . . . . . 2	
Bin Bar . . . . .	39	<b>Mobile Cabinet</b>	
Horizontal Chase . . . . .	40	Grab Bar . . . . .	55
Power Bar . . . . .	37	Tops . . . . .	55
Tack Panels . . . . .	38	Add-A-Drawer . . . . .	54
Mobile Floor Shelving . . . . .	34	Steel . . . . .	52
<b>Cabinets</b>		Wood . . . . .	50
Cabinet Door & Drawer Styles . . . . .	47	<b>Part Number Explanation</b> . . . . . 2	
Cabinet Part Number Explanation . . . . .	48	<b>Shelving</b>	
Mobile Cabinets . . . . .	50	Single-sided for 9" Column . . . . .	22
Suspended Base Cabinets - 19" High . . . . .	56	Single-sided for 12" Column . . . . .	27
Suspended Base Cabinets - 25" High . . . . .	58	Double-sided for 9" Column . . . . .	24
Suspended Drawer Units . . . . .	61	Double-sided for 12" Column . . . . .	29
<b>Ceiling Service Panels</b> . . . . . 74		Center for 9" Column . . . . .	26
Electric/Data Fixtures . . . . .	76	Center for 12" Column . . . . .	31
Hose Wrap . . . . .	77	Shelf Brackets . . . . .	32
Keyed Quick-connect Fittings . . . . .	77	<b>Upper Storage Cabinets</b>	
Polyurethane Hose . . . . .	77	Sliding Glazed Doors . . . . .	63 & 67
Power Cords . . . . .	76	Sliding Panel Doors . . . . .	63 & 68
RJ45 8P8C Data/Com Outlets . . . . .	76	Sliding Plate Glass Doors . . . . .	62 & 66
Twist-lock Receptacles . . . . .	76	Swinging Glazed Doors . . . . .	64 & 69
<b>Columns</b> . . . . . 20		Swinging Panel Doors . . . . .	64 & 70
Column Foot Options . . . . .	5	<b>Upper Storage Cabinets — Pass-thru</b>	
Corner Work Tops . . . . .	16	Sliding Glazed Doors . . . . .	65 & 72
<b>Dimensions</b>		Sliding Panel Doors . . . . .	65 & 72
Base Cabinet . . . . .	49	Sliding Plate Glass Doors . . . . .	65 & 71
Mobile Cabinets . . . . .	85	Swinging Glazed Doors . . . . .	65 & 73
Shelving . . . . .	82	Swinging Panel Doors . . . . .	65 & 73
Suspended Cabinets . . . . .	85	<b>Workstations Modules</b>	
Workstations . . . . .	78	Single-sided – 9" Column . . . . .	6
<b>Fittings &amp; Fixtures</b>		Double-sided – 9" Column . . . . .	8
Ball Valves . . . . .	43	Single-sided – 12" Column . . . . .	10
Cord Access Ports . . . . .	45	Double-sided – 12" Column . . . . .	12
Duplex Receptacles . . . . .	44	Corner Modules . . . . .	16
GFCI Receptacles . . . . .	44	<b>Work Tops</b>	
Needle Point Cocks . . . . .	43	Module Work Tops . . . . .	14
Power Cords . . . . .	45	Corner Work Tops . . . . .	16
RJ45 8P8C Data/Com Outlets . . . . .	44	<b>Worksurface Frames</b> . . . . . 18	
<b>Hoses</b>		Module Worksurface Frames . . . . .	18
Extensions Service Hoses . . . . .	77	Corner Worksurface Frames . . . . .	18
Polyurethane Hose . . . . .	77	<b>Lighting</b>	
PVC Hoses . . . . .	42	Fluorescent Overhead Lighting . . . . .	36
Internal Service Hoses . . . . .	42	Fluorescent Tasking Lighting . . . . .	35
Keyed Quick-connect Fittings . . . . .	42 & 77	LED Overhead Lighting . . . . .	36
Stainless Steel Hoses . . . . .	42	LED Task Lighting . . . . .	35



## Numerical Index

Part Number	Page	Part Number	Page	Part Number	Page
0620-1K	– 0624-1K . . . . .	76	FV61M031824-	– FV61M032496- . . . . .	27
0720-0K-6	– 0720-0V-6a . . . . .	76	FV61M0318PR-00-	– FV61M0324PR-00 . . . . .	32
C03C192215-	– C03C192224L . . . . .	56	FV62M051824-	– FV62M052496- . . . . .	23
C03C252215-	– C03C252224L . . . . .	58	FV62M0518PR-00-	– FV62M0524PR-00 . . . . .	32
C03W202215-	– C03W202224L . . . . .	56	FV63M051824-	– FV63M052496- . . . . .	28
C03W262215-	– C03W262224L . . . . .	58	FV63M0518PR-00-	– FV63M0524PR-00 . . . . .	32
D00C062216-	– D00C132224- . . . . .	61	FV64M051224-	– FV64M051896- . . . . .	25
D00C192215-	– D00C192224- . . . . .	56	FV64M0512PR-00-	– FV64M0518PR-00 . . . . .	33
D00C252215-	– D00C252224- . . . . .	58	FV65M051224-	– FV65M051896- . . . . .	30
D00W202215-	– D00W202224- . . . . .	56	FV65M0512PR-00-	– FV65M0518PR-00 . . . . .	33
D00W262215-	– D00W262224- . . . . .	58	FV66M021224-	– FV66M033696- . . . . .	26
D08C252215-	– D08C252224- . . . . .	58	FV66M0212PR-00-	– FV66M0336PR-00 . . . . .	33
D08W262215-	– D08W262224- . . . . .	58	FV67M021224-	– FV67M033696- . . . . .	31
D10C252215-	– D10C252224- . . . . .	58	FV67M0212PR-00-	– FV67M0336PR-00 . . . . .	33
D10W262215-	– D10W262224- . . . . .	58	FV70M020224-00-	– FV70S020296-00 . . . . .	39
D30C192215-	– D30C192224- . . . . .	56	FV72M040824-00-	– FV72M041196-00 . . . . .	40
D30C252215-	– D30C252224- . . . . .	59	FV73M120224-00-	– FV73M240296-00 . . . . .	38
D30W202215-	– D30W202224- . . . . .	56	FV79M042124-00-	– FV79M043396-00 . . . . .	34
D30W262215-	– D30W262224- . . . . .	59	FV80M062424-	– FV81M063696- . . . . .	18
D50C192215-	– D50C192224- . . . . .	56	FV82M062424-	– FV83M063696- . . . . .	19
D50W202215-	– D50W202224- . . . . .	56	FV90_012424-	– FV91_017296- . . . . .	14
D81C192215-	– D81C192224- . . . . .	57	FV92_012424-	– FV93_017296- . . . . .	15
D81C252215-	– D81C252224- . . . . .	59	FV94_012426-	– FV95_013652- . . . . .	16
D81W202215-	– D81W202224- . . . . .	57	FV96_012426-	– FV97_013652- . . . . .	17
D81W262215-	– D81W262224- . . . . .	59	FV-D620-1K-6	– FV-D620-1W-6a . . . . .	44
D85C192215-	– D85C192224- . . . . .	57	FV-H581-1K	– FV-H581-6W . . . . .	44
D85C252215-	– D85C252224- . . . . .	59	FV-S581-1K	– FV-S581-6W . . . . .	44
D85W202215-	– D85W202224- . . . . .	57	FV-S656-1K	– FV-S656-6W . . . . .	44
D85W262215-	– D85W262224- . . . . .	59	FV-S681-1K	– FV-S681-6W . . . . .	44
D86C192215-	– D86C192224- . . . . .	57	FW10C301330-	– FW10C303248- . . . . .	62
D86W202215-	– D86W202224- . . . . .	57	FW10C301354-	– FW10C303296- . . . . .	66
E40C252215-	– E40C252224L . . . . .	60	FW10W301230-	– FW10W303248- . . . . .	62
E40W262215-	– E40W262224L . . . . .	60	FW10W301254-	– FW10W303296- . . . . .	66
F-5314-00	– F-5316-00 . . . . .	35	FW11C301330-	– FW11C303248- . . . . .	63
F73M0015-00	– F73S0024-00 . . . . .	55	FW11C301354-	– FW11C303296- . . . . .	67
F-8250-36-BK	– F8250-72-NA . . . . .	77	FW11W301230-	– FW11W303248- . . . . .	63
F-8421-00	– . . . . .	45	FW11W301254-	– FW11W303296- . . . . .	67
F94M2215-00	– F94M2214-00 . . . . .	55	FW12C301330-	– FW12C303248- . . . . .	63
F94P2215-00	– F94T2424-00 . . . . .	55	FW12C301354-	– FW12C303296- . . . . .	68
FV01M362402-	– FV04M847202- . . . . .	20	FW12W301230-	– FW12W303248- . . . . .	63
FV10M362424-	– FV11M843696- . . . . .	6	FW12W301254-	– FW12W303296- . . . . .	68
FV14M062426-	– FV15M063652- . . . . .	16	FW13C301630-	– FW13C302248- . . . . .	65
FV20M364824-	– FV21M847296- . . . . .	8	FW13C301654-	– FW13C302296- . . . . .	71
FV30M362424-	– FV31M843696- . . . . .	10	FW13W301630-	– FW13W302248- . . . . .	65
FV34M062426-	– FV35M063652- . . . . .	16	FW13W301654-	– FW13W302296- . . . . .	71
FV40M364824-	– FV41M847296- . . . . .	12	FW14C301630-	– FW14C302248- . . . . .	65
FV50M030224-1-	– FV52M032296-2 . . . . .	37	FW14C301654-	– FW14C302296- . . . . .	72
FV52M031624-00-	– FV52M032296-00 . . . . .	36	FW14W301630-	– FW14W302248- . . . . .	65
FV53M031624-00-	– FV53M032296-00 . . . . .	36	FW14W301654-	– FW14W302296- . . . . .	72
FV57M031224-	– FV57M031596- . . . . .	22&27	FW15C301630-	– FW15C302248- . . . . .	65
FV57M0312PR-00-	– FV57M0315PR-00 . . . . .	32	FW15C301654-	– FW15C302296- . . . . .	72
FV58M051224-	– FV58M051596- . . . . .	23&28	FW15W301630-	– FW15W302248- . . . . .	65
FV58M0512PR-00-	– FV58M0515PR-00 . . . . .	32	FW15W301654-	– FW15W302296- . . . . .	72
FV59M031224-	– FV59M031896- . . . . .	24&29	FW20C301330-	– FW20C303248- . . . . .	64
FV59M0312PR-00-	– FV59M0318PR-00 . . . . .	33	FW20C301354-	– FW20C303296- . . . . .	69
FV60M031824-	– FV60M032496- . . . . .	22	FW20W301254-	– FW20W303296- . . . . .	69
FV60M0318PR-00-	– FV60M0324PR-00 . . . . .	32	FW23C301630-	– FW23C302248- . . . . .	65
			FW23C301654-	– FW23C302296- . . . . .	73
			FW23W301630-	– FW23W302248- . . . . .	65
			FW23W301654-	– FW23W302296- . . . . .	73
			FW25C301354-	– FW25C303296- . . . . .	70
			FW25W301230-	– FW25W303248- . . . . .	64
			FW25W301254-	– FW25W303296- . . . . .	70
			FW28C301630-	– FW28C302248- . . . . .	65
			FW28C301654-	– FW28C302296- . . . . .	73
			FW28W301630-	– FW28W302248- . . . . .	65
			FW28W301654-	– FW28W302296- . . . . .	73
			M10C272215-	– M10C272224L . . . . .	52
			M10C332215-	– M10C332224L . . . . .	53
			M10W272215-	– M10W272224L . . . . .	50
			M10W332215-	– M10W332224L . . . . .	51
			M15W272215-	– M15W272224L . . . . .	50
			M15W332215-	– M15W332224L . . . . .	51
			M20C272215-	– M20C272224L . . . . .	52
			M20C332215-	– M20C332224L . . . . .	53
			M20W272215-	– M20W272224L . . . . .	50
			M20W332215-	– M20W332224L . . . . .	51
			M25C272215-	– M25C272224L . . . . .	52
			M25C332215-	– M25C332224L . . . . .	53
			M25W272215-	– M25W272224L . . . . .	50
			M25W332215-	– M25W332224L . . . . .	51
			M30C272215-	– M30C272224- . . . . .	52
			M30W272215-	– M30W272224- . . . . .	50
			M35C272215-	– M35C272224- . . . . .	52
			M35W272215-	– M35W272224- . . . . .	50
			M40C332215-	– M40C332224- . . . . .	53
			M40W272215-	– M40W272224- . . . . .	50
			M45C272215-	– M45C272224- . . . . .	52
			M45W272215-	– M45W272224- . . . . .	51
			M46C332215-	– M46C332224- . . . . .	53
			M50W272215-	– M50W272224- . . . . .	51
			M56C332215-	– M56C332224- . . . . .	53
			M60W272215-	– M60W272224- . . . . .	50
			M62C272215-	– M62C272224- . . . . .	52
			M62W272215-	– M62W272224- . . . . .	50
			M62W272215-	– M62W272224- . . . . .	51
			M63W272215-	– M63W272224- . . . . .	51
			M65W272215-	– M65W272224- . . . . .	50
			M66C272215-	– M66C272224- . . . . .	52
			M67W272215-	– M67W272224- . . . . .	51
			M68C332215-	– M68C332224- . . . . .	53
			M71C332215-	– M71C332224- . . . . .	52
			M75W272215-	– M75W272224- . . . . .	51
			M90W332215-	– M90W332224L . . . . .	54
			M95W332215-	– M95W332224- . . . . .	54
			SC10M022424-00-	– SC10M022448-00 . . . . .	76
			W-0602-0A	– W-0606-0V . . . . .	43
			W-1133-36-	– W-1233-96- . . . . .	77
			W-1533-72	– . . . . .	77
			W-5621-36	– W-5624-96 . . . . .	45&76
			W-6132E36-	– W-6135E96- . . . . .	42
			W-8111-K1	– W-8111-K8 . . . . .	42
			W-8111-K1	– W-9122-K8 . . . . .	77

Illustrations and specifications are based on most current design and production information available. Kewaunee reserves the right to make changes at any time without notice.

# Typical Installations



# Typical Installations



Kewaunee Scientific Corporation is dedicated to manufacturing high quality products for the laboratory marketplace. We offer **Total Laboratory Solutions, Innovative Designs, and Technological Expertise** with a worldwide distribution network to provide laboratories that are truly World Class.

**Laboratory Products from Kewaunee®:**

ALPHA® – Adaptable Casework System

ALPHA Columns – Expandable Workstations

ALPHA Overhead Carrier Systems

BasikBench® – Welded C-Leg Bench

DetectAir – Filtered/Ductless Fume Hoods

EarthLine® – Environmentally Friendly Casework

Enterprise® – Moveable Workstations

Evolution® – Column Based Workstations

Interceptor® – Biological Safety Cabinet

Interceptor® – Laminar Flow Cabinet

Kemresin® – Epoxy Resin Counters & Sinks

Kewaunee Matrix® – Educational Stations

Research Collection® – Steel Casework

Signature® Series – Wood Casework

Spektrum – Laminate Architectural Millwork

Sturdilite® – Flexible Pedestal System

Supreme Air® – Fume Hoods

For our complete product offering, specifications, catalogs, brochures, case studies, and dealer list, go to [www.kewaunee.com](http://www.kewaunee.com), or contact your local sales representative directly.



Kewaunee, Alpha, Basic Bench, EarthLine, Enterprise, Evolution, Interceptor, Kemresin, Kewaunee Matrix, Research Collection, Signature, Sturdilite, and Supreme Air are registered trademarks of Kewaunee Scientific Corporation



P.O. Box 1842 • Statesville, NC 28687-1842  
Phone: (704) 873-7202 • Fax: (704) 873-5160  
E-mail: [kscmarketing@kewaunee.com](mailto:kscmarketing@kewaunee.com)  
Web Site: [www.kewaunee.com](http://www.kewaunee.com)

**Kewaunee Labway India Pvt. Ltd.**

No. CA-9A, 2nd Floor, Jigani Link Road  
Jigani, Bangalore 562 106, India  
Phone: 9180-27826725 • Fax: 9180-27826724  
Web Site: [www.kewaunee.in](http://www.kewaunee.in)

**Kewaunee Labway Asia Pte. Ltd.**

194 Pandan Loop, #06-22  
Pantech Business Hub, Singapore 128 383  
Phone: 65-6773-0288 • Fax: 65-6773-2322

**Kewaunee Scientific (Suzhou) Co Ltd**

333 Xingpu Road, Modern Industrial Square  
Building 4, Unit #2-A • Suzhou Industrial Park • China  
Phone: (0512) 6262 5090 • Fax: (0512) 6262 5089  
Web Site: [china.kewaunee.com](http://china.kewaunee.com)