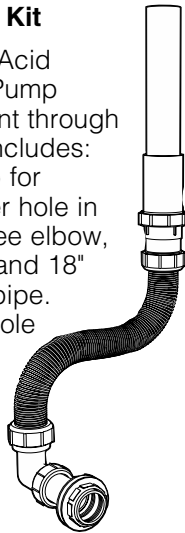


Fume Hood Accessories & Canopy Hoods

Flexible Vent

F-9100-00-FIN Vent Kit

Designed for use with Acid Storage and Vacuum Pump Storage cabinets to vent through fume hood work top. Includes: 1 1/2" IPS threaded stub for mounting in 2" diameter hole in cabinet back, 90 degree elbow, 36" long flexible pipe, and 18" long 1 1/2" IPS straight pipe. (requires 2" diameter hole in work top) Both the flexible pipe and the straight pipe may be cut to size.



Variable Power Controller

0767-00 Powerstat Variable Power Controller

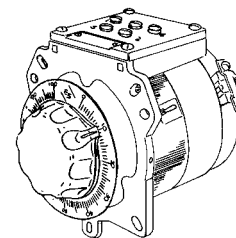
Ratings:

Input: 120 VAC
50/60 hertz, single phase

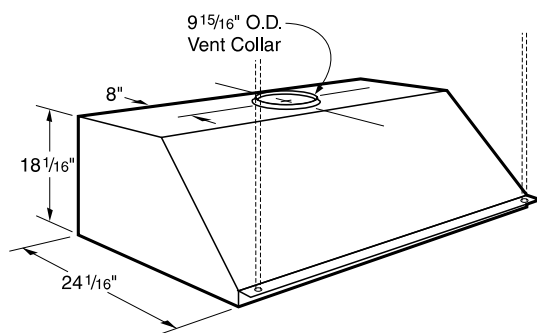
Output: 0-120 VAC
or 0-240 VAC

Max. Load: 10 amp.

Requires separate on/off control.



Canopy Hoods



Canopy Hoods are useful for conducting heat out of laboratories, and can be mounted over tables where hot plates or other heat generating apparatus is located. They are fabricated of cold rolled steel, phosphate coated with a baked chemical resistant, synthetic resin finish, or of type 304 stainless steel. They are available 3 feet, 4 feet, 5 feet, 6 feet and 8 feet long. The painted steel canopies are available with or without a lining of 1/4" thick KMER. Each canopy hood is furnished with a 9 15/16" O.D. vent collar. (8 foot canopies are furnished with two duct collars, 48" on center.) (1/2" diameter support rods to the ceiling are not included.)

KMER Lined Painted Steel	Unlined Painted Steel	Unlined Stainless Steel	
2B-2818-3K-M	2B-2818-30-M	2B-2818-30-S	36"L
2B-2818-4K-M	2B-2818-40-M	2B-2818-40-S	48"L
2B-2818-5K-M	2B-2818-50-M	2B-2818-50-S	60"L
2B-2818-6K-M	2B-2818-60-M	2B-2818-60-S	72"L
2B-2818-8K-M	2B-2818-80-M	2B-2818-80-S	96"L